

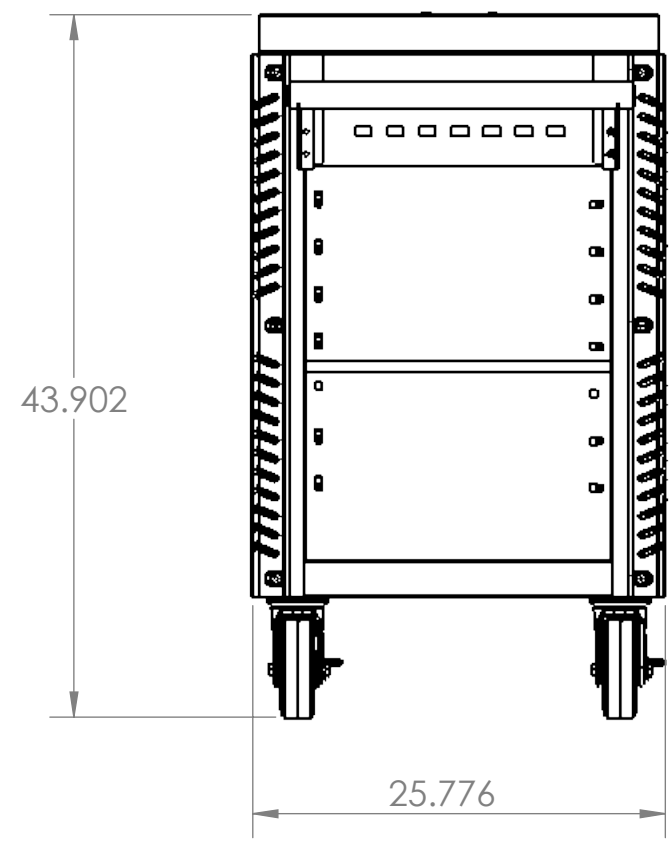
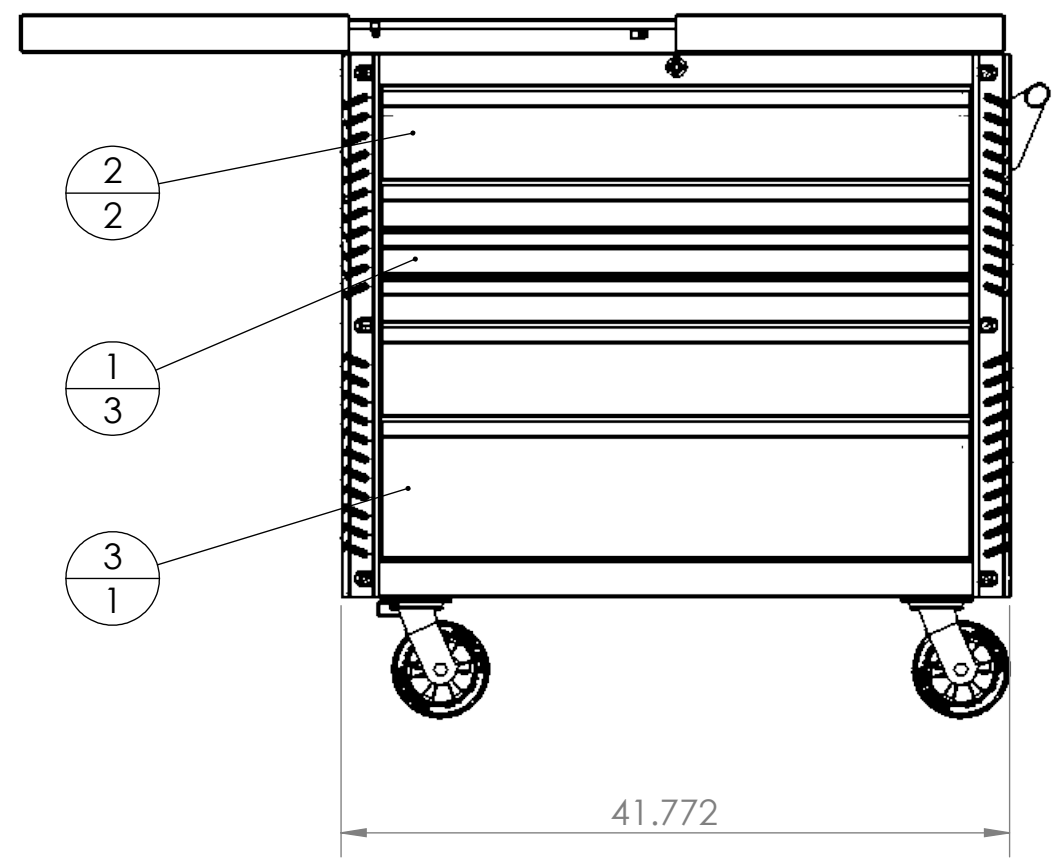
4

3

2

1

B



B

A

| DRAWER No. | WIDTH | | DEPTH | | HEIGHT | |
|------------|-------|-------|-------|-------|--------|------|
| | O.D. | I.D. | O.D. | I.D. | O.D. | I.D. |
| 1 | 36.81 | 36.73 | 23.28 | 22.06 | 2.81 | 2.19 |
| 2 | 36.81 | 36.73 | 23.28 | 22.06 | 5.77 | 5.15 |
| 3 | 36.81 | 36.73 | 23.28 | 22.06 | 8.72 | 8.10 |
| 4 | | | | | | |
| 5 | | | | | | |
| 6 | | | | | | |
| 7 | | | | | | |

A

| OVERALL DIMENSIONS | | |
|--------------------|--------|--------|
| WIDTH | DEPTH | HEIGHT |
| 41.772 | 25.776 | 43.902 |

EX412506TCST SCHEMATIC

4

3

2

1