


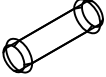

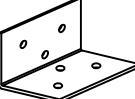



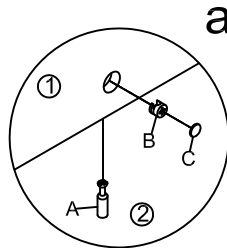
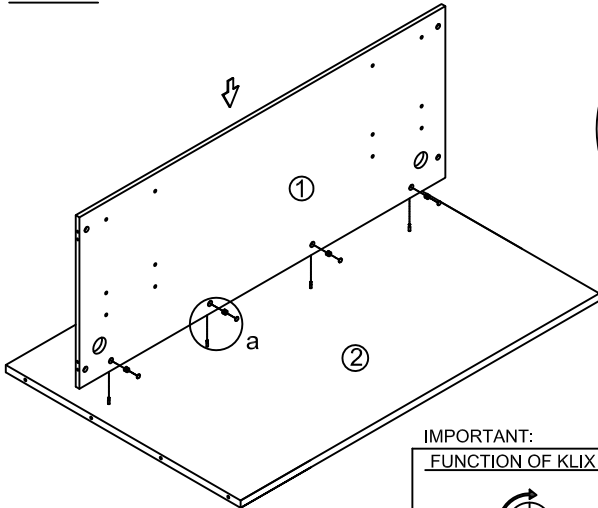


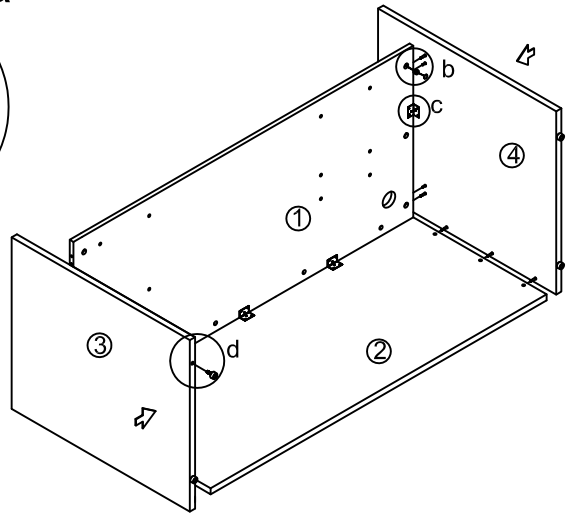
Assembly Instructions
MODEL NO.:N168
 GALLERY DESK

TUN010CL	TUN010KL	C	TUN026	TUN021AG	TUN013LB	TUN018SC	TUN015BG	I
 Cam lock 22Pcs+1Pc(spare)	 Klix Cam 22Pcs+1Pc(spare)	 Cam Cover 22Pcs+1Pc(spare)	 Dowel 9Pcs+1Pc(spare)	 Adjustable Glide 4 PCS	 6Hole L-Bracket 6Pcs	 screw#4*5/8" 36Pcs+1Pc(spare)	 60mm Black Grommet 2 PCS	 Cover 4PCS+1Pc(Spare)


STEP1



STEP2



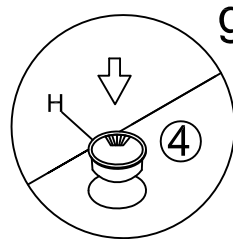
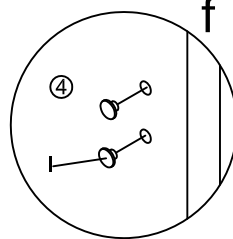
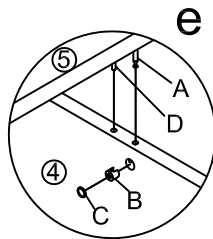
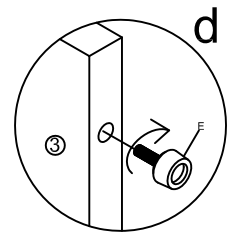
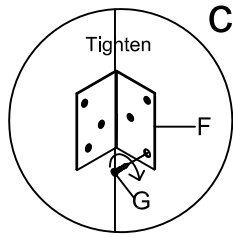
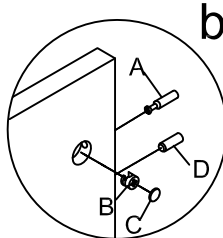
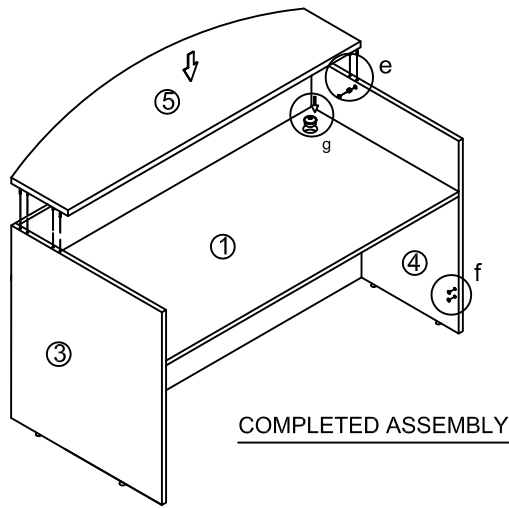
IMPORTANT:
FUNCTION OF KLIX CAM



1/4 RIGHT
 TURN FOR
 LOCKING

MAKE SURE THE ARROW IS
 POING UPWARDS BEFORE
 INSERTING INTO THE PANELS
 HOLE

STEP3



IMPORTANT NOTE:

- Place all laminated parts on a clean and smooth surface such as a rug or carpet to avoid the parts from being scratched.
- Check to be sure that you have all parts and hardware.
- Remove all wrapping materials, including staples & packing straps before you start to assemble.
- Don't tighten all screws/bolts until all completely assembled.
- Keep all hardware parts out of reach of children
- If the product is not working properly, is missing a part, is damaged, or if you have any questions, please call customer service hotline before returning.
- Customer Service Hotline: 1-800-593-1888 For further assembly instructions, please visit our website at www.boschair.com