

# EZ LOADER<sup>®</sup>

AUTOMATIC PALLET POSITIONER

**Bishamon<sup>®</sup>**



# SERVICE MANUAL

United States Patent  
European Patent

5299906  
0512775

USA  
United Kingdom  
France  
Germany

Other Patents Pending



***BISHAMON INDUSTRIES CORPORATION***

**5651 East Francis Street  
Ontario, California 91761, USA  
(909) 390-0055 (800) 231-3187**

***Date Placed in Service:***

***Serial Number:***

***Dealer:***

# DECLARATION OF CONFORMITY

**Name of manufacturer:** Bishamon Industries Corporation

**Address of manufacturer:** 5651 E. Francis Street  
Ontario, California 91761, USA

**Name of Manufacturer's authorized representative:** \_\_\_\_\_  
(Print name)

**The Technical Construction File is maintained at:** IMS  
ZI-Rue Saint Gilles  
28800 BONNEVAL

I hereby declare that the following machinery complies with all the Essential Health and Safety Requirements of the Machinery Directive 2006/42/EC as amended.

**Machinery description:** EZ Loader (Pneumatic Load Positioner)

**Serial no.:** 1105\*\*\*to date

## Transposed Harmonized European Standards used:

EN 12100: 2010	Safety of Machinery – General principles for design – Risk assessment and risk reduction
EN 349: 1993+A1: 2008	Safety of Machinery - Minimum gaps to avoid crushing of parts of the human body
EN 13857: 2008	Safety of Machinery - Safety distances to prevent danger zones being reached by the upper and lower limbs
EN 983:1996+A1:2008	Safety of Machinery - Safety requirements for fluid power systems and components – Pneumatics
EN 14121-1:2007	Safety of Machinery – Risk assessment – Part 1: Principles

## Additional standards used:

ANSI MH29.1-2008 Safety Requirements for Industrial Scissors Lifts

**Name of responsible person:** Robert M. Stone  
**Position of responsible person:** Vice President of Operations

## DECLARATION:

I declare that as the authorized responsible person, the above information in relation to the supply / manufacture of this product is in conformity with the stated standards and other related documents following the provisions of the EC Machinery Directive.

**Signature of responsible person:** Robert M. Stone **date:** 09 / 08 / 2011  
Robert M. Stone day/mth/year

**Signature of authorized representative:** \_\_\_\_\_ **date:** \_\_\_ / \_\_\_ / \_\_\_  
(Print name) day/mth/year

# Table of Contents

---

Contents	Page
Getting Started .....	1
Inspection .....	1
General Warnings.....	1
Safety Warning Label Locations.....	2
Specifications and Specification Drawing.....	3
Recommended Floor Area & Ceiling Height.....	4
Functional Description .....	5
Scissor Blocking Instructions.....	6
Installation .....	7
Installation Instructions.....	8
Quick Set-up.....	9
Set-up Procedure .....	9
Operating Instructions .....	11
Handling Instructions .....	12
Routine Maintenance.....	12

## List of Figures

Figure 1 - Safety Warning Label Locations .....	2
Figure 2 - Specification Drawing .....	3
Figure 3 - Recommended Floor Area & Ceiling Height.....	4
Figure 4 - Functional Drawing.....	5
Figure 5 - Maintenance Bar Operation.....	6
Figure 6 - EZ Loader Pneumatic Components.....	7
Figure 7 - Air Gauge.....	7
Figure 8 - EZ Adjust Knob Positions .....	8
Figure 9 - Handling the EZ Loader.....	9
Figure 10 - EZ Loader Height vs Load Diagram .....	10
Figure 11 - Fitting Disassembly.....	13
Figure 12 - EZ Loader Pneumatic Schematic .....	14

## List Of Charts

Chart 1 - EZ Adjust Capacity Adjustability .....	9
Chart 2 - EZ Loader Performance .....	15

## GETTING STARTED

---

PLEASE READ THIS MANUAL CAREFULLY BEFORE USING THE EZ LOADER. The safety of all persons installing, using or servicing the EZ Loader is of utmost importance to Bishamon. The EZ Loader is capable of supporting heavy loads and is capable of causing SEVERE PERSONAL INJURY if used improperly or if certain safety precautions are not taken. When properly used and maintained, the EZ Loader will provide many years of safe, trouble free service. If you have any questions about any of the instructions in this manual or about the use of this product, PLEASE contact your DEALER or Bishamon Industries Corporation.

## INSPECTION

---

IMMEDIATELY upon receipt of the EZ Loader, remove all packing and strapping material and visually inspect the unit for damage. Any damage to the unit MUST BE NOTED on the delivery receipt. After the preliminary inspection is conducted, the unit should be thoroughly inspected for any concealed damage that was not readily apparent during the preliminary inspection. Any concealed damage found that was not noted on the delivery receipt should be IMMEDIATELY reported in writing TO THE DELIVERING CARRIER.

## SAFETY DEFINITIONS

---

Bishamon uses the following system to identify the degree of risk associated with hazards and unsafe practices.

**WARNING** - Hazard or unsafe practice which, if not avoided, could result in **DEATH** or **SEVERE PERSONAL INJURY** and **PROPERTY DAMAGE**.

**CAUTION** - Hazard or unsafe practice which, if not avoided, may result in **MINOR** or **MODERATE PERSONAL INJURY** and **PROPERTY DAMAGE**.

## GENERAL WARNINGS

---



1. READ THIS MANUAL COMPLETELY BEFORE USING AND THOROUGHLY UNDERSTAND AND FOLLOW ALL SAFETY INSTRUCTIONS.
2. The EZ Loader is designed for use with stable, uniformly distributed loads on a solid level floor. DO NOT concentrate the load at one point on the pallet or platform. ALWAYS uniformly distribute each layer of load over the supporting surface. DO NOT use the EZ Loader for any purpose other than its intended use.
3. SHEARING HAZARD. ALWAYS keep hands and feet clear of the scissor mechanism and all moving components. DO NOT put hands under the platform when in use. SEVERE PERSONAL INJURY could result.
4. CRUSHING HAZARD. ALWAYS keep hands and feet clear of all moving components. DO NOT put feet on the base frame when in use. SEVERE PERSONAL INJURY could result.
5. PINCH POINT HAZARD. ALWAYS keep hands and fingers clear of the underside of the rotator ring. SEVERE PERSONAL INJURY could result.
6. NEVER sit, stand or ride on the platform or rotating surface. Moving components could cause loss of balance. SEVERE PERSONAL INJURY could result.
7. NEVER go under the platform until the load is removed and the scissor mechanism is blocked. SEVERE PERSONAL INJURY could result.
8. NEVER place any load on the EZ Loader with the scissor mechanism blocked. SEVERE PERSONAL INJURY and PROPERTY DAMAGE could result.
9. DO NOT overpressurize or overload the EZ Loader. ALWAYS stay within the designated pressure and capacity ratings. SEVERE PERSONAL INJURY and PROPERTY DAMAGE could result.

10. When removing a loaded pallet, ALWAYS raise the load until the bottom of the pallet clears the top of the EZ Loader before backing up. ALWAYS stay well clear of the load while it is being removed from the EZ Loader. SEVERE PERSONAL INJURY and PROPERTY DAMAGE could result.
11. ALWAYS ensure all safety warning labels are in place and legible. If not, remove the EZ Loader from service and replace the required labels. Refer to Figure 1 for label descriptions and locations.
12. Before servicing any component in the EZ Loader's pneumatic system, ALWAYS open the purge valve and discharge all air pressure. SEVERE PERSONAL INJURY could result.
13. DO NOT inflate the air spring when removed from the EZ Loader. Pressurizing the unrestricted air spring may cause assembly to burst. SEVERE PERSONAL INJURY and PROPERTY DAMAGE could result.

## ⚠ CAUTION

1. ALWAYS use clean dry air to pressurize the system.
2. If the EZ Loader is equipped with the optional semi-live portability, ALWAYS remove the load before engaging the portability wheels.

## SAFETY WARNING LABEL LOCATIONS

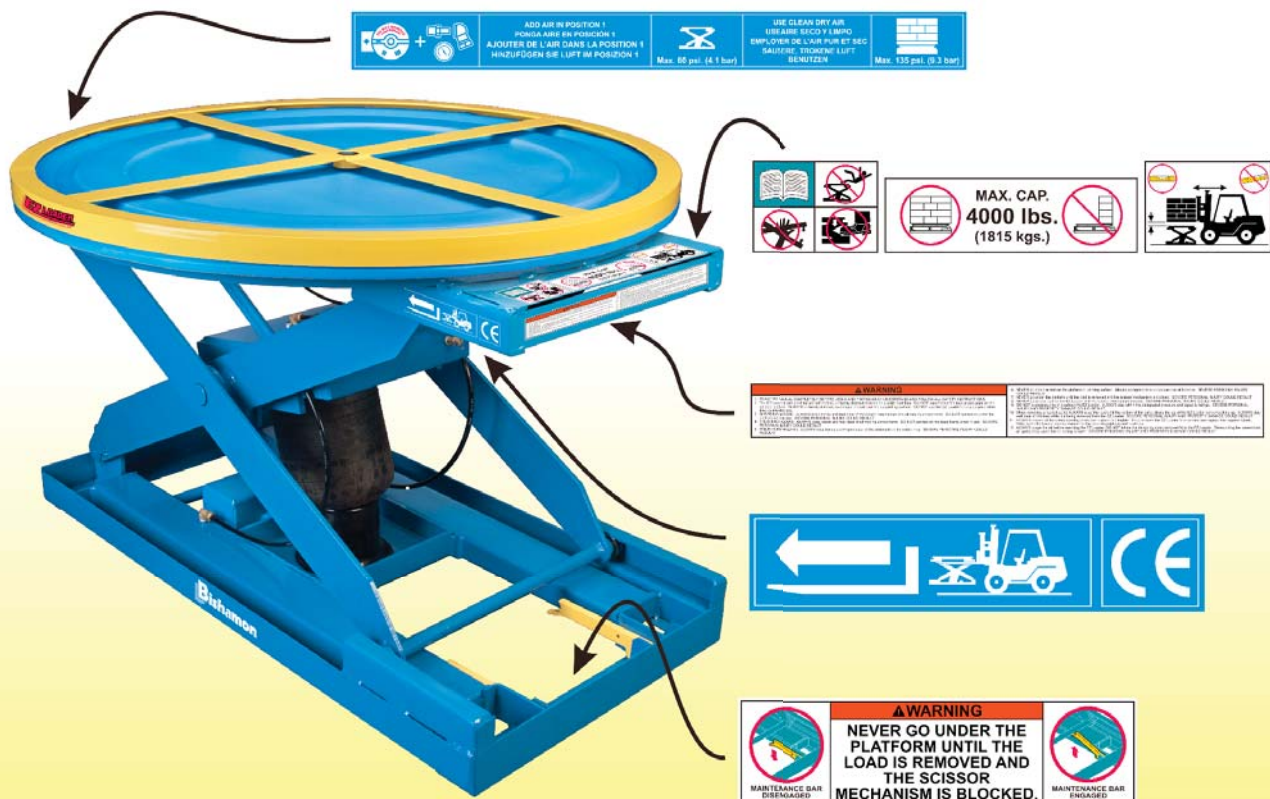


Figure 1 Safety Warning Label Locations

# SPECIFICATIONS AND SPECIFICATION DRAWING

## SPECIFICATIONS:

1. Minimum Self Leveling Capacity = 250 lbs (113 kgs)
2. Maximum Self Leveling Capacity = 3500 lbs (1588 kgs)
3. Maximum Load Capacity = 4000 lbs (1814 kgs)
4. Lowered Height = 10 1/2 in. (267 mm)
5. Raised Height = 30 1/2 in. (775 mm)
6. Travel = 20 in. (508 mm)
7. Product Weight = 380 lbs (172 kgs)
8. Shop Air Requirements = Clean dry air 60 psi (4.1 bar)
9. Maximum Internal Air Pressure = 135 psi (9.3 bar)
10. Relief Valve Setting = 150 psi (10.3 bar)
11. Air Spring = **Two ply fabric reinforced rubber**
12. Sound Pressure Level = <70dB(a)
13. Operating Environment = **Indoors**
14. Operating Environment Height = **Load Height + 42 in. (1068 mm)**
15. Operating Environment Temperature = +30°F to +120°F  
(-1.1°C to +48.9°C)
16. Lighting Requirement = **Good general lighting**
17. Finish = **Powder Coated Steel**
18. Air Pressure Capacity Adjustment = **Infinite (10 – 60 psi / 0.7 – 4.1 bar)**
19. EZ Adjust Capacity Adjustment = **3 position knob (light – medium – heavy)**

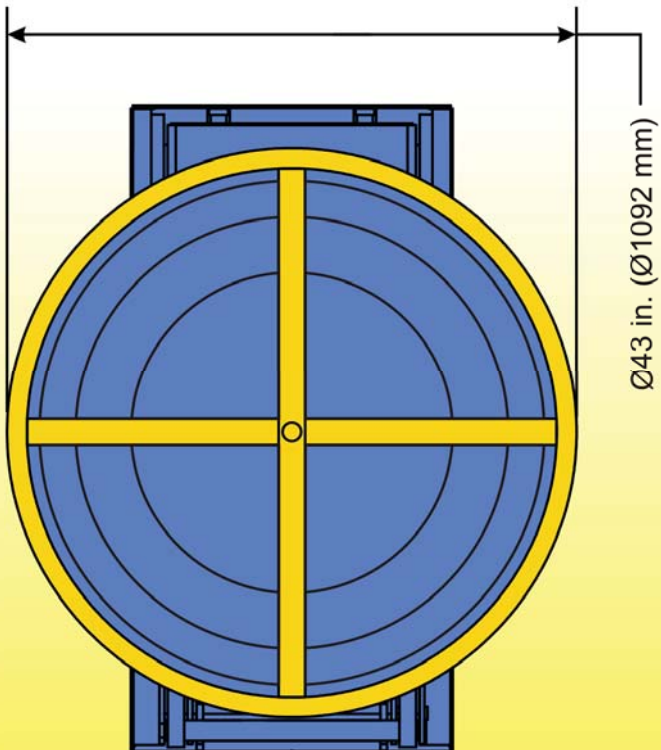
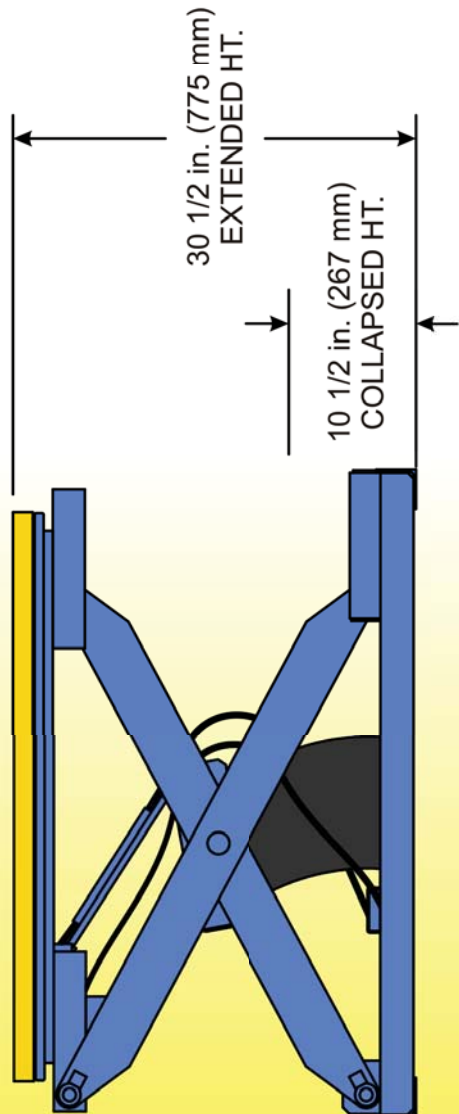
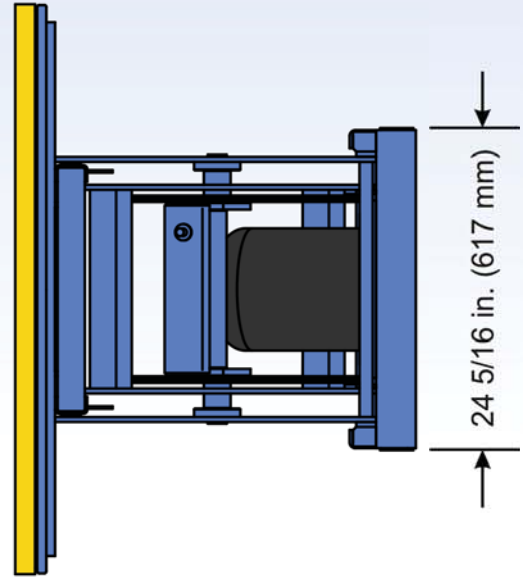


Figure 2 Specification Drawing

## RECOMMENDED FLOOR AREA & CEILING HEIGHT

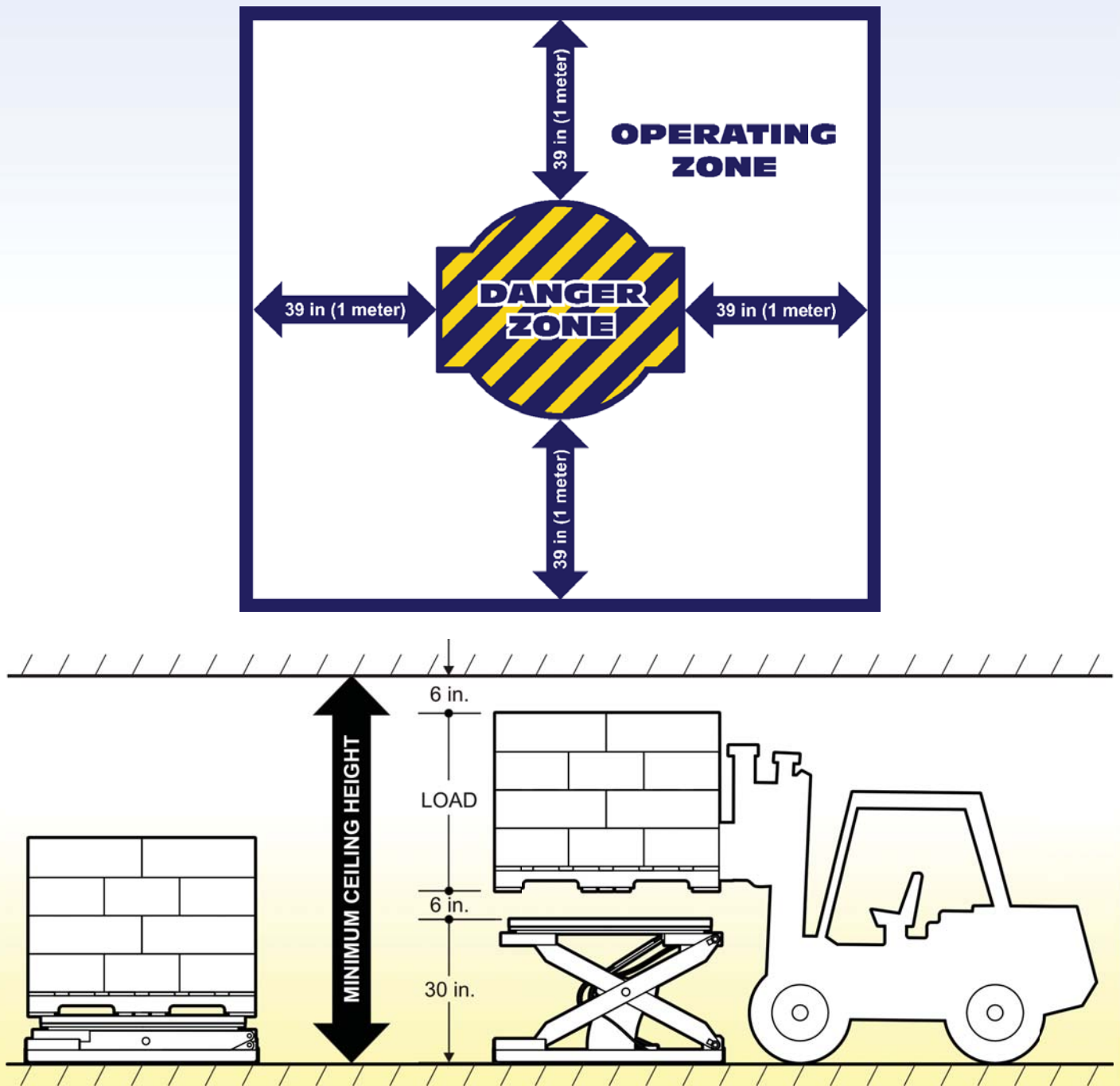


Figure 3 Recommended Floor Area & Ceiling Height

The EZ Loader's recommended floor area, shown in Figure 3, identifies the "Danger Zone" and the "Operating Zone". The Danger Zone is the area inside the base frame and under the platform structure. The recommended Operating Zone is a distance of 39 inches (1 meter) extending beyond the danger zone on all sides.

The EZ Loader also requires a minimum ceiling height to operate within. The minimum floor-to-ceiling height should be calculated as Load Height (including the pallet) + 42 inches (1068 mm).



## FUNCTIONAL DESCRIPTION

The EZ Loader is a pneumatic pallet positioner designed to assist the operator when manually loading or unloading a palletized load. As the load weight increases or decreases the EZ Loader gradually lowers or raises to maintain the top of the load at a comfortable working height, eliminating operator strain due to bending and stretching.

The EZ Loader is completely variable in capacity. Load support is provided by a Firestone Airstroke Actuator in a captive air system. Load capacity and height is initially determined by the initial system pressure in the fully raised position. The initial pressure varies from approximately 10 psi (0.7 Bar) to 60 psi (4.1 Bar). This corresponds to a collapsed capacity range from approximately 250 lbs (113 kgs) to a maximum of 2700 lbs (1225 kgs). In addition to the initial system pressure, the EZ Loader has the EZ Adjust capacity adjustment feature which is independent of the system air pressure. For any initial air pressure setting, the EZ Loader has three (3) collapsed capacity settings; light, medium and heavy. A capacity change can be made at any time without the need to add or remove air and is as easy as turning a knob. All additional load above the collapsed capacity is added to the EZ Loader while it is in the collapsed position. The maximum load capacity is 4000 lbs (1814 kgs).

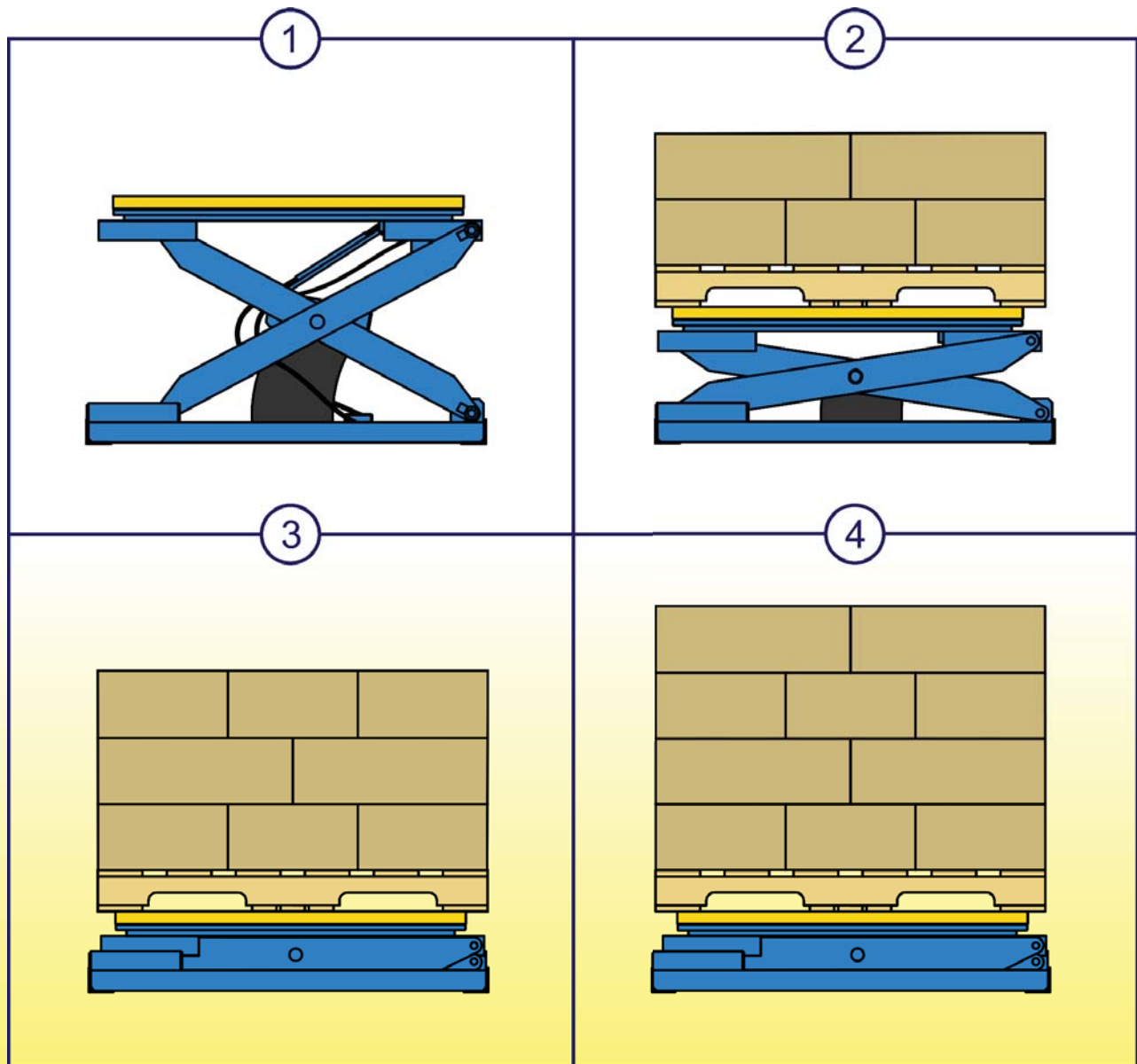


Figure 4 Functional Drawing

# SCISSOR BLOCKING INSTRUCTIONS

## To Engage The Maintenance Bars

1. Remove all load from the platform and allow the EZ Loader to extend to its fully raised position.
2. As detailed in Figure 5, lift each maintenance bar until the bottom of the bar contacts the scissor axle. Ensure both maintenance bars completely engage the axle.
3. Turn the EZ Adjust knob (identified in Figure 6), to the charge/discharge position and slowly open the purge valve to release the air from the system. As the air releases, the scissor mechanism will lower and completely engage the maintenance bars. ALWAYS check the position of the bars before going under the platform.

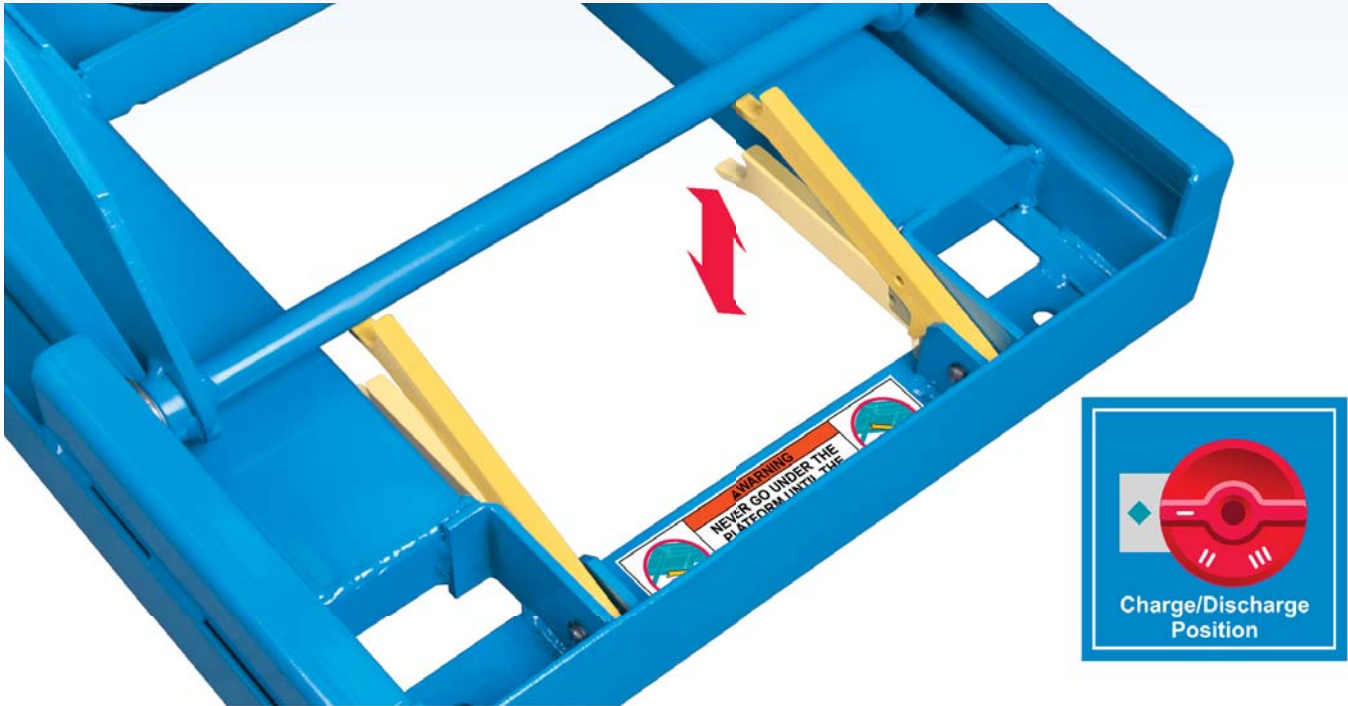


Figure 5 Maintenance Bar Operation

## To Disengage The Maintenance Bars

4. Ensure the capacity adjustment knob is in the charge/discharge position and the purge valve is closed. Repressurize the EZ Loader to the desired initial pressure or until the EZ Loader is fully raised.
5. Push each maintenance bar to its lowest (stored) position.

## WARNING

**NEVER** place any load on the EZ Loader with the scissor mechanism blocked. **SEVERE PERSONAL INJURY** and **PROPERTY DAMAGE** could result.

# INSTALLATION

Installation of the EZ Loader is a simple process; however, certain precautions must be taken to ensure years of trouble free service. The EZ Loader requires clean, dry, compressed air to operate properly. A filter and regulator with a pressure gauge should be installed on an air line in the installation area before initially charging the system for use.

Before you begin, locate and identify the pneumatic components detailed in Figure 6. These components will be referred to in the Installation and the Set-Up procedures. Make sure you understand the function of each component before proceeding.

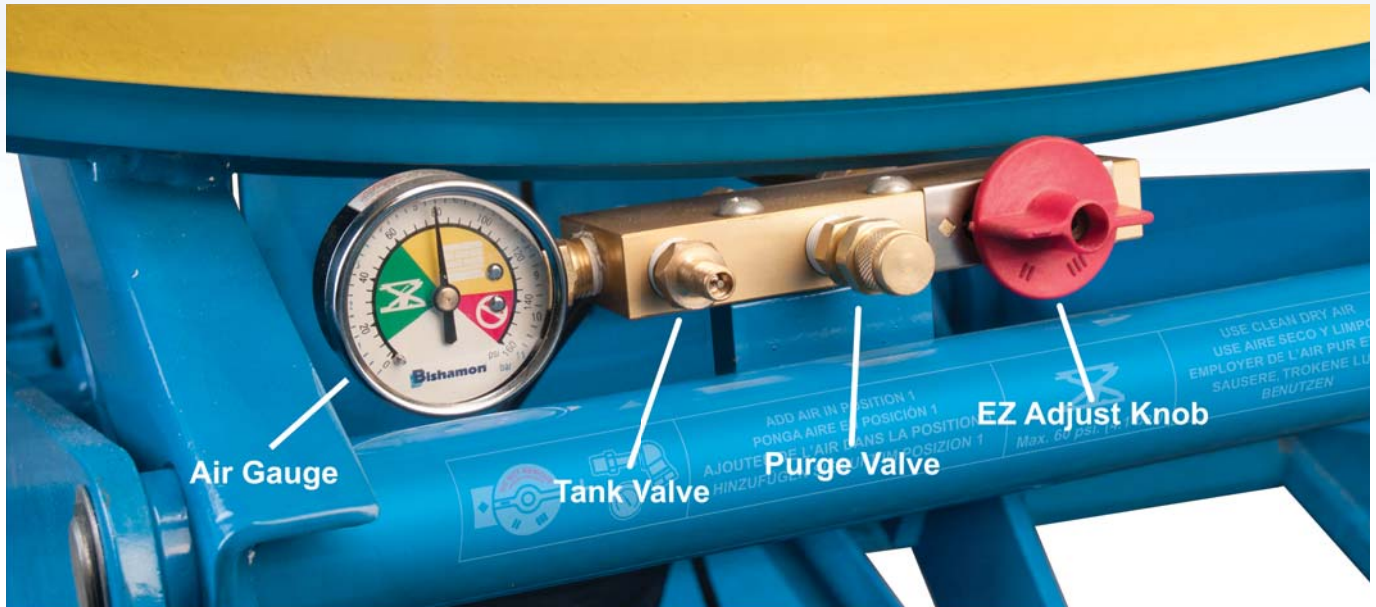


Figure 6 EZ Loader Pneumatic Components

**Air Chuck** - The air chuck is supplied the EZ Loader and is used to charge the EZ Loader with air. The air chuck body is supplied with 1/4 inch female pipe threads and must be attached to the end of the air line extending from the filter/regulator.

**Air Gauge** - The air gauge, Figure 7, indicates the EZ Loader's internal system pressure. Green identifies the initial pressure range for the EZ Loader in the raised position. The initial system pressure should be between 10 psi (0.7 bar) and 60 psi (4.1 bar). Yellow identifies the operation pressure range when the EZ Loader is fully loaded and collapsed. The maximum operational pressure is 135 psi (9.3 bar). Under no circumstance should be EZ Loader be operated in the red range above 135 psi (9.3 bar).

**Purge Valve** - The purge valve is a manual one way valve used to release air from the EZ Loader. Turning the valve counter-clockwise opens the valve and releases air from the system. Turn the valve clockwise to close. The valve should be closed with finger tight pressure. DO NOT use a wrench to close the valve. Leakage may occur if over-tightened.

**Tank Valve** - The tank valve is a one way valve used to charge the EZ Loader with air. The end of the tank valve is designed to mate with the air chuck. Pressing the air chuck against the end of the tank valve allows air to enter the system.

**EZ Adjust Knob** - The EZ Adjust capacity adjustment knob allows the operator to change the collapsed capacity of the EZ Loader without adding or removing air from the system. The knob's three (3) positions are identified in Figure 8.

**Light Weight Position** - is also the air charge/discharge position. Always turn the EZ Adjust knob to this position before adding or removing air from the system. The Light Weight



Figure 7 Air Gauge

Position also corresponds to the lightest load setting. For any air pressure setting, this position will allow the EZ Loader to completely collapse with the least amount of load.

**Medium Weight Position** - is the medium load capacity setting. At this setting, the EZ Loader will collapse slower and will require more load to completely compress the platform to its collapsed position.

**Heavy Weight Position** - is the high load capacity setting. With the EZ Adjust knob in this position, the EZ Loader will require the most load to completely collapse the platform.



Figure 8 EZ Adjust Knob Positions

## ***INSTALLATION INSTRUCTIONS***

1. Make sure the installation area is clean before starting. Check the installation surface to ensure it is relatively smooth and level. Otherwise, the EZ Loader base frame should be shimmed to make it level.
2. Using a fork lift or similar equipment, move the palletized EZ Loader to the location it is to be installed.
3. Remove the steel bands securing the EZ Loader to the pallet. Next, remove all packing material and place it off to the side.
4. Attach the air chuck to the air line extending from the filter/regulator.
5. Set the regulator to 60 psi (4.1 bar). Turn the EZ Adjust knob to the Light Weight Position and initially charge the system by engaging the air chuck to the EZ Loader's tank valve. The air spring will inflate and the EZ Loader will gradually extend to its maximum raised height. If escaping air is detected, close the purge valve (finger tight). Allow the system to completely pressurize and disengage the air line from the EZ Loader.
6. Using a fork lift, position the forks under the platform structure, as detailed in Figure 9. Lift the EZ Loader off the pallet. Next, remove the pallet and place it off to the side. Position the EZ Loader in the desired location.
7. Securing the EZ Loader to the floor may be preferred in some applications. If so, the base frame of the EZ Loader has 4 pre drilled holes for lagging the unit securely to the floor. Using the 4 holes as a template, mark the holes on the floor. Using the fork lift, shift the position of the EZ Loader to allow room for drilling, then drill. When complete, reposition the lift and install anchors lagging the EZ Loader securely to the floor. NOTE: Make sure the base angles are fully supported along their entire length with shims or concrete grout.
8. The EZ Loader is now ready for operation. Refer to the Set Up procedure to properly set the initial pressure for the desired capacity.

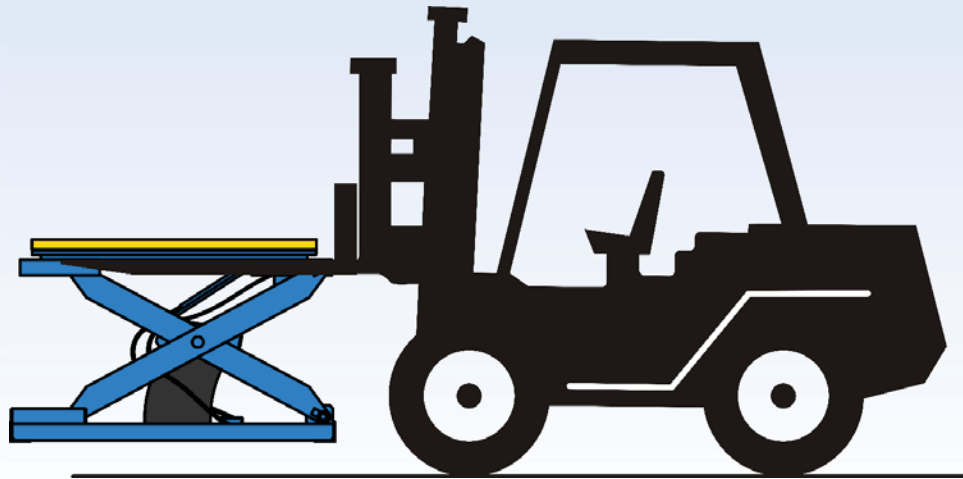


Figure 9 Handling the EZ Loader

## QUICK SET-UP

The EZ Loader is complete variable in capacity and very easy to set up. Complete the installation instructions detailed on page 8 Turn the EZ Adjust knob to the Light Weight Position and pressurize the EZ Loader to 60 psi (4.1 bar) in the raised position. Place all or any portion of the load on the EZ Loader, then open the purge valve to release air and set the top of the load at the desired working height. Close the purge valve finger tight. Next, turn the EZ Adjust knob to the Medium Weight Position leaving one position for lighter loads and one position for heavier loads. For a more detailed explanation, refer to the following set up procedure.

Note: To ensure proper operation, always add or remove air with the EZ Adjust knob in the Light Weight Position.

## SET-UP PROCEDURE

The load capacity and height of the EZ Loader is initially determined by the system pressure in the raised position. The initial pressure is completely variable and for most applications should be between 10 psi (0.7 bar) and 60 psi (4.1 bar). An initial pressure less than the minimum stated above can be used; however, the EZ Loader will not extend to its maximum height. In addition, to the system air pressure setting, the operator may adjust the collapsed capacity of the EZ Loader by turning the EZ Adjust knob. For any air pressure setting, the EZ Loader has three (3) collapsed capacity settings; Light Weight Position, Medium Weight Position and Heavy Weight Position. A capacity change can be made at any time without the need to add or remove air and is as easy as turning the EZ Adjust knob. The change in capacity for two (2) air pressure settings is shown below in Chart 1.

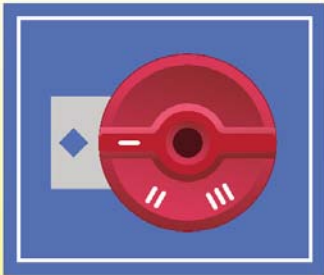
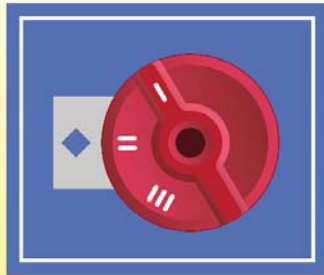
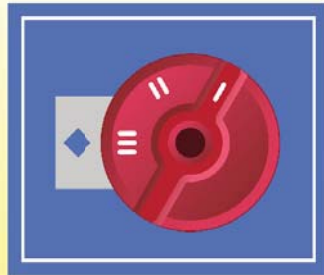
Air Pressure Setting (psi)			
	Light Weight Position	Medium Weight Position	Heavy Weight Position
15	440	660	900
60	1560	2100	2630

Chart 1 EZ Adjust Capacity Adjustability

A diagram of the rotator ring height as it relates to the load weight for the EZ Loader is shown below in Figure 10. Figure 10 illustrates the change in performance due to both changes in initial pressure and changes in the EZ Adjust knob position.

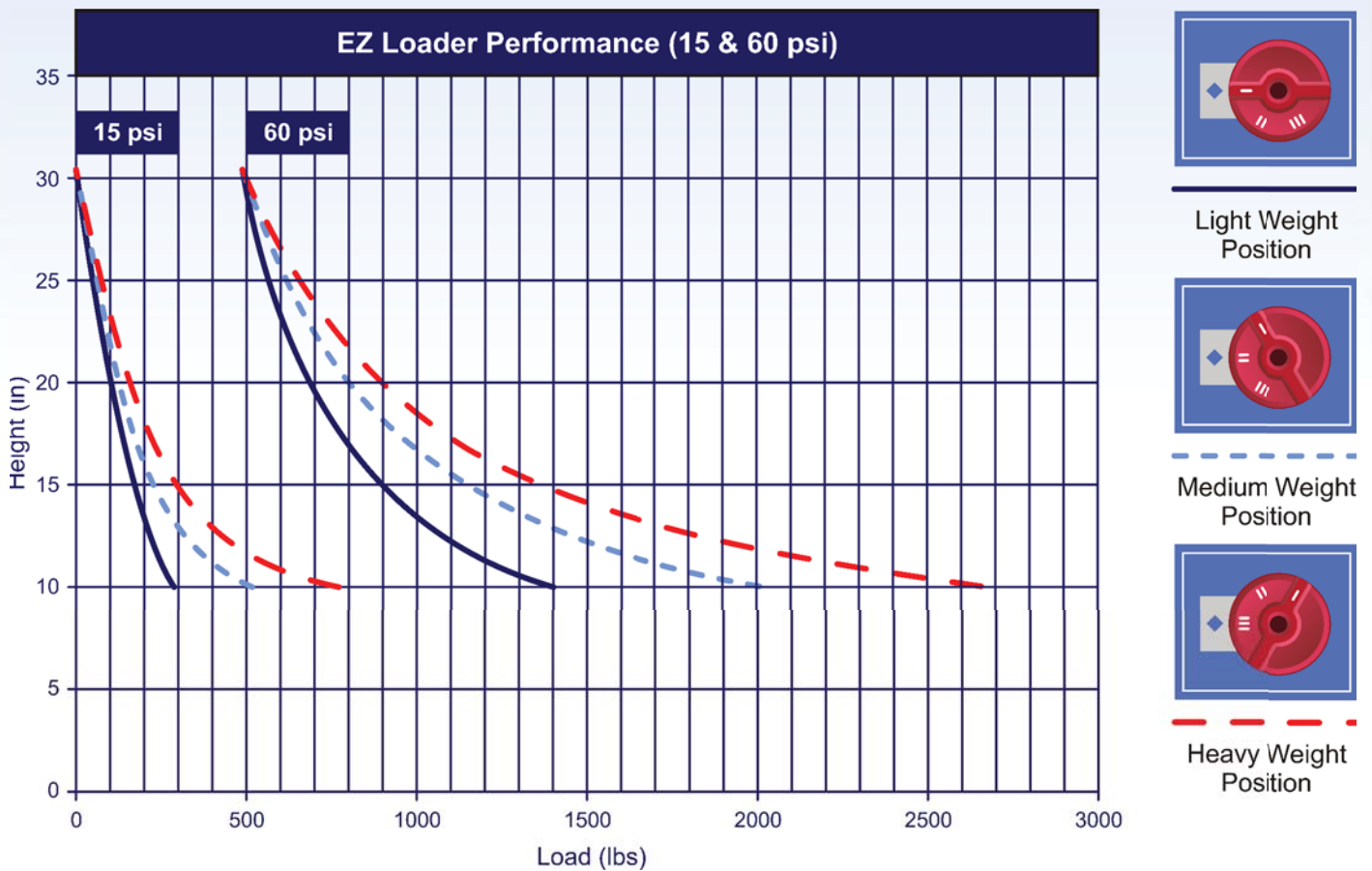


Figure 10 EZ Loader Height vs. Load Diagram

For most applications, the EZ Loader should be completely collapsed at approximately 75 percent of the total load (load + pallet weight). The remaining load (usually the last layer) is added to the EZ Loader while it is in the collapsed position. To set up the EZ Loader for use, complete steps 1-6 below.

1. The EZ Loader must be properly installed before using. Refer to installation instructions on page 8.
2. Set the air regulator to 60 psi (4.1 bar). Turn the EZ Adjust knob to the Light Weight Position and completely pressurize the EZ Loader. Check the pressure gauge on the EZ Loader to ensure the system pressure is the same as the regulator setting. Disengage the air chuck from the tank valve and store the air line in a convenient location. Ensure the purge valve is closed finger tight and disengage the maintenance bars, if required.
3. Place the pallet and 75 percent of a lighter than average load on the EZ Loader. Check the platform height. If the EZ Loader is not completely collapsed, open the purge valve slowly and release air until the minimum height is obtained. Close the purge valve.
4. Using a fork lift, remove the loaded pallet and allow the EZ Loader to return to its raised position. If a dedicated air line is being used, set the air regulator to the initial pressure on the gauge. Otherwise, record the setting for future use.
5. With the EZ Loader in the fully raised position, turn the EZ Adjust knob to the Medium Weight Position. This provides for one lighter than average weight setting; as well as, one heavier than average weight setting.
6. The EZ Loader is now ready for use. Should the load capacity vary, adjustments in the load height or collapsed capacity can easily be made by turning the EZ Adjust knob.

Note: The ideal initial pressure setting depends on many factors; including load density, load height, load variability and operator height. Should the desired response require a slightly stiffer spring setting, simply remove the load, turn the EZ Adjust knob to the Light Weight Position and add air. Typically, a 5 psi (0.3 bar) change in initial pressure is adequate. Likewise, if a slightly softer spring setting is desired, simple remove air. The EZ Loader is a captive air system much like an automotive tire and will lose small amounts of air over a period of time. Therefore, air will have to be occasionally added to the system.

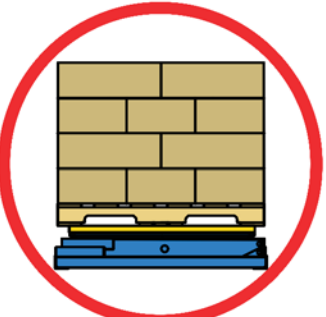

## **OPERATING INSTRUCTIONS**

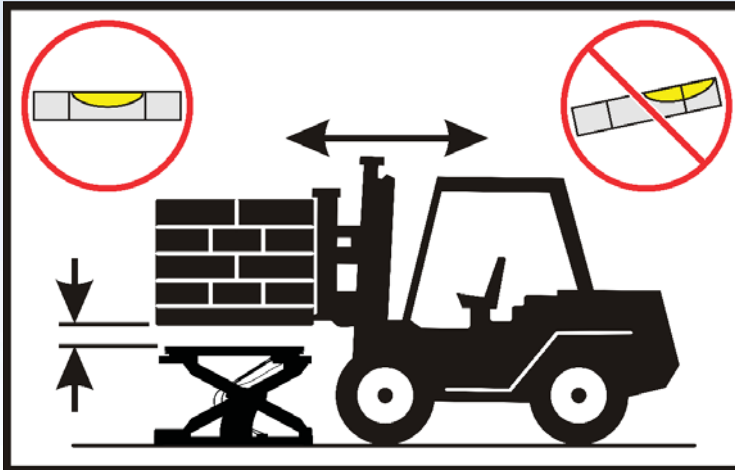
### **Loading Operations**

1. Place the empty pallet on the EZ Loader rotator ring. Be sure that the pallet is centered on the rotator ring before beginning.
2. Begin the loading process. Always uniformly distribute each layer of load over the pallet surface. As the load weight increases, the EZ Loader will gradually lower to maintain the top of the load at a convenient working height.
3. Upon completion of the loading process, rotate the pallet to a position that is suitable for the fork lift forks to enter the pallet. Slowly lift the loaded pallet until the bottom of the pallet clears the top of the EZ Loader. Next, slowly back up until the load is well clear of the EZ Loader's operating zone and others. Then, lower the load to a convenient height for transportation.

### **Unloading Operations**

4. Using a fork lift, lift the loaded pallet to a height where the bottom of the pallet clears the top of the EZ Loader. Position the loaded pallet over the top of the EZ Loader rotator ring. Be sure that the pallet is centered over the rotator ring before lowering the load. Slowly lower the load until the EZ Loader is completely collapsed. Next, slowly back up until the forks are well clear of the EZ Loader's operating zone.
5. Begin the unloading process. Always remove each layer of load completely before beginning the next layer. This will ensure that the remaining layers are uniformly distributed over the pallet surface. As the load weight decreases, the EZ Loader will gradually raise to maintain the top of the load at a convenient working height.
6. Upon completion of the unloading process, remove the empty pallet.

	<p style="text-align: center;"><b>⚠ WARNING</b></p> <p>The EZ Loader is designed for use with stable, uniformly distributed loads on a solid level floor. <b>DO NOT</b> concentrate the load at one point on the pallet or platform. <b>ALWAYS</b> uniformly distribute each layer of load over the supporting surface. <b>DO NOT</b> use the EZ Loader for any purpose other than its intended use.</p>	
---	--	---



## WARNING

When removing a loaded pallet, ALWAYS raise the load until the bottom of the pallet clears the top of the EZ Loader before backing up. ALWAYS stay well clear of the load while it is being removed from the EZ Loader. SEVERE PERSONAL INJURY and PROPERTY DAMAGE could result.

### EZ Adjust Knob Operation

1. The EZ Adjust knob provides for quick and easy capacity changes without the need to add or remove air. The amount of capacity change for each knob position is relative to the initial system pressure. However, each knob position changes the collapsed capacity by approximately 40%.
2. The position of the EZ Adjust knob can be changed at any time during the loading or unloading cycle. For example, if the EZ Adjust knob is in the Medium Weight Position and the platform is settling too quickly with the first layer of load, simply turn the knob to the Heavy Weight Position. Likewise, if the response is too stiff after the first layer of load, turn the knob to the Light Weight Position.
3. Adjusting the EZ Adjust knob during a loading or unloading cycle will cause an imbalance in the system air pressure in the various reservoirs. If after several mid-cycle adjustments the performance becomes undesirable, simply equalize the system pressure by turning the EZ Adjust knob to the Light Weight Position when the EZ Loader is in the fully raised position. Wait a few seconds for the pressure to equalize and return the knob to the desired position.

## HANDLING INSTRUCTIONS

Certain applications may require the EZ Loader to be relocated frequently. Handling the EZ Loader can be easily accomplished as follows:

1. Remove all load from the platform and allow the EZ Loader to extend to its fully raised position.
2. Using a fork lift, position the forks under the platform structure, as detailed in Figure 9.
3. Slowly lift the EZ Loader until the base frame clears the floor. The EZ Loader can now be moved to the next location.

## ROUTINE MAINTENANCE

The EZ Loader is designed to provide years of trouble free service and requires very little maintenance. However, a routine inspection and maintenance program will prevent costly replacement of parts and/or downtime.



## WARNING

**NEVER** go under the platform until the load is removed and the scissor mechanism is blocked. **SEVERE PERSONAL INJURY** could result.

## WARNING

**Before servicing any component in the EZ Loader's pneumatic system, ALWAYS** open the purge valve and discharge all air pressure. **SEVERE PERSONAL INJURY** could result.

### Monthly inspection should consist of the following:

1. Inspect the snap rings at all rollers and linkage assemblies. If not in place and/or secure, replace or repair at once.
2. Inspect all rollers for signs of wear. Replace as necessary. Rollers and axles have lifetime lubricated bearings; therefore, they do not need to be greased or lubricated.
3. Inspect the air spring retaining screws for tightness. Tighten if necessary.
4. Inspect the rotator ring bearings for ease of operation. Replace if necessary.
5. Should removal of the air lines be required, mark the initial position before removing the fitting nut. When reinstalling, first tighten the nut by hand, then using a wrench rotate the nut to the original position. Tighten the nut an additional 1/8 turn. Do not over tighten as air leakage may occur.
6. Inspect the EZ Adjust knob and valve body for proper operation. If disassembly of the valve is required, always engage the maintenance bars and open the purge valve to completely discharge all air pressure before disassembling the valve.

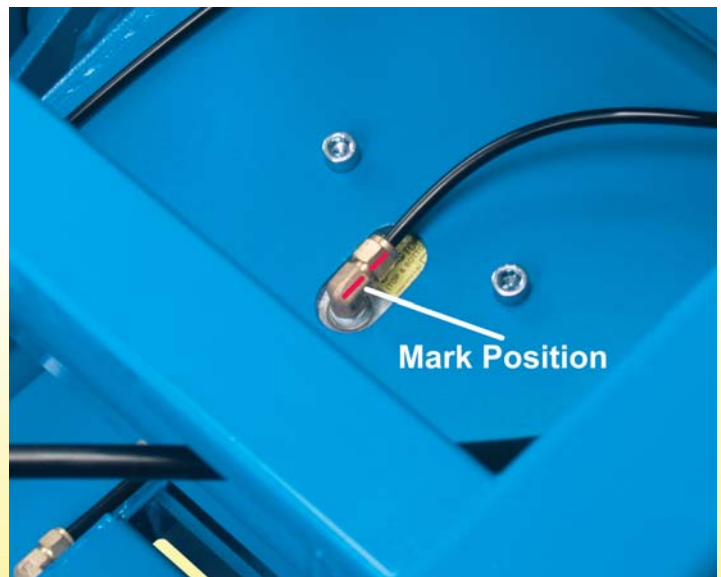


Figure 11 Fitting Disassembly

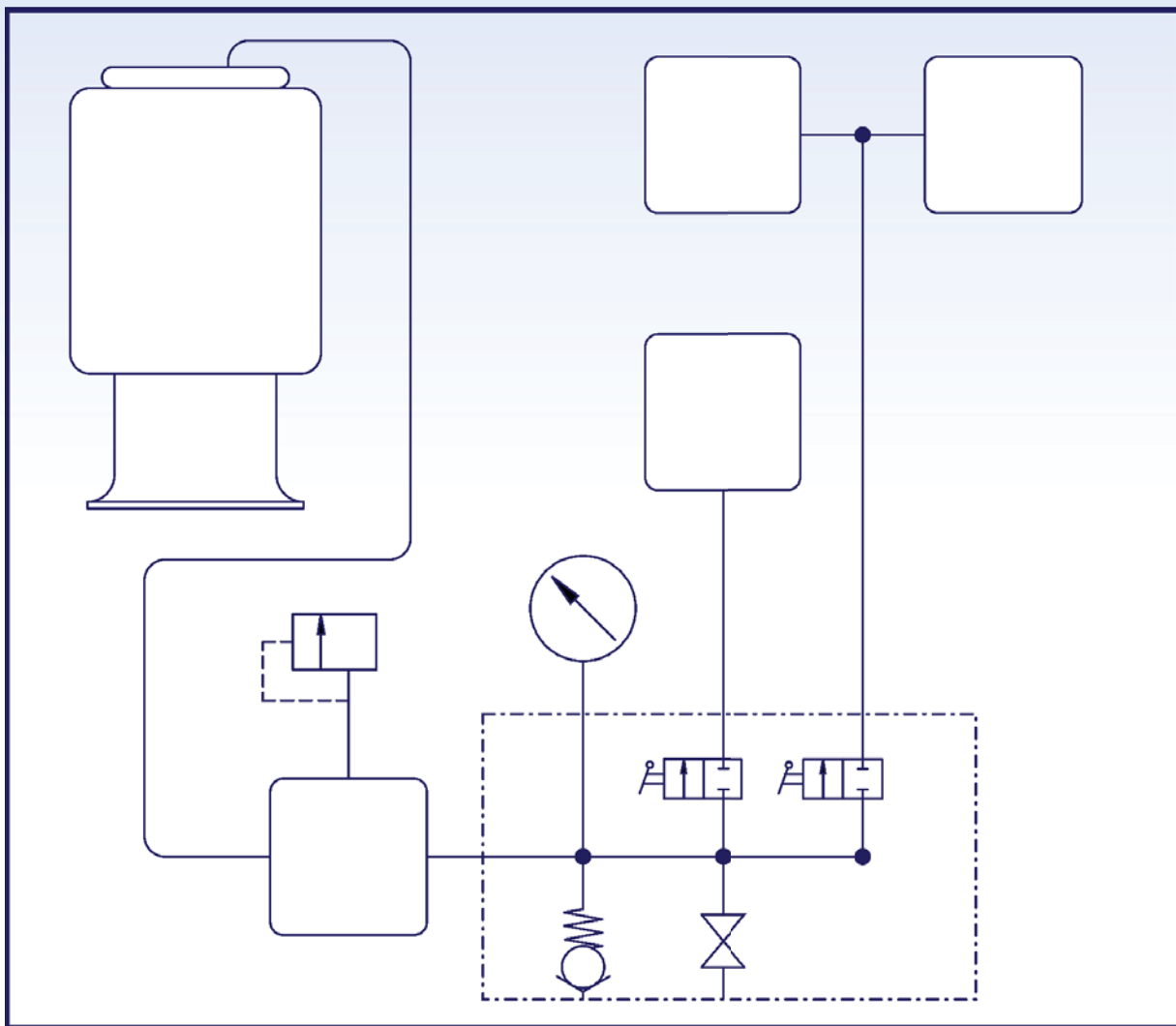


Figure 12 EZ Loader Pneumatic Schematic

## ***REPLACEMENT PARTS***

Bishamon has carefully selected the components used in the manufacture of the EZ Loader. In the event replacement parts are required, **ALWAYS** use genuine EZ Loader components provided by Bishamon. These parts can be obtained from your Bishamon DEALER or by contacting Bishamon Industries Corp.

For detailed exploded views and parts lists contact your dealer, Bishamon Industries Corporation or visit [www.bishamon.com](http://www.bishamon.com).

UnLoaded Air Pressure Setting (psi)			
	Total Pallet Weight (lbs)		
	Light Weight Position	Medium Weight Position	Heavy Weight Position
12	250 - 450	725 - 800	900 - 1000
15	550 - 600	800 - 900	1100 - 1200
20	700 - 750	1000 - 1100	1350 - 1450
25	850 - 925	1200 - 1300	1550 - 1700
30	1000 - 1100	1375 - 1525	1775 - 1950
35	1150 - 1250	1600 - 1750	2000 - 2200
40	1300 - 1450	1825 - 2000	2300 - 2500
45	1475 - 1625	2000 - 2200	2550 - 2750
50	1625 - 1775	2200 - 2400	2800 - 3000
55	1775 - 1950	2375 - 2575	3050 - 3275
60	1950 - 2100	2600 - 2825	3300 - 4000

Chart 2 EZ Loader Performance

### Notes:

1. The above chart is for reference only to illustrate the capacity variability of the EZ Loader. Other initial pressures may be better suited for a specific loading/unloading application.
2. There are multiple EZ Loader settings for most pallet weights. For example, consider a total pallet load of 1650 lbs. Three (3) of the possible settings are:  
 25 psi with the EZ Adjust knob in position three,  
 35 psi with the EZ Adjust knob in position two,  
 50 psi with the EZ Adjust knob in position one.  
 Each setting will provide a slightly different load response and the ideal setting will depend of the load height, number of layers in the load and the operator height.
3. The above chart assumes a typical load height with the last layer of load being placed on the pallet with the EZ Loader fully compressed.
4. The EZ Loader is completely variable in capacity and any initial pressure setting between 10 psi and 60 psi may be used.