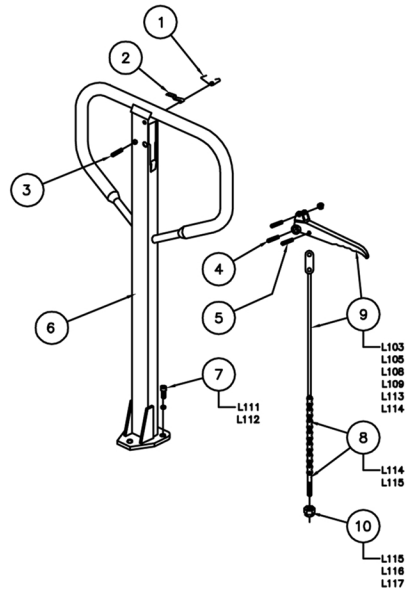
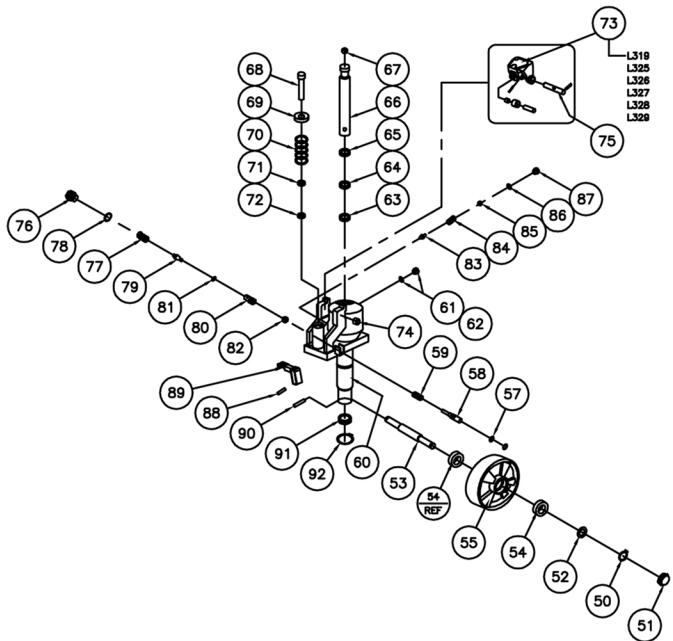


### CPII PALLET JACK

- Adjustable fork connecting rods.
- Entry/exit rollers.
- Overload bypass.
- Reinforced forks.
- Rubber coated handle.
- Raised height: 8", Lowered height: 3"
- 3 years pump warranty.



JACK PARTS LIST				
50	272789	L301	LARGE RETAINER RING	2
51	272793	L302	HUB CAB	2
52	272794	L303	WASHER	2
53	272795	L304	AXLE OF STEERING WHEEL	1
54	272325	L305	BEARING	4
55	272785	L306	WHEELS	2
56	N/A	L307	N/A	
57	273013	L308	O-RING	2
58	273014	L309	RELEASE VALVE	1
59	273015	L310	SPRING	1
60	272779	L311	PUMP BODY	1
61	273016	L312	SEAL WASHER	1
62	273017	L313	BOLT	1
63	273018	L314	Y-SEAL	1
64	273019	L315	Y-SEAL	1
65	273020	L316	WIPER	1
66	273021	L317	LIFT PISTON	1
67	273022	L318	STEEL BALL	1
68	272797	L320	PUMP PISTON	1
69	272310	L321	CAP OF PISTON	1
70	272790	L322	SPRING	1
71	272798	L323	WIPER	1
72	272799	L324	Y-SEAL	1
73	272773		KIT: BRACKET ASS'Y	1
		L319	BRACKET	1
	272774	L325	AXLE OF ROLLER	1
	272075	L326	PRESSURE ROLLER	1
	272085	L327	BUSHING	1
	272090	L328	ELASTIC PIN	1
	272082	L329	ELASTIC PIN	1
74	273008	L330	BUSHING	1
75	274086	L331	AXLE WITH HOLE	1
76	273004	L332	PLUG BOLT	1
77	273006	L333	SPRING	1
78	273005	L334	SEAL WASHER	1
79	273003	L335	VALVE PIN	1
80	273002	L336	VALVE	1
81	273007	L337	O-RING	1
82	273001	L338	STEEL BALL	1
83	272099	L339	SAFE VALVE PIN	1
84	273026	L340	SPRING	1
85	273027	L341	ADJUSTING BOLT	1
86	272028	L342	O-RING	1
87	272029	L343	PLUG BOLT	1
88	273009	L344	ELASTIC PIN	1
89	273010	L345	LEVER	1
90	273011	L348	ELASTIC PIN	1
91	272100	L349	THRUST BEARING	1
92	273012	L350	SNAP RING	1
93	274082		SEAL KIT	1
94	272780		COMPLETE REPLACEMENT PUMP	1

HANDLE PARTS LIST (Type "A")				
1	274076	L101	SPRING	1
2	274083	L102	BLADE SPRING	1
3	272453	L104	ELASTIC PIN	1
4	272043	L106	ELASTIC PIN	1
5	272322	L107	ELASTIC PIN	1
6	274075	L110	HANDLE	1
7	274079		KIT: BOLT/ELASTIC WASHER	1
		L111	BOLT - M10 X 25	3
		L112	WASHER - 10MM	3
8	272454		KIT: CHAIN/PIN	1
		L114	CHAIN	1
		L115	PIN	1
9	272791		KIT: CONTROL HANDLE	1
	274001	L103	ROLLER	1
	272042	L105	ELASTIC PIN	1
		L108	CONTROL HANDLE	1
	274084	L109	PULL BOARD	1
		L113	PULL ROD	1
		L114	PULL BOARD	1
10	274087		KIT: RELEASE ASSEMBLY	1
		L115	PIN	1
	272456	L116	ADJUSTING BOLT	1
	272337	L117	ADJUSTING NUT	1

FORK FRAME PARTS LIST				
15	N/A	L201	CHASSIS	1
16	272311	L202	LOCK BOLT	1
17	272312	L203	BUSHING	4
18	272788	L204	SHOULDER BOLT	2
19	272305	L205	BUSHING	2
20	272313	L206	TORSIO TUBE 27"	1
21	272306	L207	THRUST PLATE	1
22	272314	L208	SNAP RING	2
23	272317	L209	EYE BOLT	2
24	272318	L210	NUT	2
25	272319	L211	PUSH ROD	2
26	272315	L212	AXLE for EYE BOLT	2
27	272044	L213	ELASTIC PIN	2
28	272332	L214	AXLE for TORSION TUBE	2
29	272321	L215	ROLLER	2
30	274088	L216	BUSHING	4
31	274085	L217	AXLE	2
32	272308	L218	ELASTIC PIN	4
33	272309	L219	BUSHING	4
34	272320	L220	FRAME OF WHEEL	4
35	272333	L221	BOLT	2
36	272334	L222	PIN	2
37	272323	L223	WASHER	4
38	272324	L224	AXLE FOR WHEEL	2
39	272325	L225	BEARING	4
40	272784	L226	LOAD WHEEL (POLY)	2
41	272336	L227	ELASTIC WASHER	2
42	272335	L228	NUT	2
43	272326	L229	NUT	2
44	272327	L230	ENTRY ROLLER	2
45	272331	L231	BOLT	2