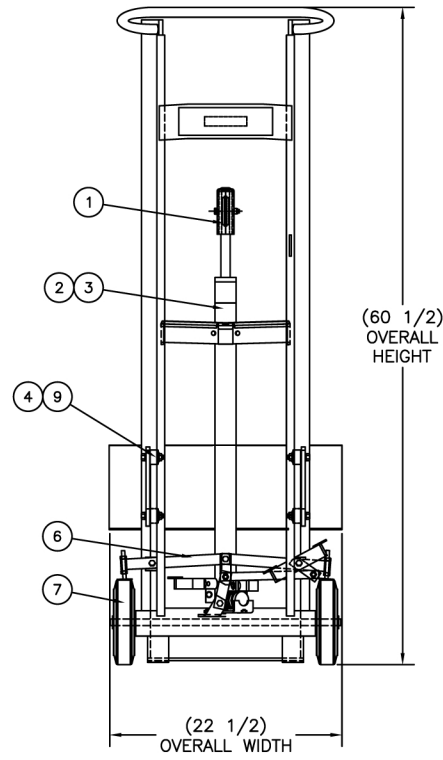
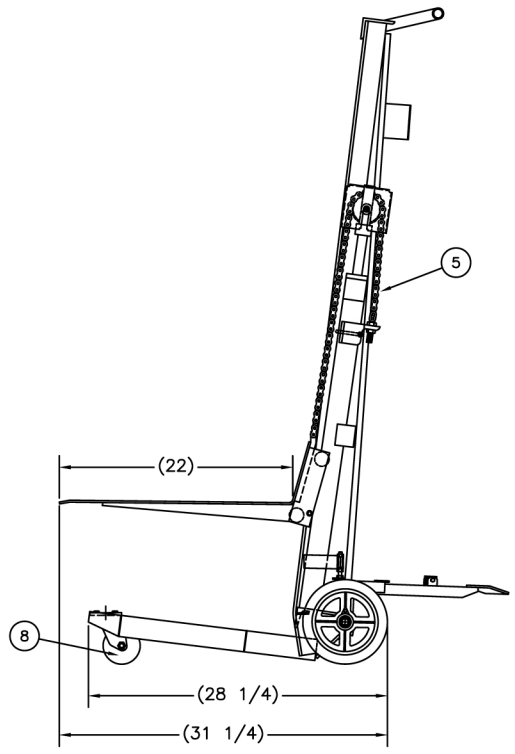
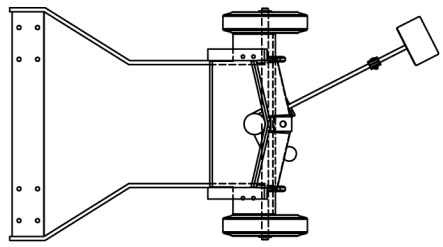


REPLACEMENT PARTS LIST

ITEM	PART NO.	DESCRIPTION	QTY.
1	260143	ROLLER CARRIER ASSEMBLY	1
2	051159	JACK ASSEMBLY (54")	1
3	052722	SEAL KIT	1
4	108501	ROLLER: PLATFORM	4
5	050769	LIFT CHAIN ASSEMBLY	1
6	260072	KIT: WHEEL LOCK "HANDLE STYLE" (PL-40 PRE-10/1996)	1
	260080	KIT: WHEEL LOCK "FOOT STYLE" (PL-40/54)	1
7	052868	WHEEL: "H1" 8 X 2 MOR/AC	2
8	108303	CASTER: SWIVEL 3-1/2X1-1/4" (DPL)	2
9	051813	KIT: PLATFORM ROLLER W/ HARDWARE	4



STEEL FRAME PEDALIFTS

- Wheel locks are standard on all models.
- Frame and lift heights vary among models.

Four Wheeled Hydraulic Models

- Foot operated hydraulic pump raises platform, foot release lowers platform.
- Platform sit 5.75" above the floor.
- Wheel lock standard.

P/N 260009
 Model: DPL-54-2222
 Lift Height: 54"
 Platform: 22"D X 22"W
 Capacity: 750 lb.
 O.A.H. 60.5" High
 O.A.W. 22.5" Wide

THIS DRAWING IN ALL PARTICULARS IS WESCO MFG. CO. PROPERTY. ALL RIGHTS OF DESIGN, INVENTION OR USE OF ARE RESERVED.

PRINT ISSUED
 JUN 04 2002
 WESCO MANUFACTURING
 ENGINEERING DEPARTMENT

REV. DATE	WESCO MANUFACTURING CO. NORTH WALES PENNA. 19454	
	PART NAME DPL-54-2222 (PEDA-LIFT)	DRAWN:
	TOLERANCE UNLESS OTHERWISE SPECIFIED	CHECKED:
	APPROX. 3 PLACE DECIMAL	APP. ENGR.
	APPROX. 2 PLACE DECIMAL	SCALE:
FRACTION ± 1/64 DECIMAL ± .005 SHEET 1 OF 1 ANGULAR ± 1-1/2° BREAK ALL SHARP EDGES AND REMOVE ALL BURRS		C-260009