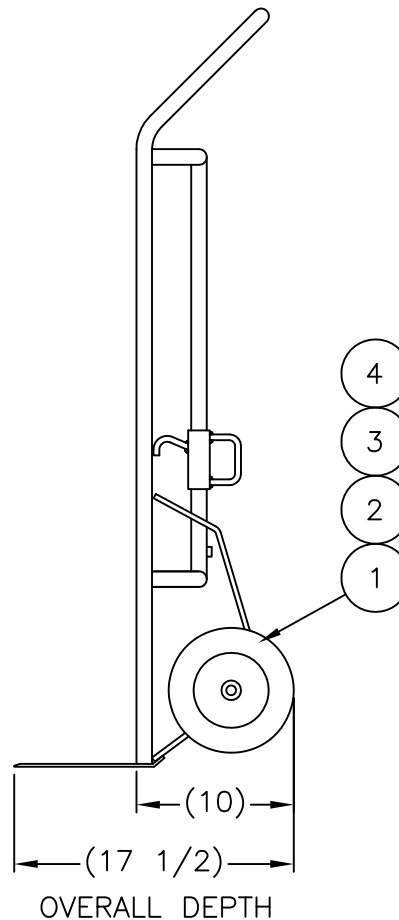
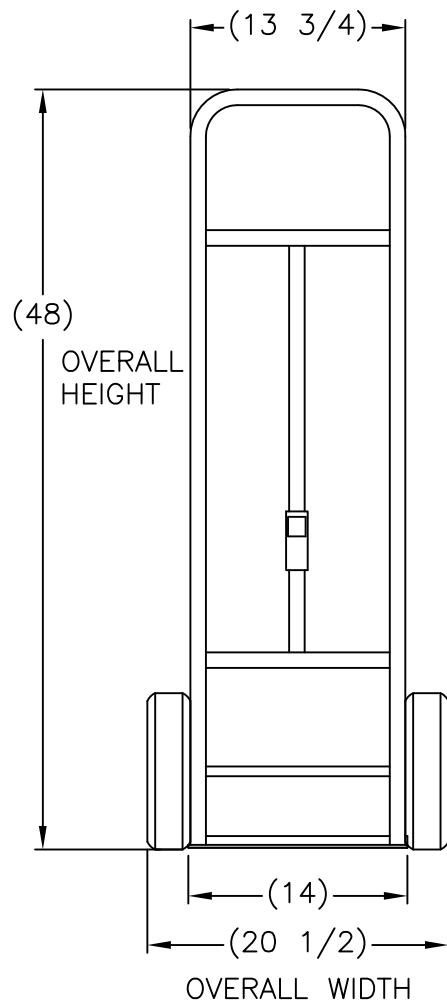


210349



REPLACEMENT PARTS LIST

ITEM	PART NO.	DESCRIPTION	QTY.
1	150120	WHEEL: "HB" 8 X 2	2
2	100051	FLAT WASHER (5/8 SAE)	4
3	108219	COTTER PIN (5/32 x 1)	2
4	050080	AXLE "H" (3/4X20-1/4)	1

HEAVY DUTY HAND TRUCK

- Utility of a hand truck & drum truck.
- Chime hook works with 30/55 gallon drums.
- Curved frame holds 5 gallon pails and kegs.
- With noseplate resting flat on floor, 15-1/2" to center of lowered chime hook.
- Made in USA

P/N 210349

Model 156DH-HB
 Weight 42.5 lbs
 Capacity 800 lbs
 Bearing Roller Bearing
 Axle .75"
 Box NO
 Wheel 8" x 2"
 Type Moldon Rubber
 Hub Cast Iron

THIS DRAWING IN ALL PARTICULARS IS WESCO MFG. CO. PROPERTY. ALL RIGHTS OF DESIGN, INVENTION OR USE OF ARE RESERVED.

PRINT ISSUED

JULY 16 2007

WESCO MANUFACTURING
ENGINEERING DEPARTMENT

R W S APP
 01-28-13
 A UPDATED
 ECN & DATE
 REVISIONS
 REV.

WESCO MANUFACTURING CO.
 NORTH WALES PENNA. 19454

PART NAME

156DH-HB

DRAWN: PAP 3/3/95

CHECKED: EGK 3/9/95

APP. ENGR.

TOLERANCE UNLESS OTHERWISE SPECIFIED

FRACTION	3 PLACE DECIMAL	2 PLACE DECIMAL
± 1/64	± .005	± .01

ANGULAR ± 1-1/2'	SHEET	OF

BREAK ALL SHARP EDGES AND REMOVE ALL BURRS

SCALE: 8" = 1"

B- 210349 REV A