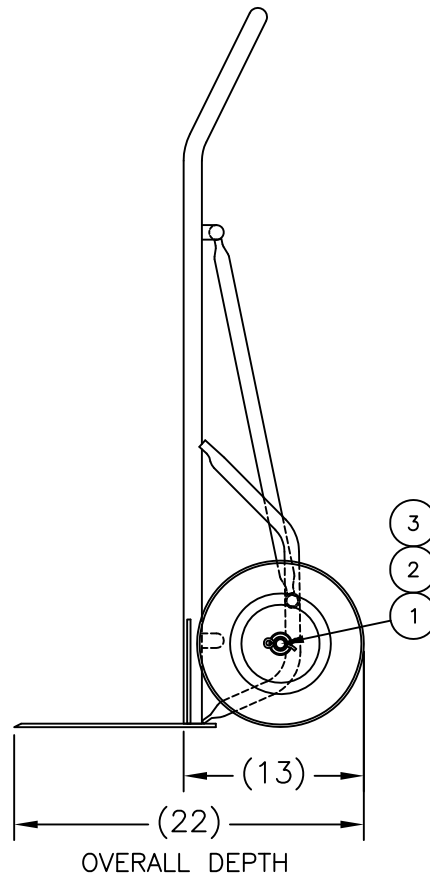
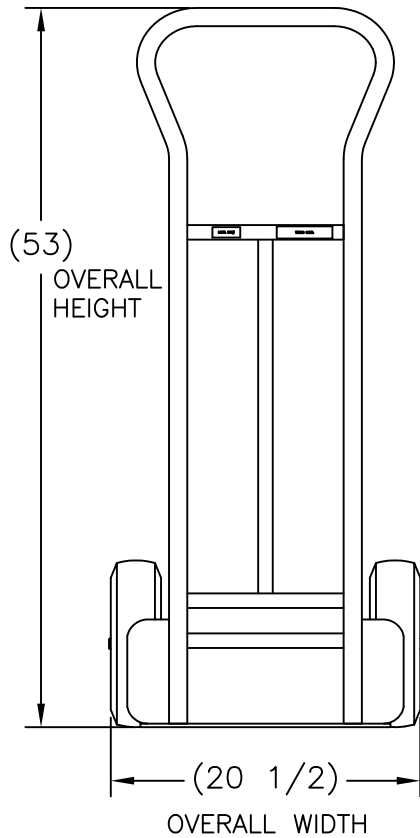


210064



REPLACEMENT PARTS LIST

ITEM	PART NO.	DESCRIPTION	QTY.
1	150120	WHEEL: "HB" 8 X 2	2
2	108204	WASHER: FLAT (PLTD) 3/4 SAE	4
3	108218	PIN: COTTER 3/16 X 1-1/2"	2

P/N 210064

Model #: ST-2HB
 Weight: 59.5 lbs
 Wheel: 8" x 2" M.O
 Capacity: 900 lbs
 Bag: Yes
 Wheel Size: 8" x 2"
 Wheel Type: Semi-Pneumatic
 Wheel Hub: Cast Iron

HEAVY DUTY SHOVEL NOSE TRUCKS

- 5 year weld guarantee.
- 13" deep x 17.5" x .25" thick tapered nose plate.
- 1" heavy duty sch-40 pipe frame.
- Easy grip continuous handle frame design.
- 3/4" axle.
- 8" x 2" cast iron moldon rubber or 12" pneumatic wheels.
- Wheel guards.

THIS DRAWING IN ALL PARTICULARS IS WESCO INDUSTRIAL PRODUCTS INC. PROPERTY. ALL RIGHTS OF DESIGN, INVENTION OR USE OF ARE RESERVED.

PRINT ISSUED

JUL 06 2007

WESCO MANUFACTURING
ENGINEERING DEPARTMENT

REV.	REV. DESCRIPTION	APP.	DATE	REV.	DESCRIPTION	APP.	DATE
B	UPDATED		01-28-13	W			
R				S			

WESCO INDUSTRIAL PRODUCTS INC.		NORTH WALES		PENNA. 19454	
PART NAME				DRAWN: KL 04-21-05	
ST2-HB				CHECKED: PS 04-27-05	
TOLERANCE UNLESS OTHERWISE SPECIFIED				APP. ENGR.	
FRACTION		3 PLACE DECIMAL		2 PLACE DECIMAL	
± 1/64		± .005		± .01	
ANGULAR ± 1-1/2'		SHEET 1 OF 1		SCALE: 1" = 9"	
BREAK ALL SHARP EDGES AND REMOVE ALL BURRS				B- 210064	
				REV B	