

4

3

2

1

D

D

C

C

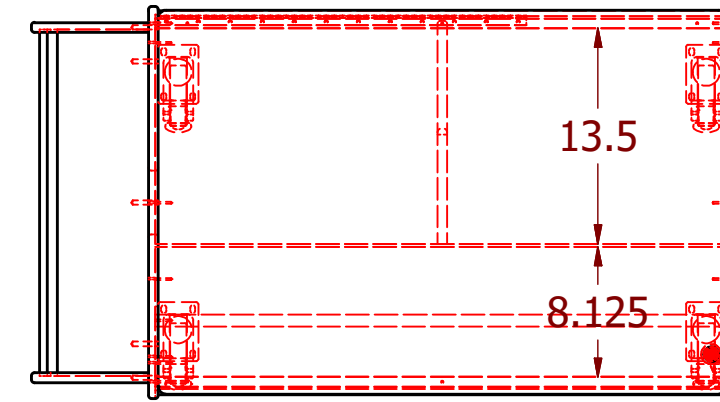
B

B

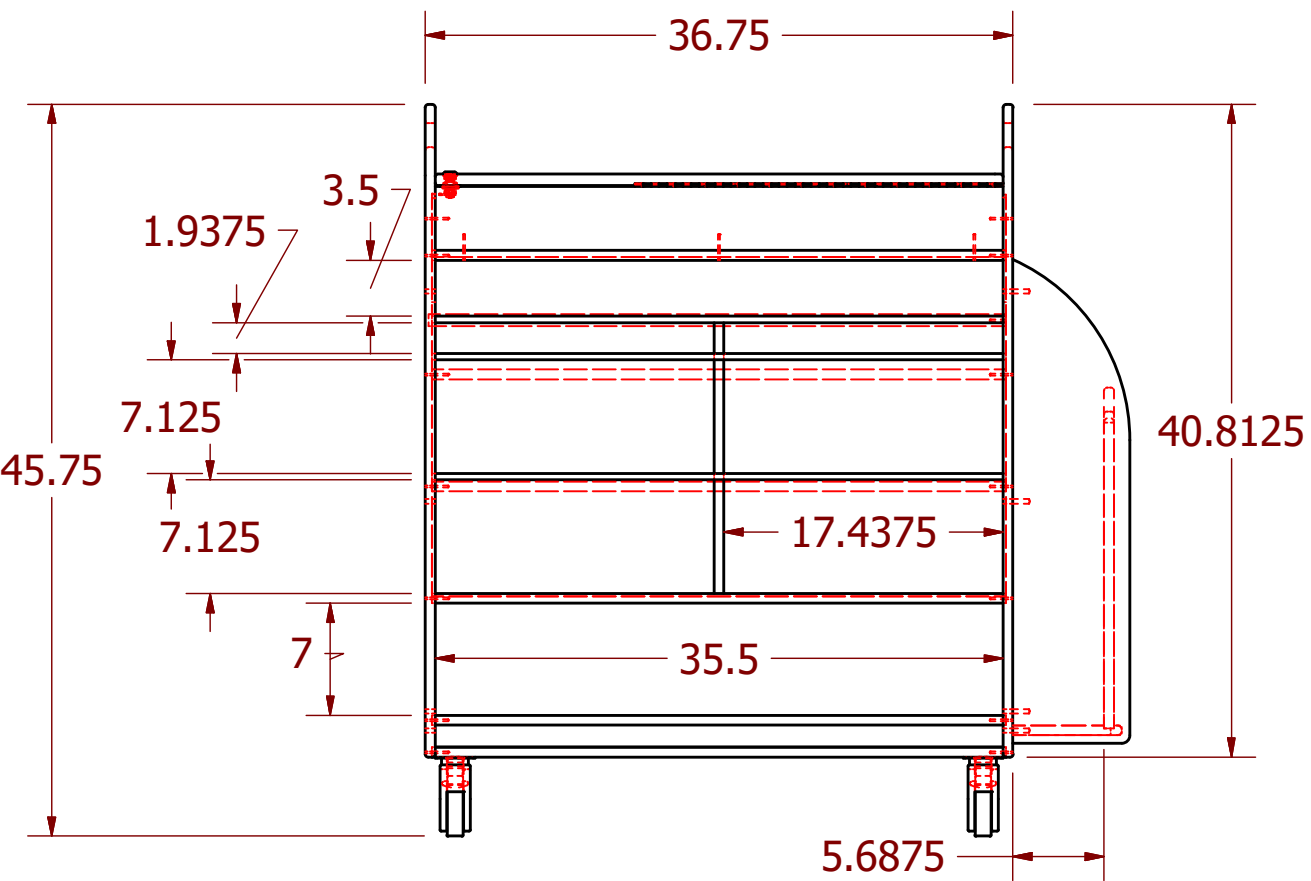
A

A

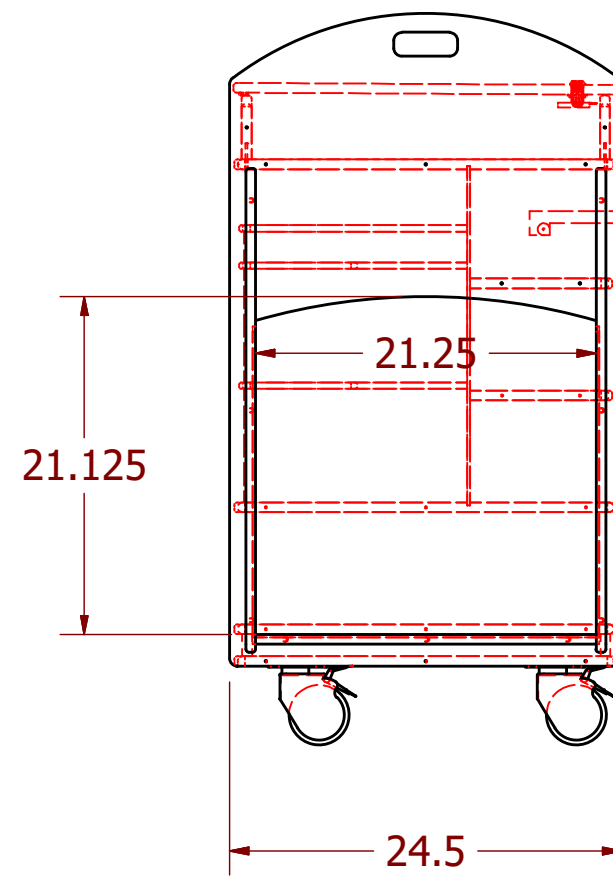
Top



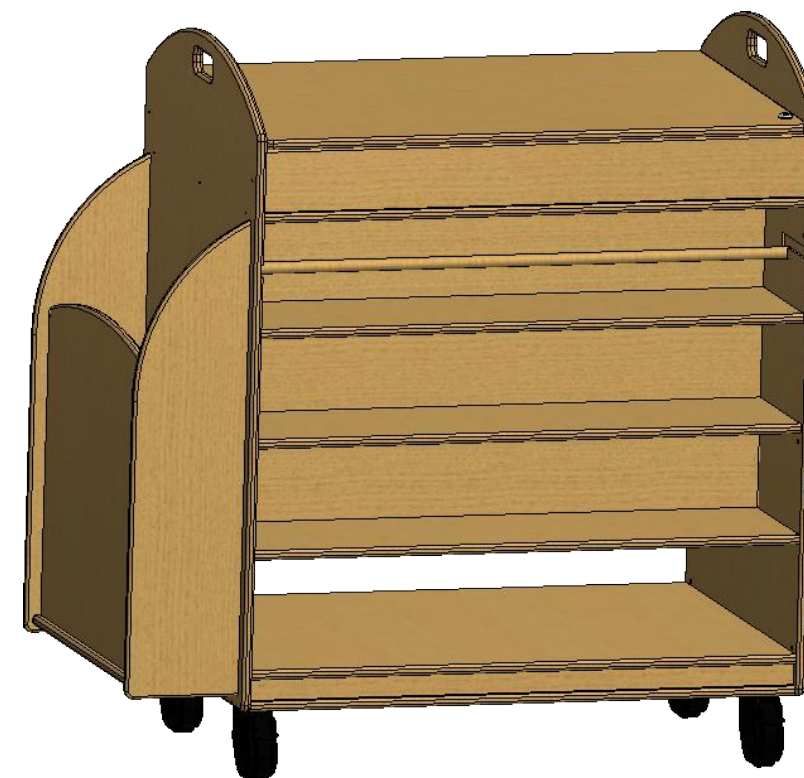
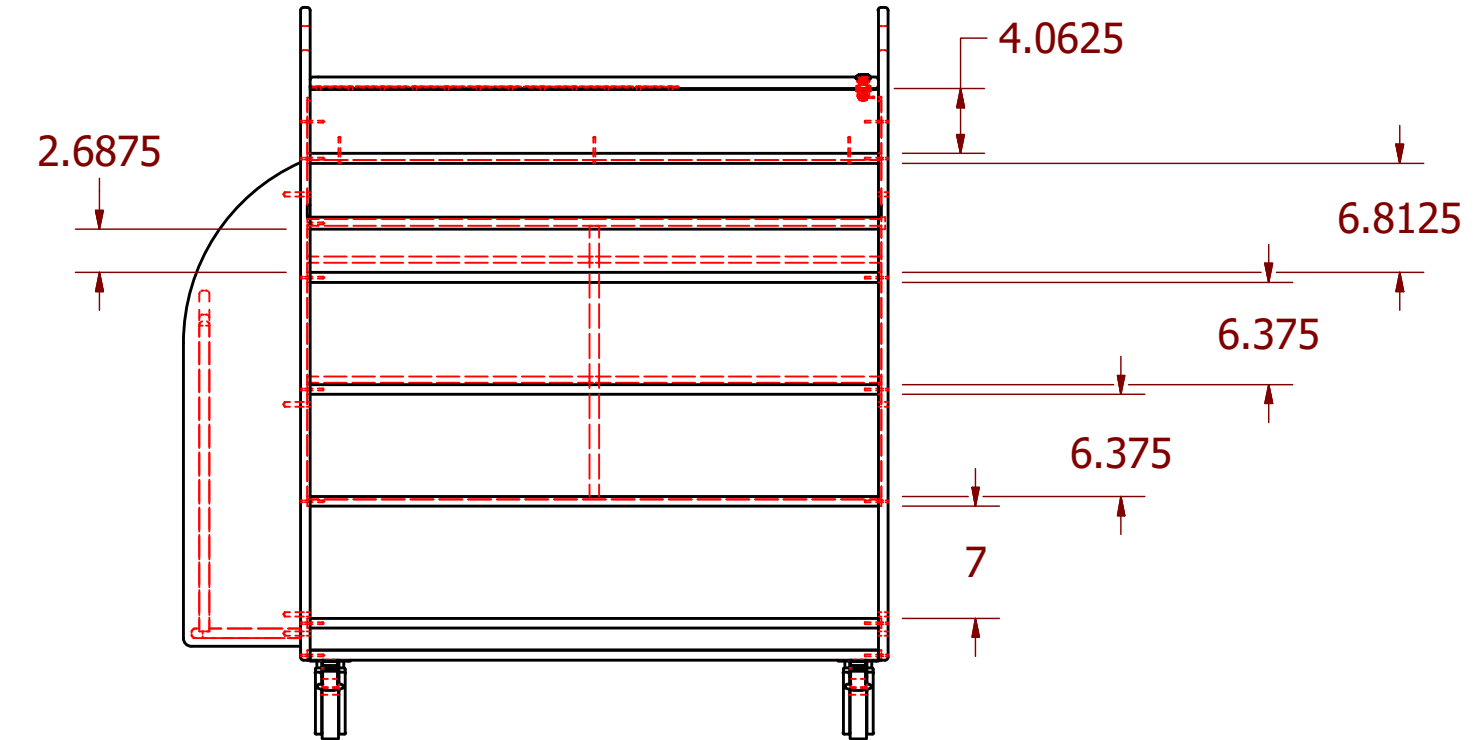
Back



Side



Front



SHEET 1 OF 1

Tolerance Unless Specified:
 X.mm ± 0.76 X.X ± .030
 X.Xmm ± 0.25 X.XX ± .010
 X.XXmm ± 0.13 X.XXX ± .005

Fractions: ± 3/32
 Angles: ± 0°, 30°

Third Angle Projection
 All Dimensions in Inches

Scale: 1"=1'-0"

Material: 100% Baltic Birch Plywood
 Finish: Exclusive Tuff-Gloss UV Finish
 Customer:



608 BROOME STREET
 MONROE, NORTH CAROLINA 28110

REV	DESCRIPTION	DATE	APPROVED
A	INITIAL RELEASE	7/18/2022	
REVISION HISTORY			

Sales No:	Description:	Rev:
jsmith	Makers Cart	A
Date Drawn:	Customer:	
3/1/2004	Makerspace Cart1	