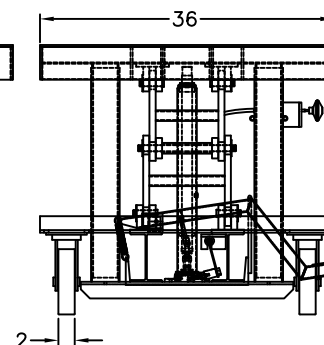
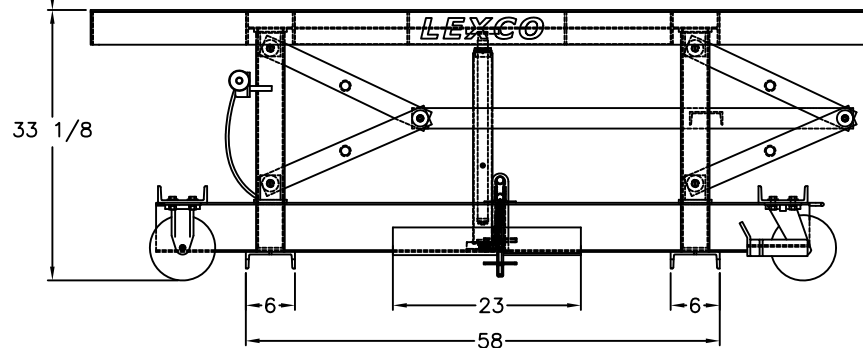
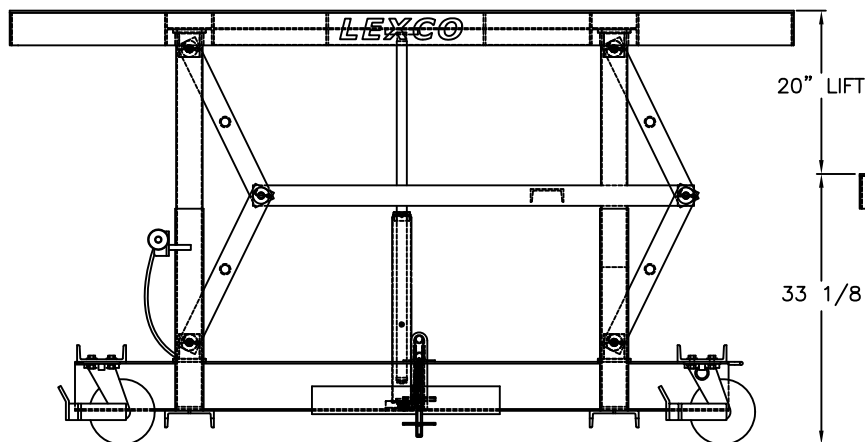


### Foot and Powered Portable Hydraulic Lift Table

- AC and DC power option available.
- Load stabilizer assembly on 5000 lbs models.
- 2 rigid and 2 swivel with brake 8" steel casters.
- Precision telescoping guide tubes.
- 2 floor locks.
- Table top 3000 lbs models: 0.25" thick steel.
- Table top 5000 lbs models: 0.25" thick steel.

#### Specs

Capacity: 5000 lbs  
 Table Size: 36" x 96"  
 Raised Height: 53.125"  
 Lowered Height: 33.125"  
 Caster: 8"  
 Lift: 20"  
 Weight: 1397 lbs



THIS DRAWING IN ALL PARTICULARS IS WESCO INDUSTRIAL PRODUCTS, LLC PROPERTY. ALL RIGHTS OF DESIGN, INVENTION OR USE OF ARE RESERVED.

PRINT ISSUED

JUNE 11, 2020

WESCO MANUFACTURING  
ENGINEERING DEPARTMENT

WESCO INDUSTRIAL PRODUCTS, LLC  
NORTH WALES PENNA. 19454

PART NAME STN-3608-5F

DRAWN:  
CHECKED:  
APP. ENGR.

TOLERANCE UNLESS OTHERWISE SPECIFIED  
 FRACTION 3 PLACE DECIMAL 2 PLACE DECIMAL  
 ± 1/64 ± .005 ± .01

SCALE:

ANGULAR ± 1-1/2" SHEET 1 OF 1  
BREAK ALL SHARP EDGES AND REMOVE ALL BURRS

C-492256 REV