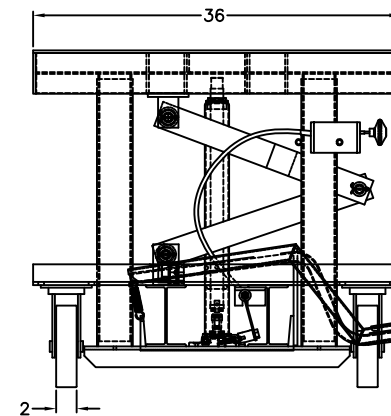
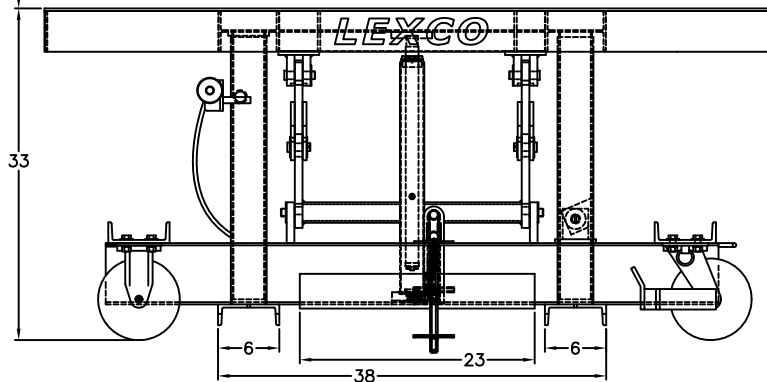
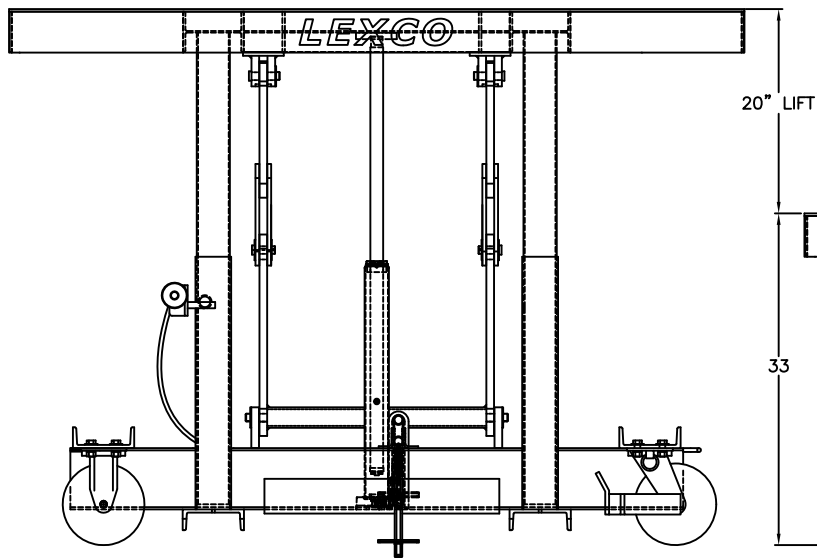


Foot and Powered Portable Hydraulic Lift Table

- AC and DC power option available.
- Load stabilizer assembly on 5000 lbs models.
- 2 rigid and 2 swivel with brake 8" steel casters.
- Precision telescoping guide tubes.
- 2 floor locks.
- Table top 3000 lbs models: 0.25" thick steel.
- Table top 5000 lbs models: 0.25" thick steel.

Specs

Capacity: 5000 lbs
 Table Size: 36" x 72"
 Raised Height: 53"
 Lowered Height: 33"
 Caster: 8"
 Lift: 20"
 Weight: 1074 lbs



THIS DRAWING IN ALL PARTICULARS IS WESCO INDUSTRIAL PRODUCTS, LLC PROPERTY. ALL RIGHTS OF DESIGN, INVENTION OR USE OF ARE RESERVED.

PRINT ISSUED

JUNE 11, 2020

WESCO MANUFACTURING
ENGINEERING DEPARTMENT

APP	WESCO INDUSTRIAL PRODUCTS, LLC	
	NORTH WALES	PENNA. 19454
ECN & DATE	PART NAME	STN-3606-5F
	DRAWN:	
	CHECKED:	
REVISIONS	TOLERANCE UNLESS OTHERWISE SPECIFIED	
	FRACTION	3 PLACE DECIMAL 2 PLACE DECIMAL
	± 1/64	± .005 ± .01
	ANGULAR ± 1-1/2°	SHEET 1 OF 1
REV.	BREAK ALL SHARP EDGES AND REMOVE ALL BURRS	
SCALE:		C-492255 REV