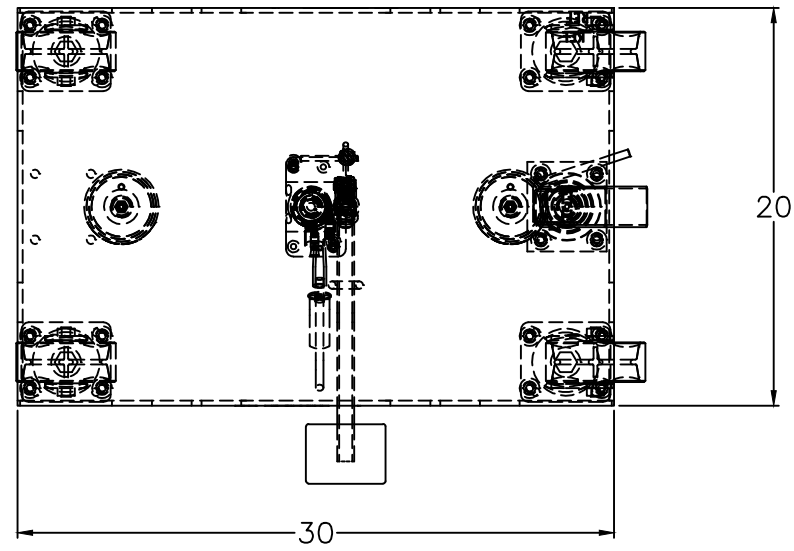
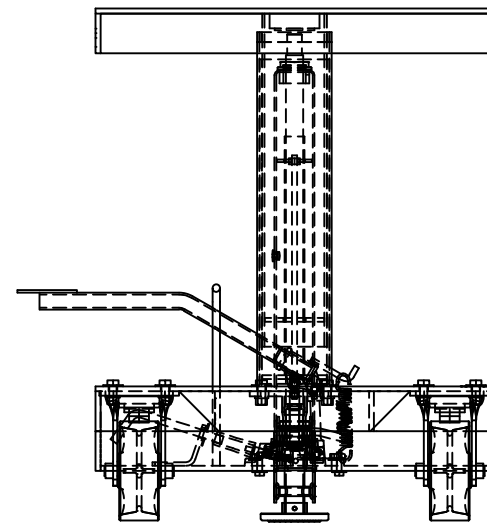
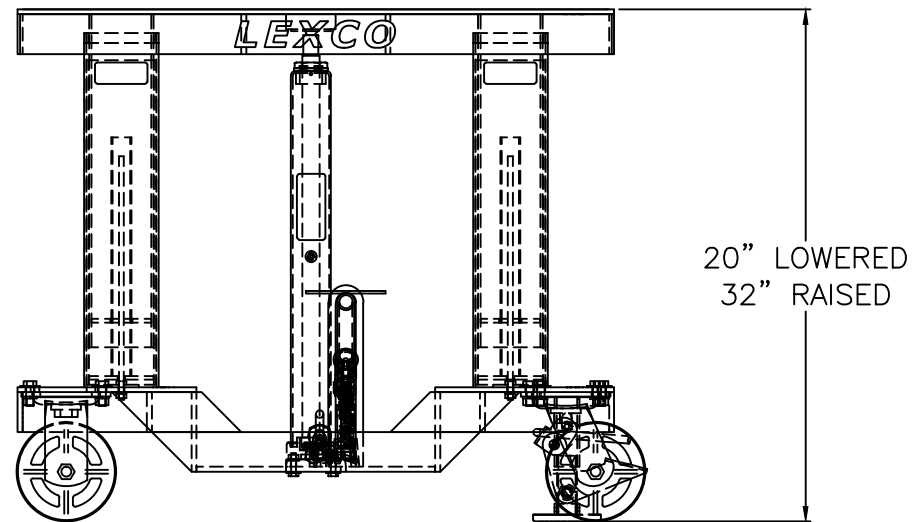


492238



Foot Operated Hydraulic Lift Table

- Top and base 12 gauge steel.
- 2 rigid and 2 swivel 5" diameter rubber casters.
- Floor lock.
- Optional phenolic resin, polyurethane and steel caster wheels.
- Precision telescoping guide tubes.



Specs

- Capacity: 500 lbs
- Table size: 20" x 30"
- Lowered height: 20"
- Raised height: 32"
- Caster size: 5"
- Lift: 12"
- Weight: 164 lbs
- Base: Drop

THIS DRAWING IN ALL PARTICULARS IS WESCO INDUSTRIAL PRODUCTS INC. PROPERTY. ALL RIGHTS OF DESIGN, INVENTION OR USE OF ARE RESERVED.

REV. ECN & DATE APP	WESCO INDUSTRIAL PRODUCTS INC.		LANSDALE PENNA. 19446	
	PART NAME		DRAWN:	
	HT-2302-05-FR		CHECKED:	
	TOLERANCE UNLESS OTHERWISE SPECIFIED		APP. ENGR.	
	FRACTION 3 PLACE DECIMAL 2 PLACE DECIMAL		SCALE:	
	± 1/64	± .005	± .01	
	ANGULAR ± 1-1/2'		SHEET 1 OF 1	B- 492238
	BREAK ALL SHARP EDGES AND REMOVE ALL BURRS			REV