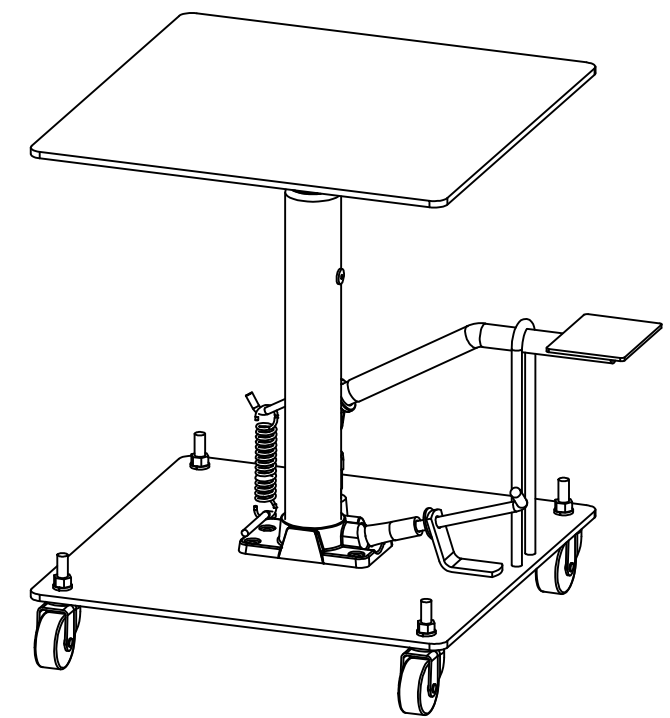
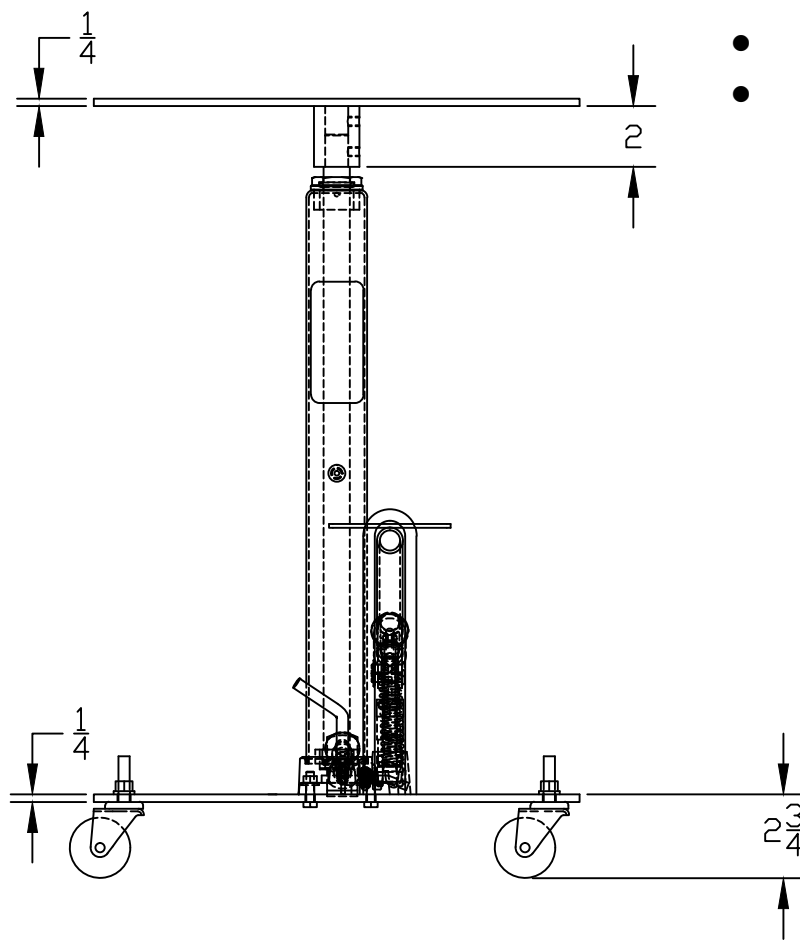
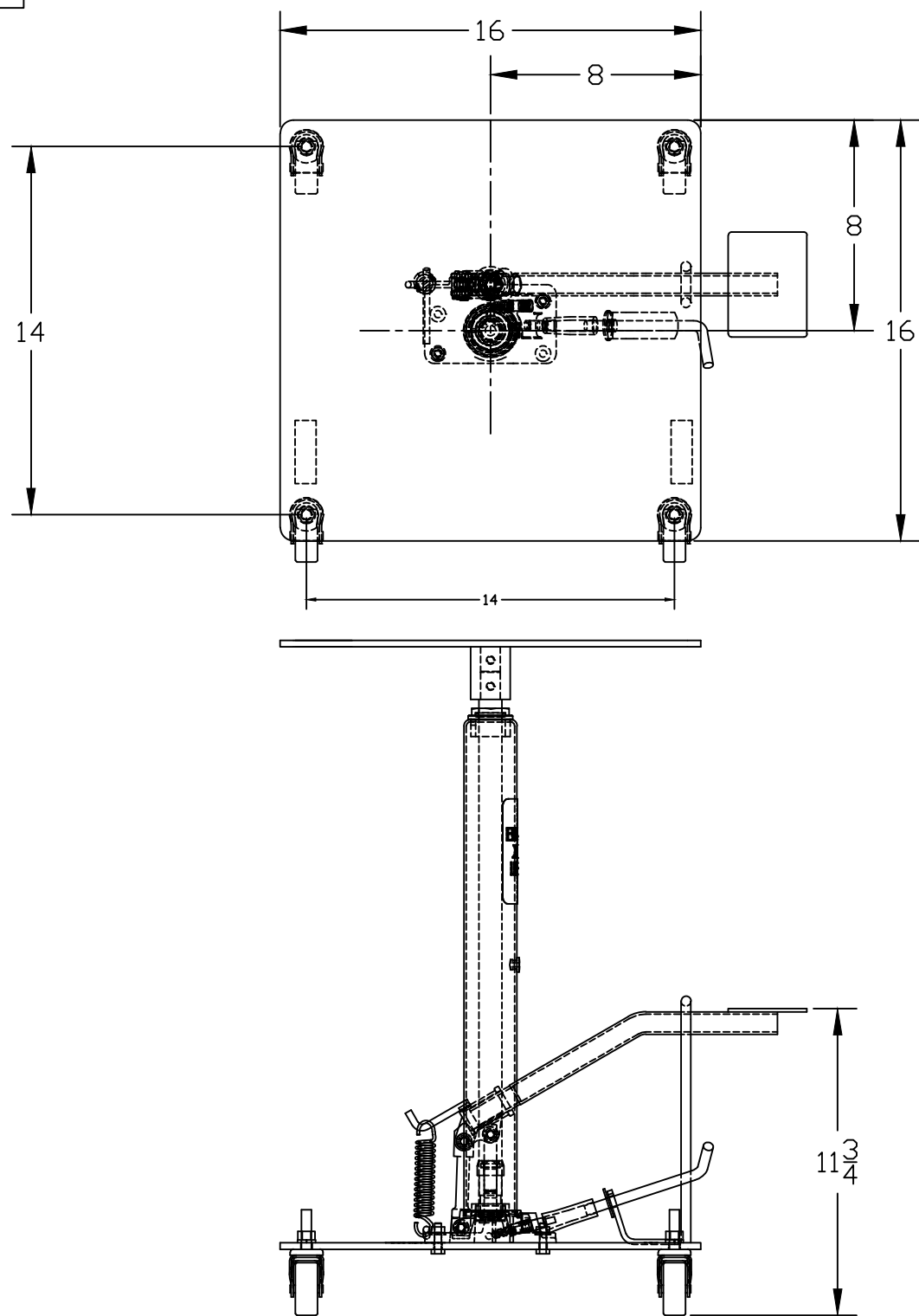


492223



Foot Operated Hydraulic Lift Table

- Top and base 3/16" steel.
- Top rotates 360 degrees.
- 4-swivel 2" diameter rubber casters.

Specs

- Capacity: 200 lbs
- Table size: 16" x 16"
- Lowered height: 20"
- Raised height: 32"
- Caster size: 2"
- Lift: 12"
- Weight: 50 lbs

THIS DRAWING IN ALL PARTICULARS IS WESCO INDUSTRIAL PRODUCTS INC. PROPERTY. ALL RIGHTS OF DESIGN, INVENTION OR USE OF ARE RESERVED.

PRINT ISSUED
OCT. 31, 2008
WESCO MANUFACTURING
ENGINEERING DEPARTMENT

6603 10/31/08 PRODUCTION RELEASE	JL	APP	WESCO INDUSTRIAL PRODUCTS INC.		DRAWN: J.L. 10-31-08
			LANSDALE PENNA. 19446		
			PART NAME HT-209-FR-A		
			200# CAPACITY LIFT TABLE		
			TOLERANCE UNLESS OTHERWISE SPECIFIED		CHECKED:
			FRACTION 3 PLACE DECIMAL 2 PLACE DECIMAL		APP. ENGR.
			± 1/64 ± .005 ± .01		SCALE: 1" = 1"
			ANGULAR ± 1-1/2'	SHEET 1 OF 1	492223
			BREAK ALL SHARP EDGES AND REMOVE ALL BURRS		REV A