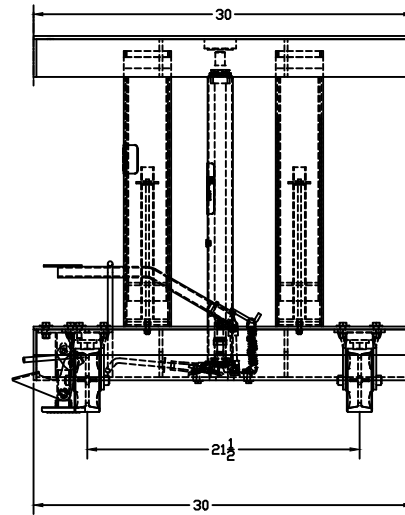
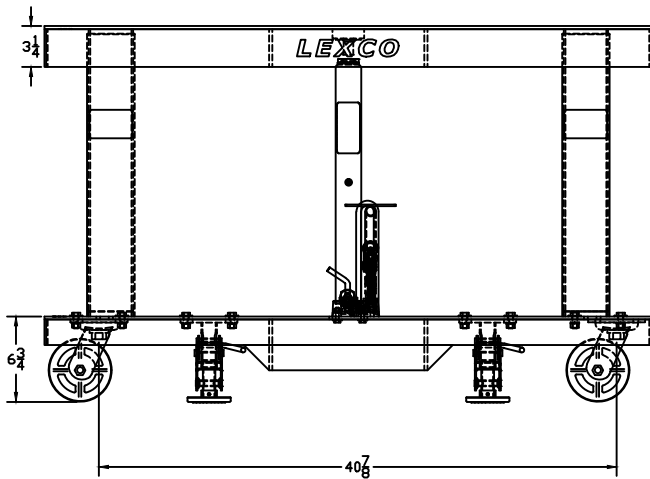


Foot and Electric Hydraulic Lift Table

- AC and DC power option available.
- 0.25" reinforced steel top and base.
- 2 rigid and 2 swivel 5" diameter steel wheels and 1 floor lock on 20" x 30" and 30" x 30" models.
- 4 swivel 5" diameter steel wheels and 2 floor locks on 30" x 40" models.
- Precision telescoping guide tubes.



Specs

- Capacity: 2000 lbs
- Table size: 30" x 48"
- Lowered height: 22"
- Raised height: 36"
- Caster: 5"
- Lift: 14"
- Weight(foot opp.): 472 lbs
- Weight(electric opp.): 551 lbs

THIS DRAWING IN ALL PARTICULARS IS WESCO INDUSTRIAL PRODUCTS INC. PROPERTY. ALL RIGHTS OF DESIGN, INVENTION OR USE OF ARE RESERVED.

PRINT ISSUED

NOV. 21, 2008

WESCO MANUFACTURING
ENGINEERING DEPARTMENT

REV.	EDW. & DATE	APP.
B	9492 07/09/10 496615 WAS 496602 496020 WAS 492010 REMOVED: 420019, 420025	JL
A	6614 11/21/08 PRODUCTION RELEASE	JL

WESCO INDUSTRIAL PRODUCTS INC.	
LANSDALE	PENNA. 19446
PART NAME HT-3424-24 HT SERIES, LIFT TABLE	DRAWN: J.L. 11-21-08
TOLERANCE UNLESS OTHERWISE SPECIFIED	CHECKED:
APP. ENGR.	
SCALE: 1" = 1"	
492214	REV B

FRACTION	3 PLACE DECIMAL	2 PLACE DECIMAL
± 1/64	± .005	± .01
ANGULAR ± 1-1/2"	SHEET 1 OF 1	
BREAK ALL SHARP EDGES AND REMOVE ALL BURRS		