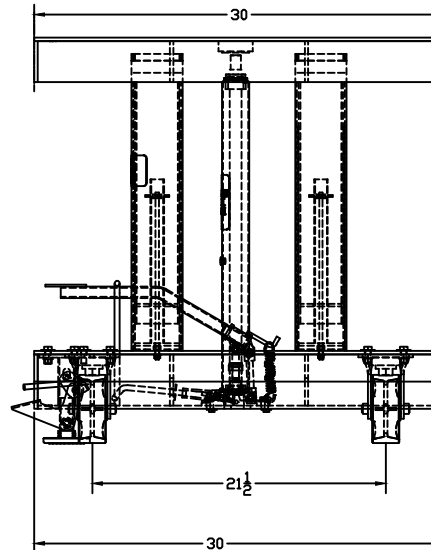
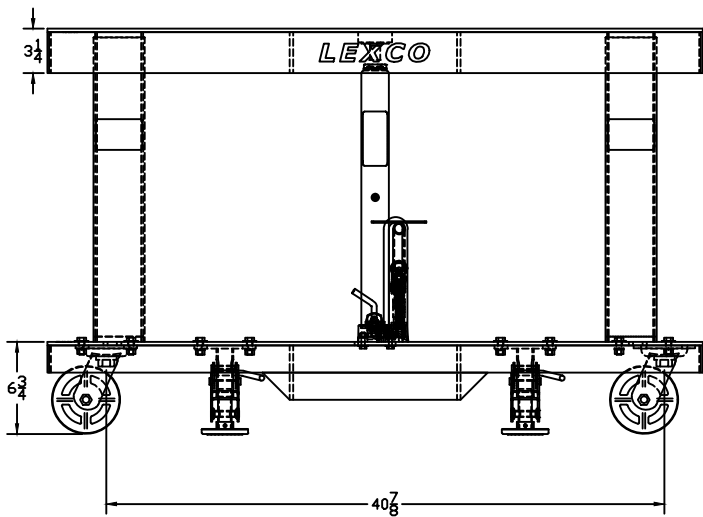


Foot and Electric Hydraulic Lift Table

- AC and DC power option available.
- 0.25" reinforced steel top and base.
- 2 rigid and 2 swivel 5" diameter steel wheels and 1 floor lock on 20" x 30" and 30" x 30" models.
- 4 swivel 5" diameter steel wheels and 2 floor locks on 30" x 40" models.
- Precision telescoping guide tubes.



Specs

- Capacity: 2000 lbs
- Table size: 30" x 48"
- Lowered height: 28"
- Raised height: 46"
- Caster: 5"
- Lift: 18"
- Weight(foot opp.): 472 lbs
- Weight(electric opp.): 551 lbs

THIS DRAWING IN ALL PARTICULARS IS WESCO INDUSTRIAL PRODUCTS INC. PROPERTY. ALL RIGHTS OF DESIGN, INVENTION OR USE OF ARE RESERVED.

PRINT ISSUED

NOV. 21, 2008

WESCO MANUFACTURING
ENGINEERING DEPARTMENT

9492 07/09/10	JL	APP
498615 WAS 498602		
498020 WAS 492010		
REMOVED: 492018, 492025		
6614 11/21/08	JL	APP
PRODUCTION RELEASE		
REV. 1	A	REV. 1

WESCO INDUSTRIAL PRODUCTS INC.	
LANSDALE PENNA. 19446	
PART NAME	HT-3488-24 HT SERIES, LIFT TABLE
DRAWN	J.L. 11-21-08
CHECKED	
APP. ENGR.	
TOLERANCE UNLESS OTHERWISE SPECIFIED	
FRACTION	3 PLACE DECIMAL 2 PLACE DECIMAL
± 1/64	± .005 ± .01
ANGULAR ± 1-1/2"	SHEET 1 OF 1
BREAK ALL SHARP EDGES AND REMOVE ALL BURRS	
SCALE: 1" = 1"	492211 REV B