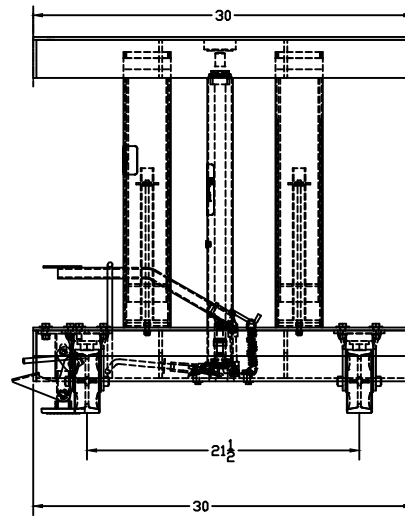
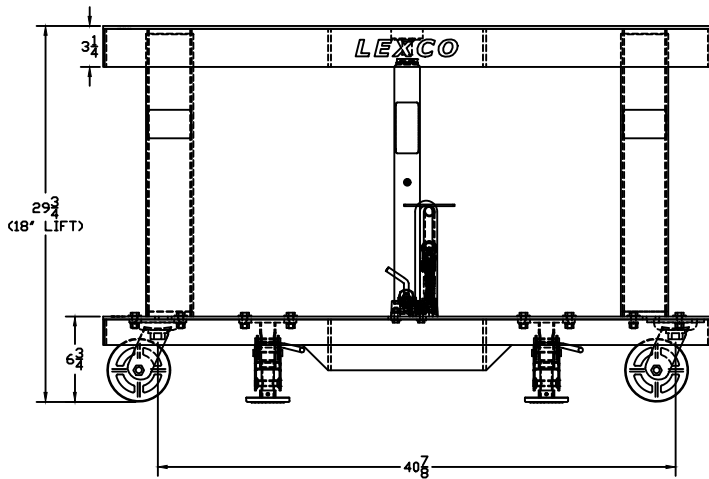


Foot and Electric Hydraulic Lift Table

- AC and DC power option available.
- 0.25" reinforced steel top and base.
- 2 rigid and 2 swivel 5" diameter steel wheels and 1 floor lock on 20" x 30" and 30" x 30" models.
- 4 swivel 5" diameter steel wheels and 2 floor locks on 30" x 40" models.
- Precision telescoping guide tubes.



Specs

- Capacity: 2000 lbs
- Table size: 30" x 48"
- Lowered height: 30"
- Raised height: 48"
- Caster: 5"
- Lift: 18"
- Weight(foot opp.): 460 lbs
- Weight(electric opp.): 539 lbs

THIS DRAWING IN ALL PARTICULARS IS WESCO INDUSTRIAL PRODUCTS INC. PROPERTY. ALL RIGHTS OF DESIGN, INVENTION OR USE OF ARE RESERVED.

PRINT ISSUED

NOV. 21, 2008

WESCO MANUFACTURING  
ENGINEERING DEPARTMENT

9492 07/09/10 498615 WAS 498602 498020 WAS 492010 REMOVED: 420019, 420025	JL	JL	APP	WESCO INDUSTRIAL PRODUCTS INC. LANSDALE PENNA. 19446		PART NAME		DRAWN: J.L. 11-21-08	
B	A	PRODUCTION RELEASE	REVISIONS			HT-3438-2F-A HT SERIES, LIFT TABLE		CHECKED:	
				TOLERANCE UNLESS OTHERWISE SPECIFIED		FRACTION		SCALE: 1" = 1"	
				± 1/8"		3 PLACE DECIMAL		± .005	
				ANGULAR ± 1-1/2°		2 PLACE DECIMAL		± .01	
				SHEET 1 OF 1		BREAK ALL SHARP EDGES AND REMOVE ALL BURRS		492210	
								REV B	