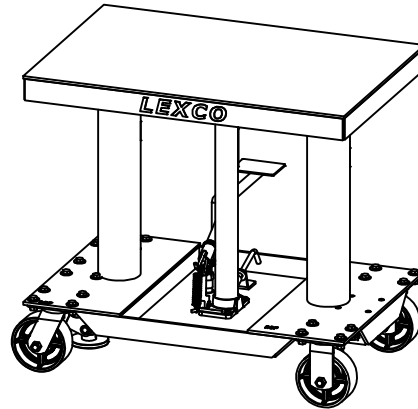
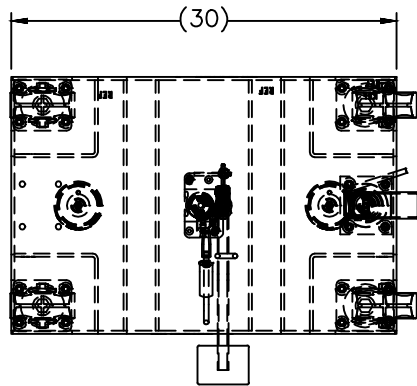
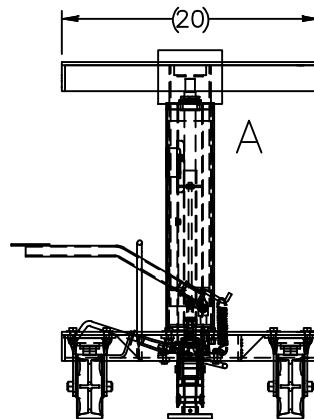
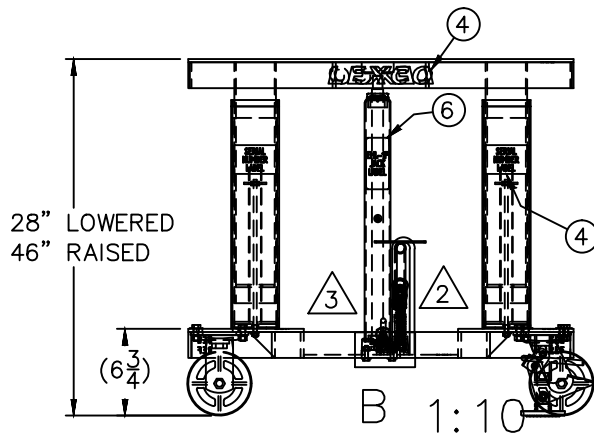


492205



Foot and Electric Hydraulic Lift Table

- AC and DC power option available.
- 0.25" reinforced steel top and base.
- 2 rigid and 2 swivel 5" diameter steel wheels and 1 floor lock on 20" x 30" and 30" x 30" models.
- 4 swivel 5" diameter steel wheels and 2 floor locks on 30" x 40" models.
- Precision telescoping guide tubes.



Specs

- Capacity: 2000 lbs
- Table size: 20" x 30"
- Lowered height: 28"
- Raised height: 46"
- Caster: 5"
- Lift: 18"
- Weight(foot opp.): 216 lbs
- Weight(electric opp.): 302 lbs

FINISH: Lexco Green

LEXCO Engineering & Manufacturing

TITLE: HT-2388-2F-A Hydraulic Lift Table

TUPMS-UNSCHEMAD
 HENGE ±16 H02ALB0000A
 GENA 21305
 21305
 AGE ±2
 DNEBSPN VLES MATH SHPES
 DNEBSPN VLES MATH SHPES

DWG#: 492205 Rev.: A
 WEIGHT: 216 lbm
 SHEET 1 OF 4 (Primary Views)
 DRAWN: W. Bednarz
 PROJECT:

SIZE
B