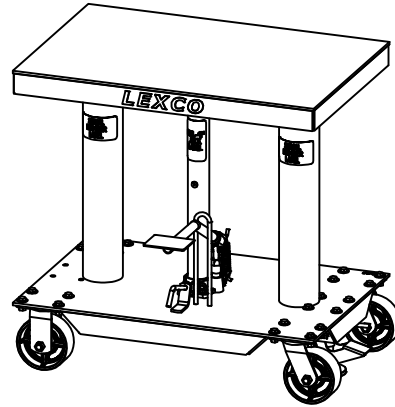
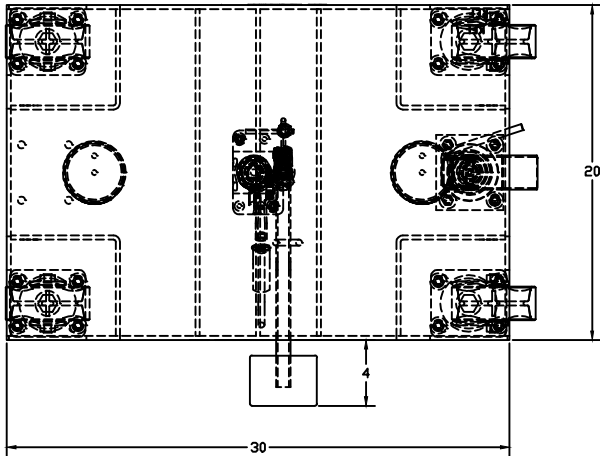
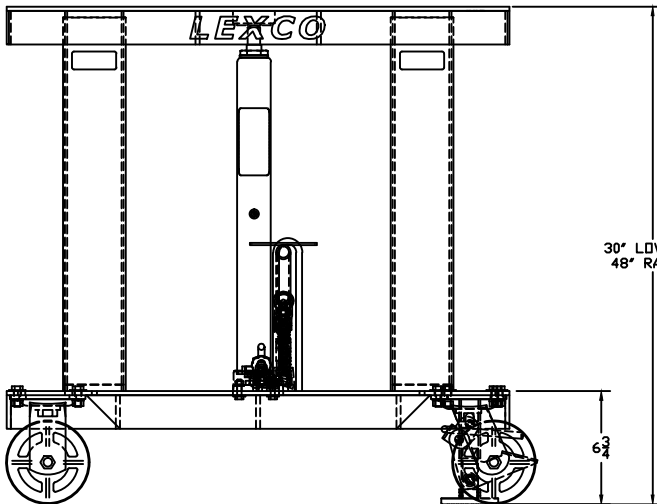


492204

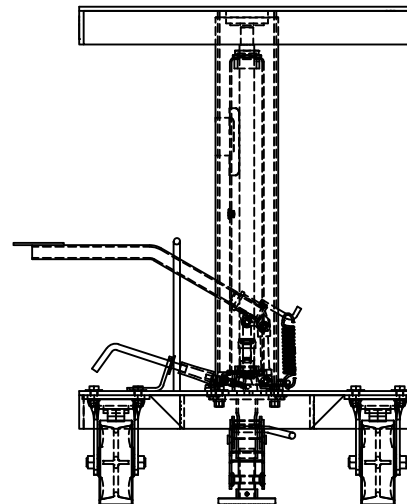


Foot and Electric Hydraulic Lift Table

- AC and DC power option available.
- 0.25" reinforced steel top and base.
- 2 rigid and 2 swivel 5" diameter steel wheels and 1 floor lock on 20" x 30" and 30" x 30" models.
- 4 swivel 5" diameter steel wheels and 2 floor locks on 30" x 40" models.
- Precision telescoping guide tubes.



30" LOWERED
48" RAISED



Specs

- Capacity: 2000 lbs
- Table size: 20" x 30"
- Lowered height: 30"
- Raised height: 48"
- Caster: 5"
- Lift: 18"
- Weight(foot opp.): 215 lbs
- Weight(electric opp.): 294 lbs

THIS DRAWING IN ALL PARTICULARS IS WESCO INDUSTRIAL PRODUCTS INC. PROPERTY. ALL RIGHTS OF DESIGN, INVENTION OR USE OF ARE RESERVED.

PRINT ISSUED

NOV. 21, 2008

WESCO MANUFACTURING
ENGINEERING DEPARTMENT

REV. A	6614 11/21/08	JL	APP.	WESCO INDUSTRIAL PRODUCTS INC.		DRAWN: J.L. 11-21-08
				LANSDALE PENNA. 19446		
PRODUCTION RELEASE				PART NAME		CHECKED:
REVISIONS				HT-2338-2F-A		
EQN & DATE				HT SERIES, LIFT TABLE		SCALE: 1" = 1"
TOLERANCE UNLESS OTHERWISE SPECIFIED				FRACTION		
± 1/84				3 PLACE DECIMAL		492204
± .005				2 PLACE DECIMAL		
ANGULAR ± 1-1/2'				± .01		
BREAK ALL SHARP EDGES AND REMOVE ALL BURRS						