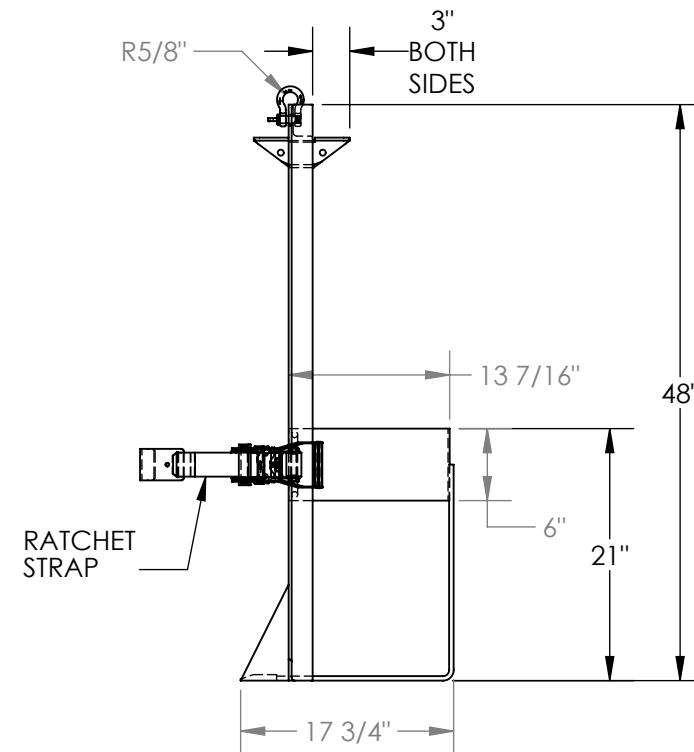
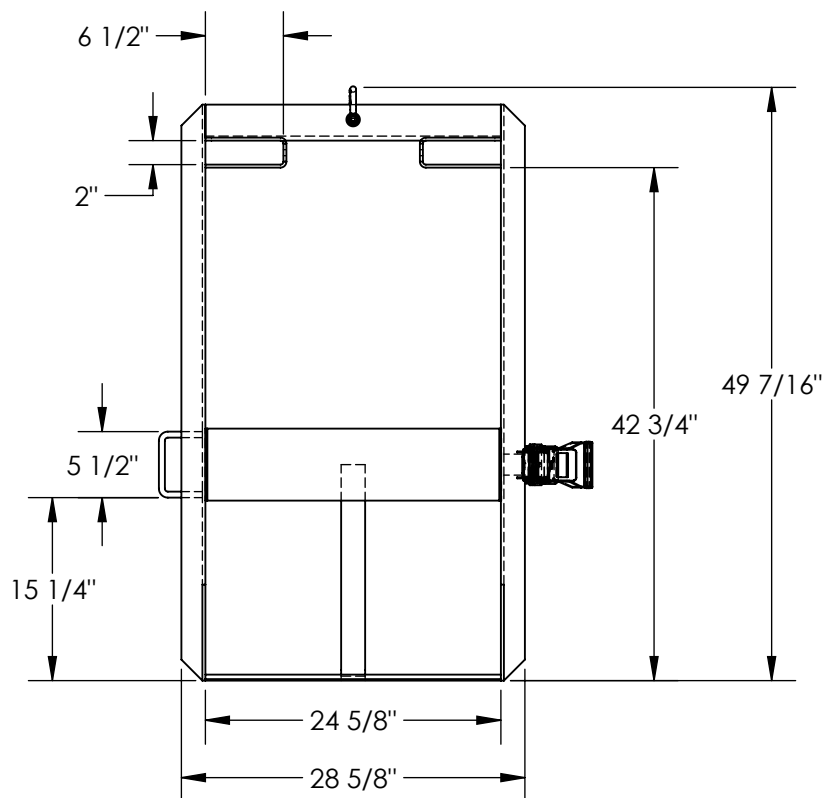


DRUM CARRIER/HOIST MOUNTED - DRUM-LUG

APPROX WEIGHT: 79.41 lbs.
DOES NOT INCLUDE WEIGHT OF POWER OR PACKAGING!!!

*** ANY ADDITIONS, DELETIONS, OR OMISSIONS MUST BE CORRECTED ON THIS DRAWING AS THIS DRAWING WILL BE CONSIDERED ALL INCLUSIVE ***

ALL GRAPHICS PROVIDED ARE FOR REFERENCE ONLY. IF CERTAIN DIMENSIONS ARE CRITICAL PLEASE VERIFY THOSE DIMENSIONS WITH YOUR SALESPERSON



DIMENSION TOLERANCE ± 1/4"

STANDARD FEATURES

- MODEL NUMBER IS DRUM-LUG
- OVERALL WIDTH IS 28 5/8"
- OVERALL LENGTH IS 17 3/4"
- OVERALL HEIGHT IS 49 7/16"
- UNIFORM CAPACITY IS 1,000 LBS
- RATCHET STRAP SECURES DRUM
- ACCOMMODATES 30 AND 55-GALLON STEEL, PLASTIC, AND FIBER DRUMS
- MAX DRUM WIDTH ALLOWANCE IS 24 5/8"
- HOIST MOUNTED FOR EASY TRANSPORT
- FORK POCKET SIZE IS 6 1/2" X 2"
- NON-TILTING STYLE DESIGNED FOR STRAIGHT VERTICAL LIFTING ONLY
- TOUGH BAKED IN POWDER COATED YELLOW FINISH

SPECIAL FEATURES

NONE

A P P R O V A L

I, THE UNDERSIGNED, AGREE THAT THE PRODUCT AS REPRESENTED SATISFIES DESIGN AND DIMENSION REQUIREMENTS. I ALSO ACKNOWLEDGE MY DUTY TO CONFIRM PRODUCT AND INSTALLATION COMPLIANCE WITH ALL APPLICABLE FEDERAL, STATE AND LOCAL REGULATIONS AND STANDARDS.

ANY MODIFIED UNITS ARE NON-RETURNABLE

As drawn As marked

Signed: _____ Date: _____

Printed Name: _____

LEAD TIME WILL START UPON RECEIPT OF SIGNED APPROVAL DRAWING

| | |
|---|--|
| FOR INTERNAL USE ONLY PROJECT SIGN OFF | |
| SALES | |
| ENG. | |
| FAB. | |
| POWER | |

| | | |
|--|--------------|--------------------------|
| DISTRIBUTOR'S NAME: VESTIL MANUFACTURING | | P.O.# X |
| DRAWN BY: DEY | | W.O.# X |
| DATE: 4/12/11 | SALES: X | FILE NAME: 09-007-167 |
| REFERENCE: X | SCALE: 1:16 | |
| QUOTED LEAD TIME: X | QUOTE # X | |