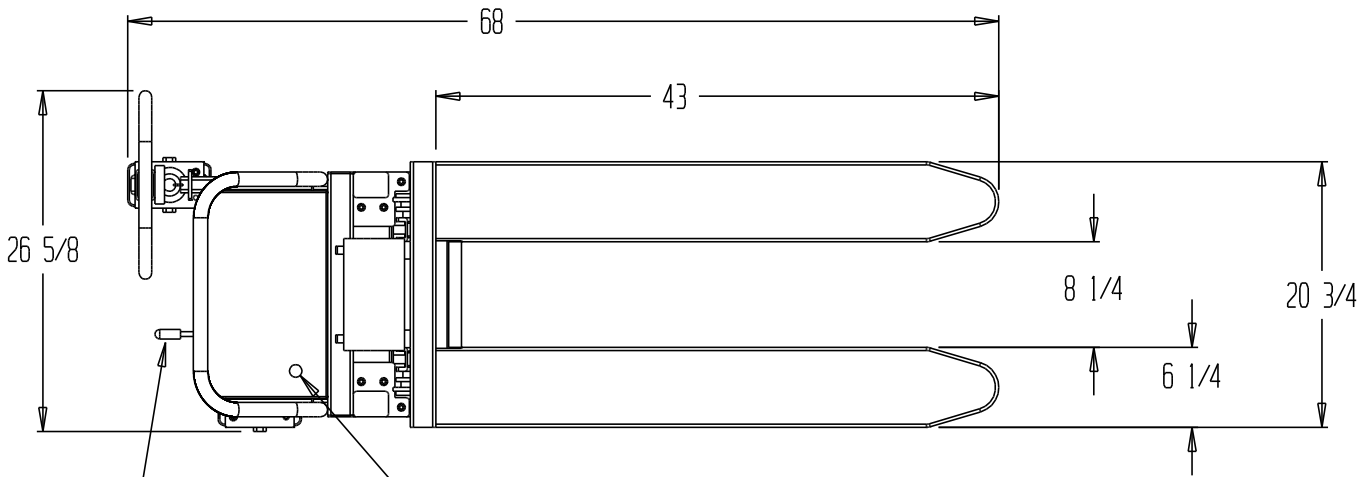


# TOTE-A-LOAD, TAL-220-DC

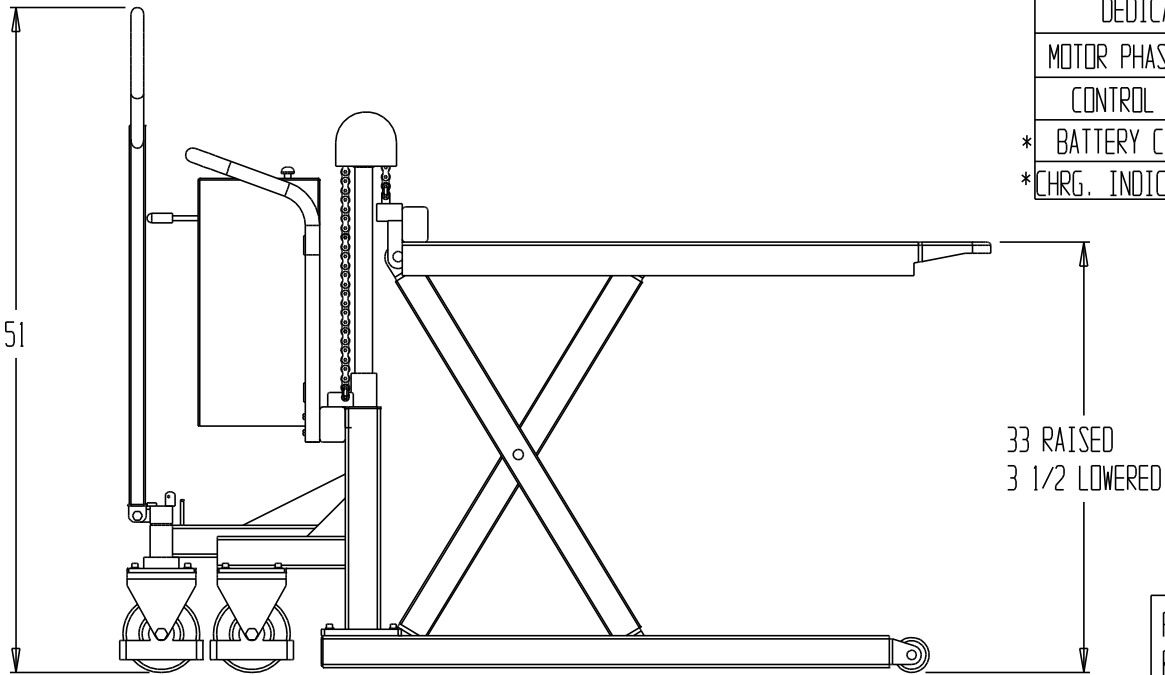


RAISE/LOWER HANDLE

EMERGENCY STOP

**PLEASE CIRCLE SPECIFICATIONS:**

POWER	<del>AC</del>	<b>DC (12V)</b>	<del>AIR/OIL</del>
MOTOR VOLTAGE	<del>115</del>	<del>208</del>	<del>230</del> <b>460</b>
DEDICATED CIRCUIT REQUIRED			
MOTOR PHASE	<del>SINGLE</del>	<del>THREE</del>	
CONTROL	<b>HAND</b>	<del>*FOOT</del>	
* BATTERY CHRG.	<del>REMOTE</del>	<b>ON-BOARD</b>	
* CHRG. INDICATOR	<b>YES</b>	<del>NO</del>	



PRODUCTION WILL START UPON RECEIPT OF SIGNED APPROVAL DRAWING

## STANDARD FEATURES

- MODEL NUMBER: TAL-220-DC
- CAPACITY: 2,200 LBS.
- OVERALL WIDTH: 26 5/8"
- OVERALL LENGTH: 68"
- OVERALL HEIGHT: 51"
- RAISED FORK HEIGHT: 33"
- LOWERED FORK HEIGHT: 3 1/2"
- USABLE FORK LENGTH: 43"
- OVERALL FORK WIDTH: 20 3/4"
- INDIVIDUAL FORK WIDTH: 6 1/4"
- STANDARD 12 V DC POWERED

## SPECIAL FEATURES

NONE

## APPROVAL

I, the undersigned, hereby approve this print  
 [ ] As drawn [ ] As marked  
 This includes my approval of design & dimensions.  
 Signed: \_\_\_\_\_  
 Date: \_\_\_\_\_

DISTRIBUTOR'S NAME: <b>T &amp; S EQUIPMENT</b>		P.O.#: _
DRAWN BY: SR		W.O.#: _
DATE: 6-4-04	SALES: _	
REFERENCE: -	DRWG./FILE NAME: TAL-220-DC	

\*\*SPECIAL UNITS ARE NON-RETURNABLE  
 \*AVAILABLE AT ADDITIONAL COSTS

scale: 1:15