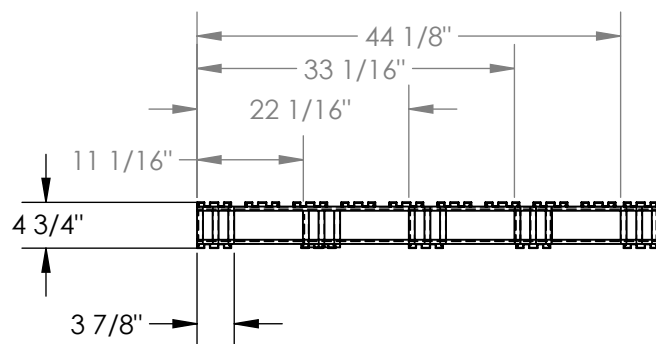
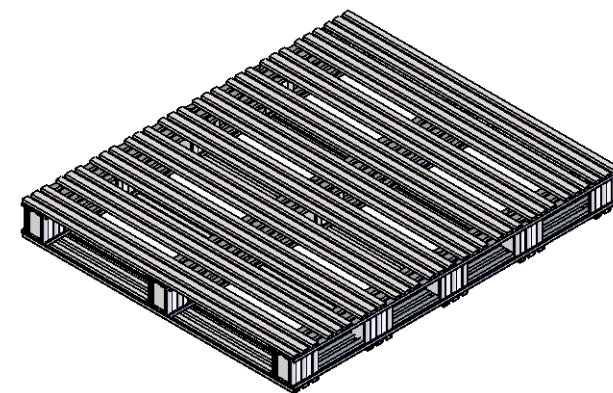
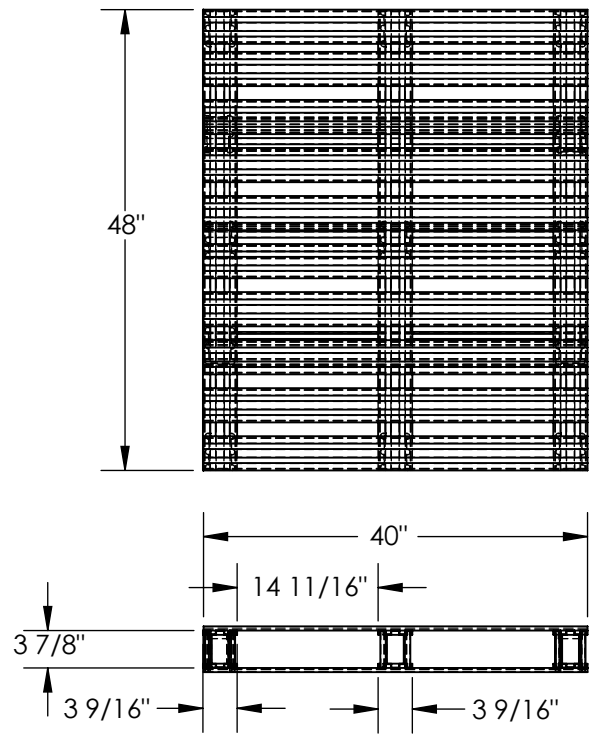


STEEL PALLET WITH GALVANIZED FINISH - SPL-4048

*** ANY ADDITIONS, DELETIONS, OR OMISSIONS MUST BE CORRECTED ON THIS DRAWING AS THIS DRAWING WILL BE CONSIDERED ALL INCLUSIVE ***
 ALL GRAPHICS PROVIDED ARE FOR REFERENCE ONLY. IF CERTAIN DIMENSIONS ARE CRITICAL PLEASE VERIFY THOSE DIMENSIONS WITH YOUR SALESPERSON



STANDARD FEATURES

- MODEL NUMBER IS SPL-4048
- OVERALL WIDTH IS 40"
- OVERALL LENGTH IS 48"
- OVERALL HEIGHT IS 4 3/4"
- FLOOR (STATIC) WEIGHT CAPACITY: 8,000 LBS
- FORK (DYNAMIC) WEIGHT CAPACITY: 4,000 LBS
- UNSUPPORTED PALLET RACK WEIGHT CAPACITY: 2,200 LBS
- FORK OPENINGS (W X H): 14 11/16" X 3 7/8"
- GALVANIZED FINISH FOR RUST RESISTANCE
- MATERIAL THICKNESS IS 19 GA. (1 mm OR .042")

SPECIAL FEATURES

NONE

DIMENSION TOLERANCE ± 1/2"

| | | |
|--|--|--|
| A P P R O V A L | I, THE UNDERSIGNED, AGREE THAT THE PRODUCT AS REPRESENTED SATISFIES DESIGN AND DIMENSION REQUIREMENTS. I ALSO ACKNOWLEDGE MY DUTY TO CONFIRM PRODUCT AND INSTALLATION COMPLIANCE WITH ALL APPLICABLE FEDERAL, STATE AND LOCAL REGULATIONS AND STANDARDS. | |
| | ALL SPECIAL UNITS ARE NON-RETURNABLE | |
| | [] As drawn [] As marked | |
| | Signed: _____ Date: _____ | |
| LEAD TIME WILL START UPON RECEIPT OF SIGNED APPROVAL DRAWING | | |

| | | | | |
|---|--|----------------------|----------------|------------|
| FOR INTERNAL USE ONLY PROJECT SIGN OFF | | DISTRIBUTOR'S NAME: | | P.O.# |
| SALES | | VESTIL MANUFACTURING | | X |
| ENG. | | DRAWN BY: DY | DATE: 12/29/10 | W.O.# |
| FAB. | | REFERENCE: X | SCALE: 1:24 | X |
| POWER | | QUOTED LEAD TIME: X | QUOTE # X | FILE NAME: |
| | | | | 30-007-116 |