

T & S Equipment Company
 2999 North Wayne St., Angola, IN 46703
 Ph: 260-665-9521 Fax: 260-665-1339
 E-mail: sales@tseq.com
 Website: www.tseq.com

Revised 04-02

*A company dedicated to solving ergonomic
 and material handling problems since 1955.*

Ergonomic Solutions

OWNER'S MANUAL

QUICK INSTALL TROLLEY • SERIES QIT

Contents

Models	1	Application	1
Receiving Instructions / Warranty	1	Installation	1

MODELS

QIT-1	Fits I-Beams 3" to 7-3/4"	Capacity 1,000 lbs.
QIT-2	Fits I-Beams 3" to 7-3/4"	Capacity 2,000 lbs.
QIT-4	Fits I-Beams 3" to 7-3/4"	Capacity 4,000 lbs.
QIT-6	Fits I-Beams 3" to 7-3/4"	Capacity 6,000 lbs.

lubricated double sealed ball bearings for smooth operation. It is perfect for use in factories, mines, farms, construction sites, docks, warehouses, or any other location that a gantry crane is in use. This model is for used on straight tracks and accepts most hook-type hoists.

RECEIVING INSTRUCTIONS

Every unit is thoroughly tested and inspected prior to shipment. However, it is possible that the unit may incur damage during transit. If damage is noticed when unloading, make a note of it on the **BILL OF LADING**. Remove all packing and strapping material, then inspect the unit again for damage. **IF DAMAGE IS EVIDENT, FILE A CLAIM WITH THE CARRIER IMMEDIATELY!**

INSTALLATION

Installation of the QIT series is achieved by tightening the screwing mechanism to desired tightness on the gantry crane (Rotate clockwise). When desired tightness is achieved tighten the locking ring to assure that the trolley will not drift horizontally. (Rotate locking ring counterclockwise). After the trolley is secured to the gantry crane I-Beam you can add any attachment that fits your application and begin work.

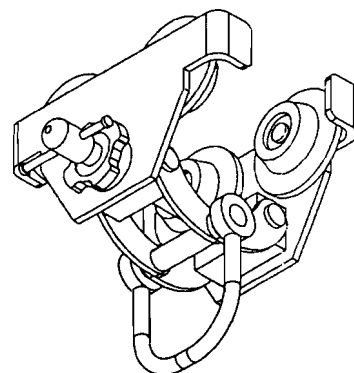
WARRANTY

This product is warranted for 90 DAYS from date of purchase to be free of manufacturing defects in material and workmanship.

This warranty does not cover normal wear of parts or damage resulting from any of the following: negligent use or misuse of the product, use or application contrary to installation instructions, or disassembly, repair or alteration by any person prior to authorization from a factory representative.

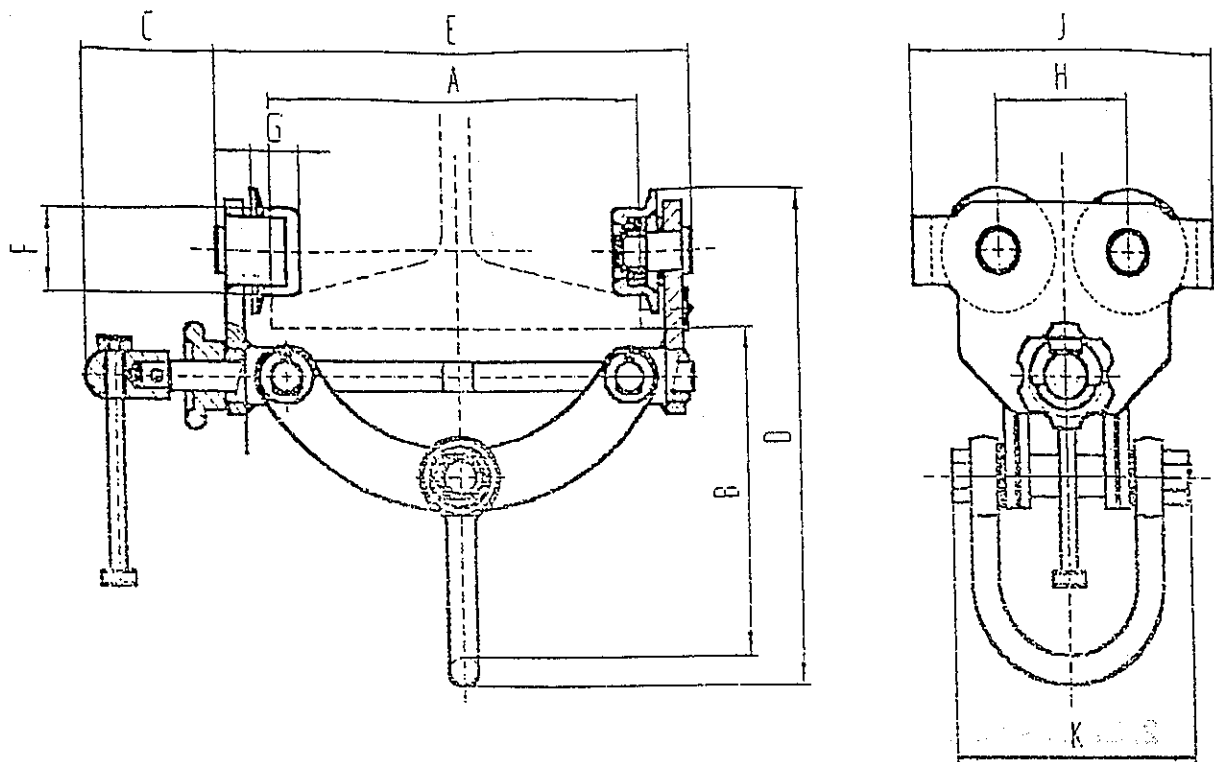
APPLICATION

This trolley was designed with quick and easy installation in mind while maintaining an elite standard for safety (Meets both ANSI and ASME requirements). The QIT series features cast iron construction and hardened steel wheels with pre-



**QUICK INSTALL TROLLEY
 SERIES QIT**

Copyright T&S Equipment Company 2002



SPECIFICATIONS

TYP	Br	05	10	20	30	60	100
Load	t	0.5	1	2	3	6	10
I-steel width /min	mm	75	75	75	75	100	100
I-steel width /max	mm	130	130	200	200	300	300
Gross weight	Kg	6.5	7.5	8	18	31	62
Net weight	Kg	6	7	7.5	17	30	47
Packing size	cm	26x16x15	28x18x17.5	34.5x18.5x19	39x31x24	51x38x30	54x46x33
Curved radius	m	0.7	1	1	1.3	1.7	3.5
Bmax/min	mm	155/125	190/159	237/181	247/196	337/223	348/236
Cmax/min	mm	96/68	101/73	136/73	157/94	207/105	211/106
Dmax/min	mm	225/199	266/241	299/251	365/314	467/384	503/421
Emax/min	mm	172/117	182/127	256/131	271/146	337/223	397/187
F	mm	42	46	46	68	84	104
G	mm	22	24	24	32	36	40
H	mm	66	74	74	140	170	200
J	mm	146	166	170	280	346	404
K	mm	130	154	154	194	210	235