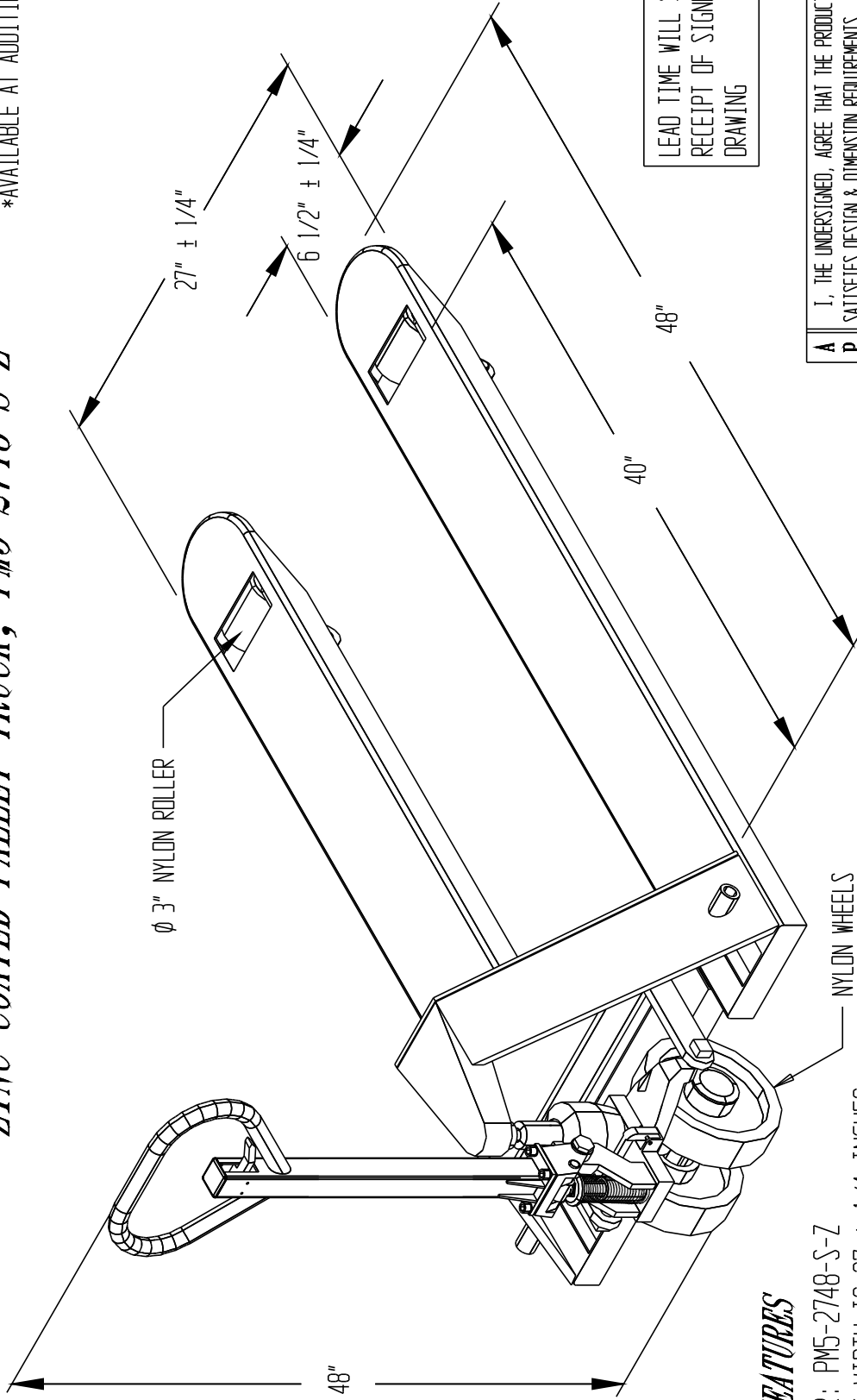


# ZINC COATED PALLET TRUCK, PM5-2748-S-Z

\*\*SPECIAL UNITS ARE NON-RETURNABLE  
\*AVAILABLE AT ADDITIONAL COSTS



## STANDARD FEATURES

- MODEL NUMBER: PM5-2748-S-Z
- OVERALL FORK WIDTH IS 27 ± 1/4 INCHES
- OVERALL FORK LENGTH IS 48 INCHES
- CAPACITY IS 5,500 LBS
- LOWERED HEIGHT IS 2 7/8 INCHES
- RAISED HEIGHT IS 7 3/4 INCHES
- UNIT IS ZINC COATED
- NYLON WHEELS & ROLLERS

## SPECIAL FEATURES

NONE

I, THE UNDERSIGNED, AGREE THAT THE PRODUCT AS REPRESENTED SATISFIES DESIGN & DIMENSION REQUIREMENTS. I ALSO ACKNOWLEDGE MY DUTY TO CONFIRM PRODUCT & INSTALLATION COMPLIANCE WITH ALL APPLICABLE FEDERAL, STATE AND LOCAL REGULATIONS & STANDARDS.  
**ALL SPECIAL UNITS ARE NON-RETURNABLE**  
( ) As drawn ( ) As marked  
Signed: \_\_\_\_\_ Date: \_\_\_\_\_  
LEAD TIME WILL START UPON RECEIPT OF SIGNED APPROVAL DRAWING

FOR INTERNAL USE ONLY	PROJECT SIGN OFF
SALES	
ENG	
FAB.	
POWER	

DISTRIBUTOR'S NAME:

**VESTIL MFG**

P.O.#: -

W.O.#: -

SALES: -

DATE: -

SCALE: NTS

REFERENCE: -

DRWG./FILE NAME:

QUOTE #: -

PM5-2748-S-Z

## NOTE !!

THRUST PLATE IS CHROME PLATED! ALL OTHERS ARE ZINC PLATED.