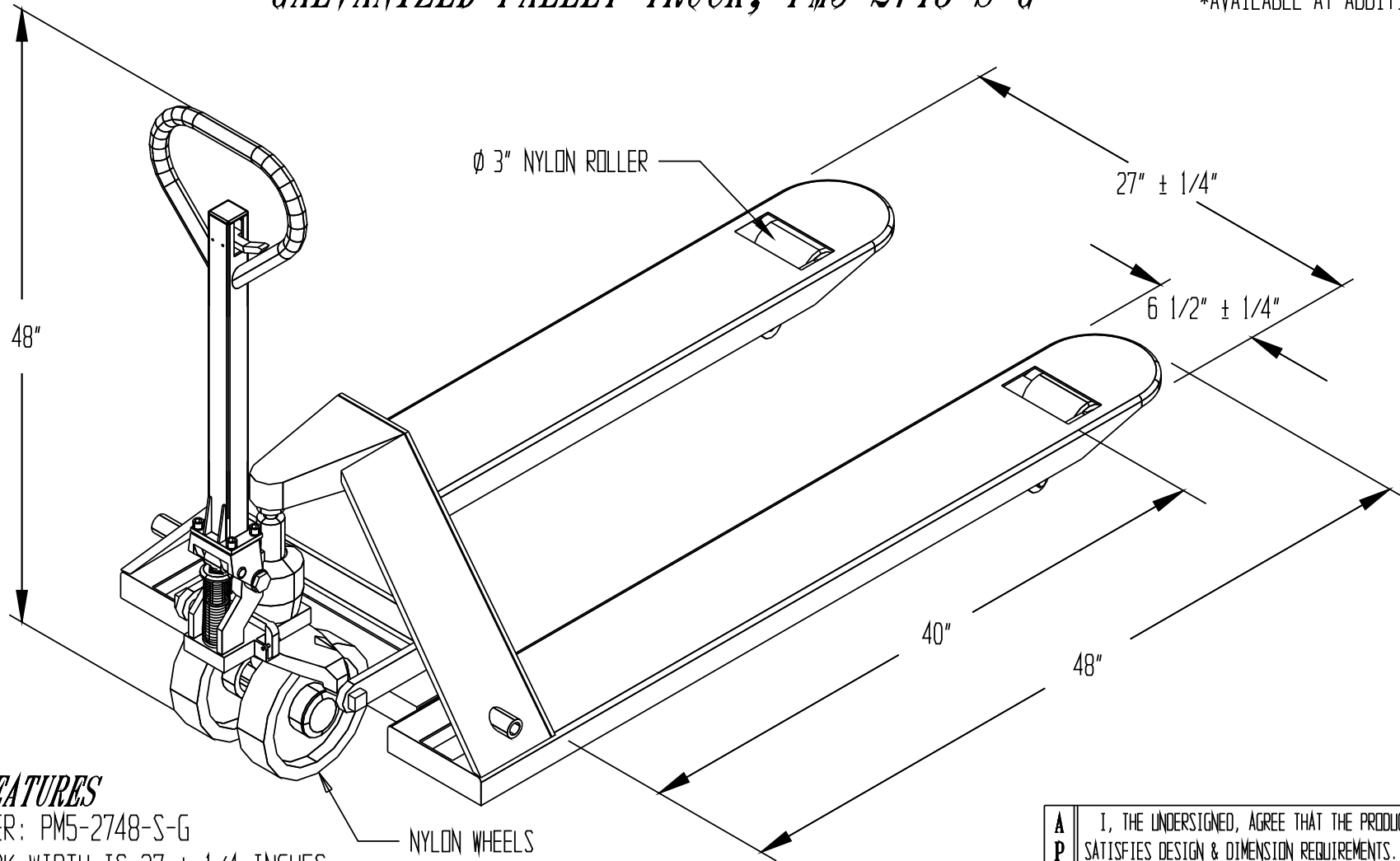


GALVANIZED PALLET TRUCK, PM5-2748-S-G

**SPECIAL UNITS ARE NON-RETURNABLE
*AVAILABLE AT ADDITIONAL COSTS



STANDARD FEATURES

MODEL NUMBER: PM5-2748-S-G
 OVERALL FORK WIDTH IS 27 ± 1/4 INCHES
 OVERALL FORK LENGTH IS 48 INCHES
 CAPACITY IS 5,500 LBS
 LOWERED HEIGHT IS 2 7/8 INCHES
 RAISED HEIGHT IS 7 3/4 INCHES
 UNIT IS GALVANIZED
 NYLON WHEELS & ROLLERS

SPECIAL FEATURES

NONE

A I, THE UNDERSIGNED, AGREE THAT THE PRODUCT AS REPRESENTED
P SATISFIES DESIGN & DIMENSION REQUIREMENTS. I ALSO ACKNOWLEDGE
P MY DUTY TO CONFIRM PRODUCT & INSTALLATION COMPLIANCE WITH ALL
R APPLICABLE FEDERAL, STATE AND LOCAL REGULATIONS & STANDARDS.
O **ALL SPECIAL UNITS ARE NON-RETURNABLE**
V [] As drawn [] As marked
A Signed: _____ Date: _____
L LEAD TIME WILL START UPON RECEIPT OF SIGNED APPROVAL DRAWING

DISTRIBUTOR'S NAME: VESTIL MFG		P.O.#: -
DRAWN BY: _____		W.O.#: -
DATE: -	SALES: -	
REFERENCE: -	SCALE: -	DRWG./FILE NAME: -
QUOTED LEADTIME: -	QUOTE #: -	

NOTE !!

PUMP ASSEMBLY & THRUST PLATE ARE CHROME PLATED ALL OTHERS ARE GALVANIZED