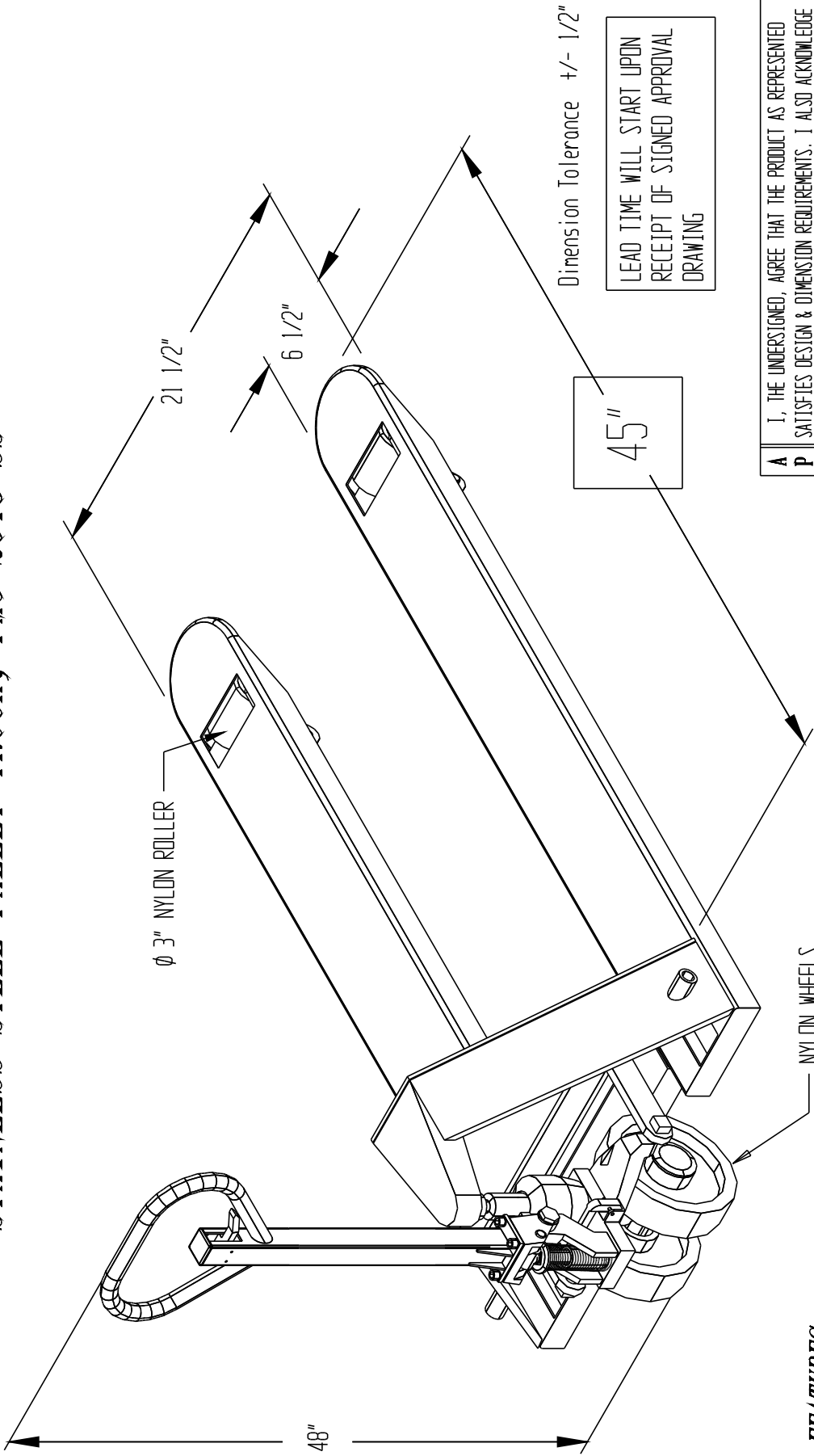


STAINLESS STEEL PALLET TRUCK, PM5-2048-SS



LEAD TIME WILL START UPON RECEIPT OF SIGNED APPROVAL DRAWING

A I, THE UNDERSIGNED, AGREE THAT THE PRODUCT AS REPRESENTED
P SATISFIES DESIGN & DIMENSION REQUIREMENTS. I ALSO ACKNOWLEDGE
P MY DUTY TO CONFIRM PRODUCT & INSTALLATION COMPLIANCE WITH ALL
R APPLICABLE FEDERAL, STATE AND LOCAL REGULATIONS & STANDARDS.
O **ALL SPECIAL UNITS ARE NON-RETURNABLE**
V () As drawn () As marked
A Signed: _____ Date: _____
L LEAD TIME WILL START UPON RECEIPT OF SIGNED APPROVAL DRAWING

STANDARD FEATURES

- MODEL NUMBER: PM5-2048-SS
- OVERALL FORK WIDTH IS 21 1/2"
- OVERALL FORK LENGTH IS 45"
- CAPACITY IS 5,500 LBS
- LOWERED HEIGHT IS 2 7/8"
- RAISED HEIGHT IS 7 3/4"
- UNIT IS STAINLESS STEEL
- NYLON WHEELS & ROLLERS

SPECIAL FEATURES

NONE

FOR INTERNAL USE ONLY	
PROJECT	SIGN OFF
SALES	
ENG.	
FAB.	
POWER	

DISTRIBUTOR'S NAME:

VESTIL MFG

P.D.#: -	
W.D.#: -	
SALES: -	
DATE: -	
REFERENCE: -	SCALE: -
QUOTED LEADTIME: -	QUOTE #: -

**SPECIAL UNITS ARE NON-RETURNABLE
 *AVAILABLE AT ADDITIONAL COSTS

PM5-2048-SS