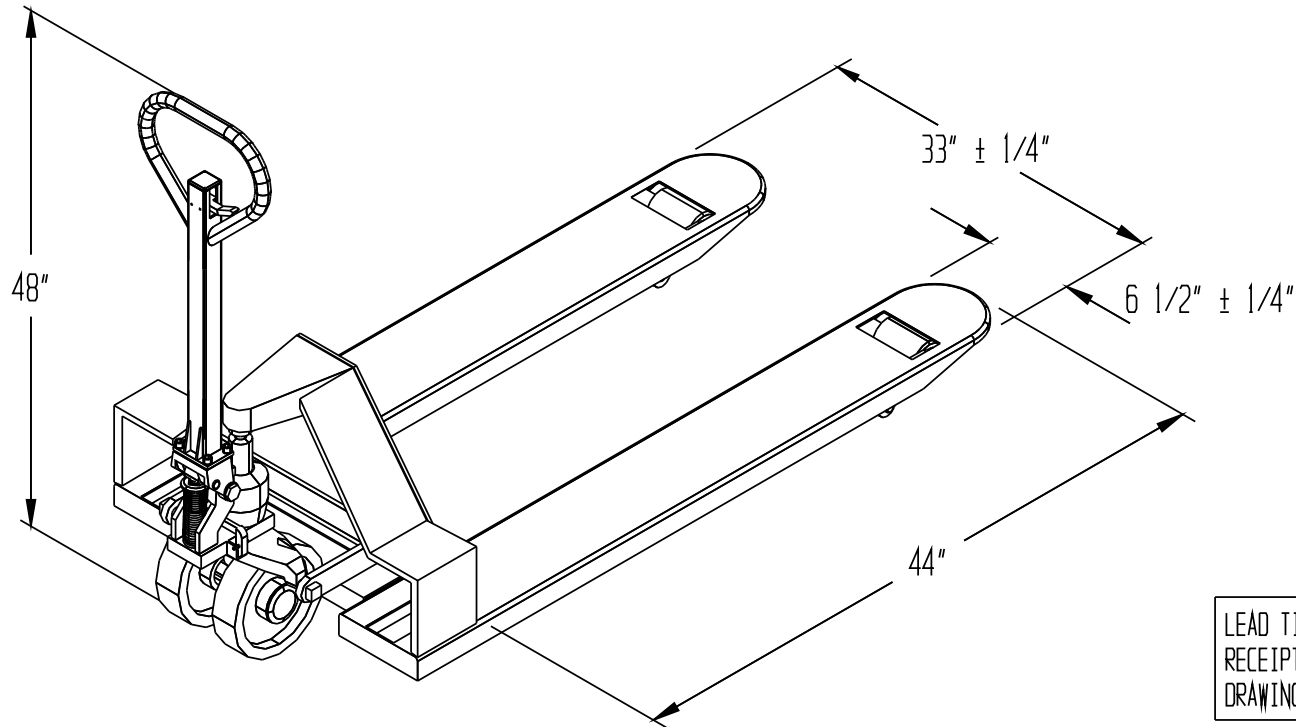


SUPER LOW PROFILE PALLET TRUCK, PM2-3344-SLP



FOR INTERNAL USE ONLY PROJECT SIGN OFF	
SALES	
ENG	
FAB.	
POWER	

LEAD TIME WILL START UPON RECEIPT OF SIGNED APPROVAL DRAWING

STANDARD FEATURES

MODEL NUMBER: PM2-3344-SLP
 OVERALL FORK WIDTH IS 33 ± 1/4 INCHES
 OVERALL FORK LENGTH IS 44 INCHES
 CAPACITY IS 2,200 LBS.
 LOWERED HEIGHT IS 1 1/2 INCHES
 RAISED HEIGHT IS 3 3/8 INCHES

SPECIAL FEATURES

NONE

**SPECIAL UNITS ARE NON-RETURNABLE
 *AVAILABLE AT ADDITIONAL COSTS

APPROVAL	I, THE UNDERSIGNED, AGREE THAT THE PRODUCT AS REPRESENTED SATISFIES DESIGN & DIMENSION REQUIREMENTS. I ALSO ACKNOWLEDGE MY DUTY TO CONFIRM PRODUCT & INSTALLATION COMPLIANCE WITH ALL APPLICABLE FEDERAL, STATE AND LOCAL REGULATIONS & STANDARDS.	
	ANY MODIFIED UNITS ARE NON-RETURNABLE	
	[] As drawn [] As marked	
	Signed: _____	Date: _____
Printed Name: _____		
LEAD TIME WILL START UPON RECEIPT OF SIGNED APPROVAL DRAWING		

DISTRIBUTOR'S NAME: VESTIL MFG		P.O.#: -
		W.O.#: -
DRAWN BY:	DATE: 6/22/05	SALES: -
REFERENCE: -	SCALE: -	DRWG./FILE NAME:
QUOTED LEADTIME: -	QUOTE #: -	PM2-3344-SLP