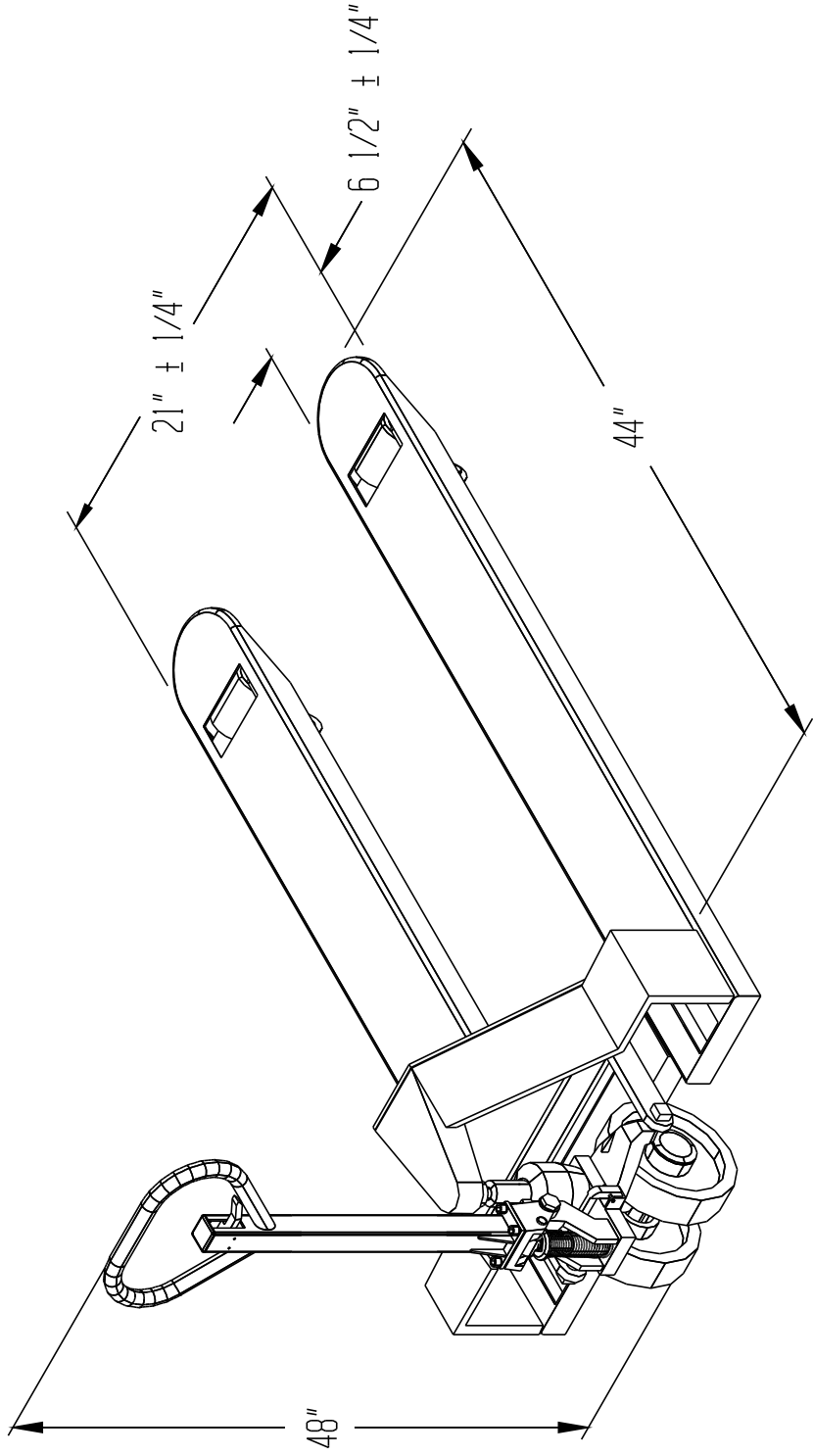


SUPER LOW PROFILE PALLET TRUCK, PM2-2044-SLP



STANDARD FEATURES

MODEL NUMBER: PM2-2044-SLP
 OVERALL FORK WIDTH IS 21 ± 1/4 INCHES
 OVERALL FORK LENGTH IS 44 INCHES
 CAPACITY IS 2,200 LBS
 LOWERED HEIGHT IS 1 1/2 INCHES
 RAISED HEIGHT IS 3 3/8 INCHES

SPECIAL FEATURES

NONE

FOR INTERNAL USE ONLY PROJECT SIGN OFF	
SALES	
ENG	
FAB.	
POWER	

A I, THE UNDERSIGNED, AGREE THAT THE PRODUCT AS REPRESENTED
P SATISFIES DESIGN & DIMENSION REQUIREMENTS. I ALSO ACKNOWLEDGE
P MY DUTY TO CONFIRM PRODUCT & INSTALLATION COMPLIANCE WITH ALL
R APPLICABLE FEDERAL, STATE AND LOCAL REGULATIONS & STANDARDS.
O **ANY MODIFIED UNITS ARE NON-RETURNABLE**
V () As drawn () As marked
A Signed: _____ Date: _____
L Printed Name: _____

LEAD TIME WILL START UPON RECEIPT OF SIGNED APPROVAL DRAWING

DISTRIBUTOR'S NAME: VESTIL MFG		P.O.#: -
DRAWN BY:		W.O.#: -
DATE: 6/22/05	SALES: -	
REFERENCE: -	SCALE: -	DRWG./FILE NAME: PM2-2044-SLP
QUOTED LEADTIME: -	QUOTE #: -	

**SPECIAL UNITS ARE NON-RETURNABLE
 *AVAILABLE AT ADDITIONAL COSTS