

Fig.8

LIST OF HYDRAULIC PUMP

No.	Description	Quantity	No.	Description	Quantity
301	Spring Cap	1	318	Screw	1
302	Spring	1	319	Lever Plate	1
303	Pump Piston	1	320	Elastic Pin	1
304	Dust Ring	1	321	Valve Cartridge	1
305	Seal	1	322	Pump	1
306	Dust Cover	2	323	Seal Washer	1
307	Spring Washer	2	324	Screw Plug	1
308	Washer	2	325	Seal	1
309	Bearing	4	326	O-Ring	1
310	Loading Wheel	2	327	Dust Ring	1
311	Elastic Pin	1	328	Piston Rod	1
312	Elastic Pin	2	329	Steel Ball	1
313	Thrust Plate	1	330	Screw Plug	1
314	Retaining Ring	1	331	O-Ring	1
315	Bearing	1	332	Bolt	1
316	Shaft of Loading Wheel	1	333	Spring	1
317	Nut	1	334	Spindle of safety valve	1

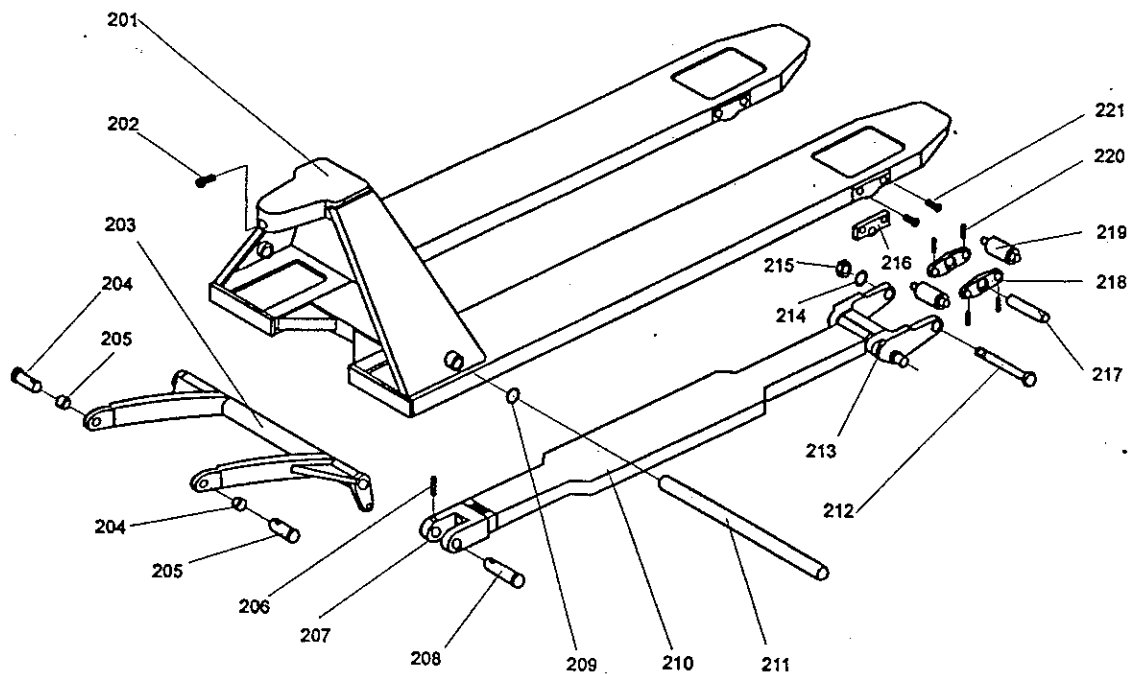


Fig.7

LIST OF FORK FRAME

No.	Description	Quantity	No.	Description	Quantity
201	Fork Frame	1	214	Elastic Washer	2
202	Bolt	1	215	Locking Nut	2
203	Rock-Arm	1	216	Seat of Frame	4
204	Shaft	2	217	Shaft	2
205	Bushing	2	218	Linking Plate	4
206	Elastic Pin	2	219	Roller(Bearing)	4
207	Joint	2	220	Elastic Pin	8
208	Pin	2	221	Screw	8
209	Retaining Ring	2			
210	Pushing Rod	2			
211	Long Shaft	1			
212	Bolt	2			
213	Frame of Roller	4			

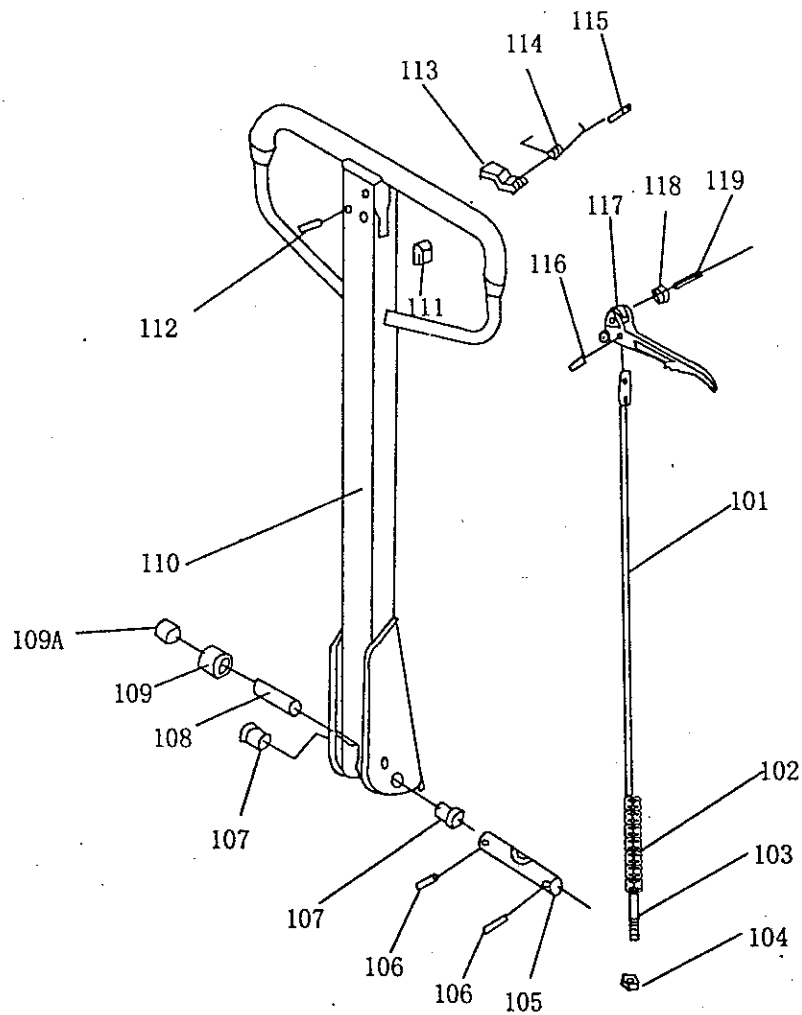
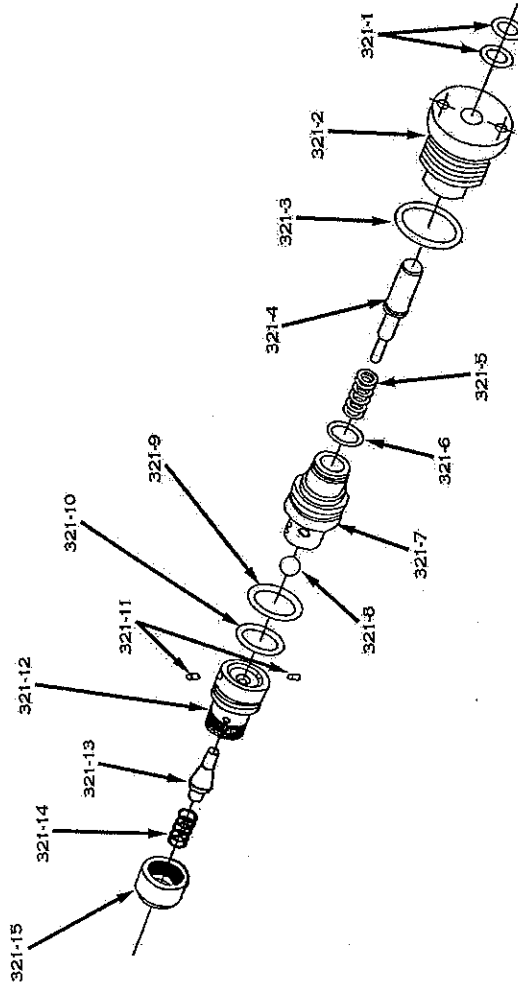


Fig.6

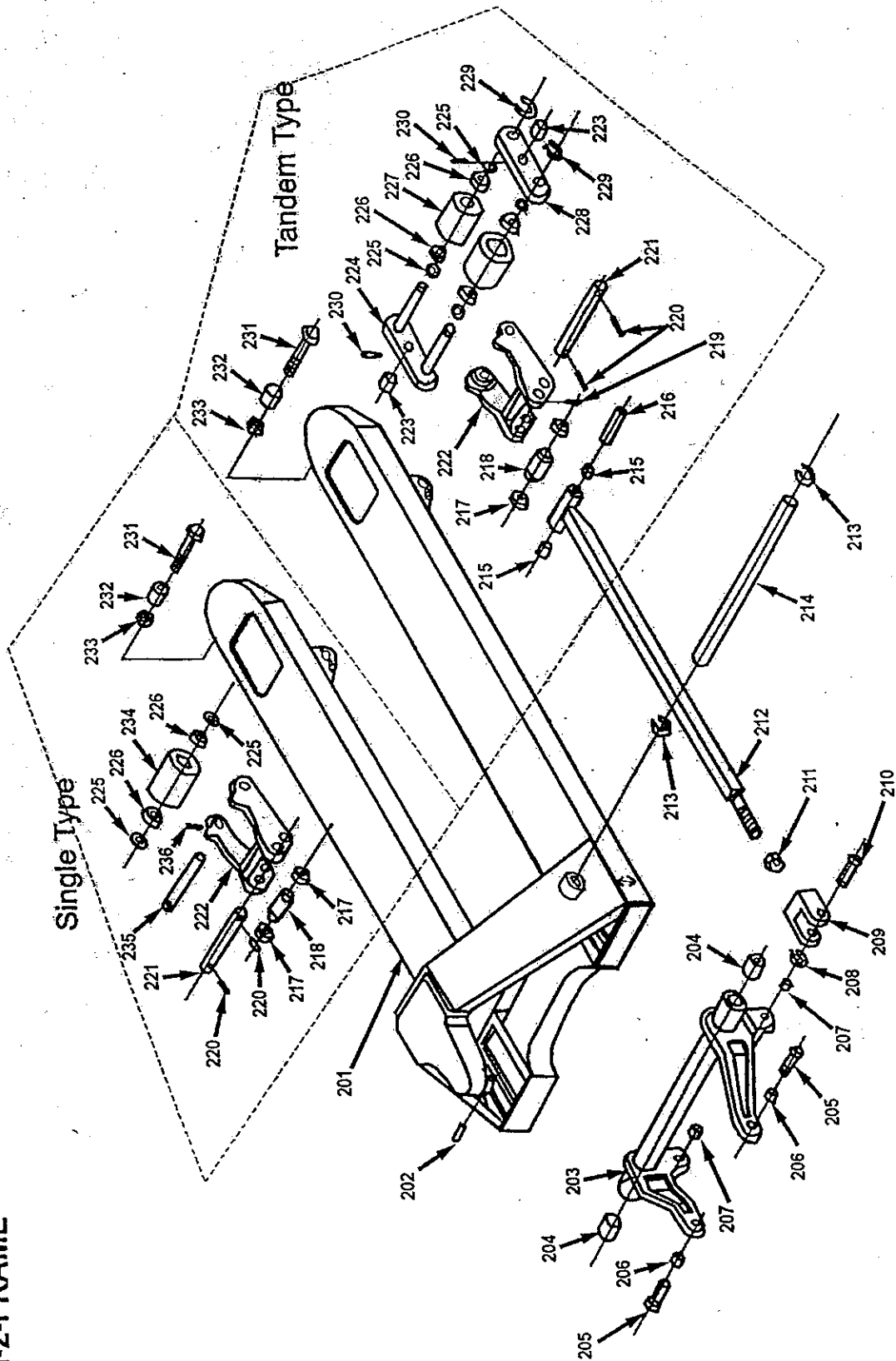
LIST OF DRAW-BAR

No.	Description	Quantity	No.	Description	Quantity
101	Release Rod	1	110	Draw-bar	1
102	Chain	1	111	Stop Rubber	1
103	Adjusting Bolt	1	112	Elastic Pin	1
104	Adjusting Nut	1	113	Blade Spring	1
105	Axle with Hole	1	114	Spring	1
106	Elastic Pin	2	115	Elastic Pin	1
107	Bushing	2	116	Elastic Pin	1
108	Roller Pin	1	117	Control Handle	1
109	Pressure Roller	1	118	Roller	1
109A	Bushing	1	119	Elastic Pin	1

PM-2 VALVE CARTRIDGE

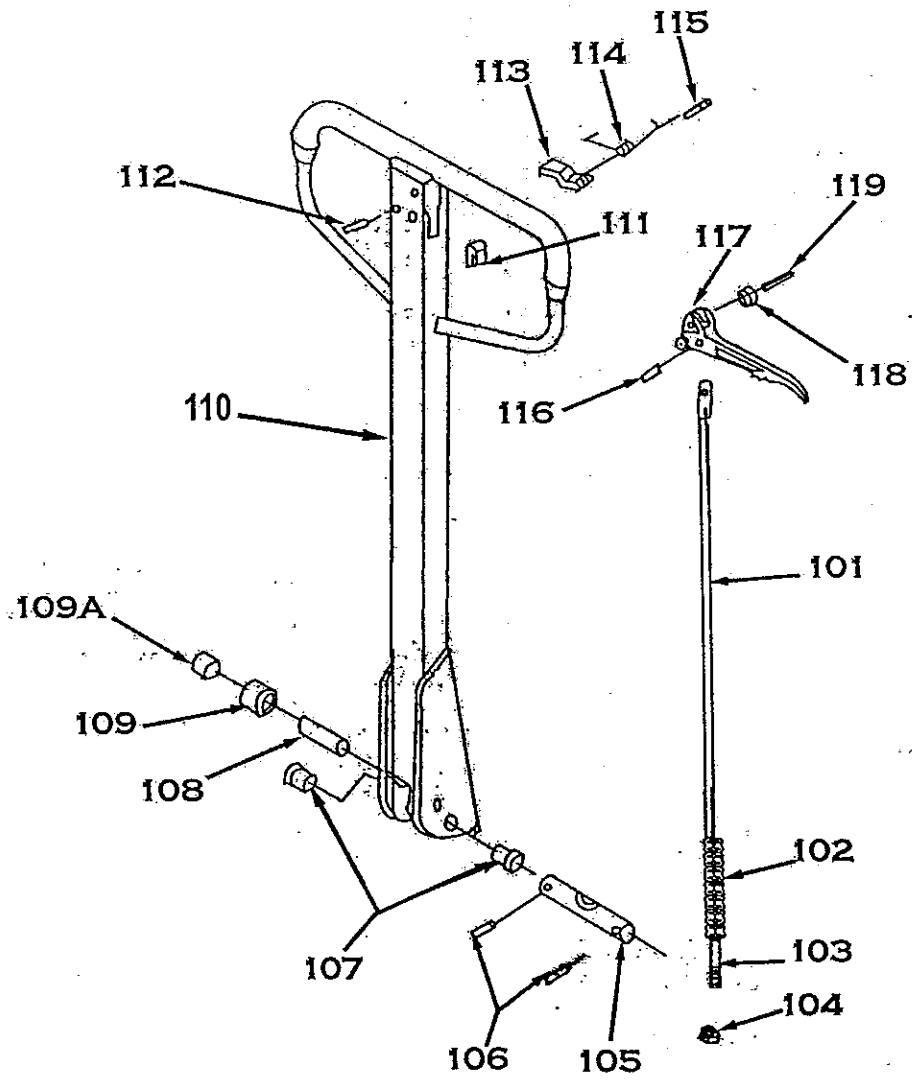


PM-2-FRAME



Mfr. Model Number	GENERIC NUMBER	ENGINEERING #	Component Description	Reference Number
PM-2-FRAME	PM-2-201-F		Fork Frame	201
PM-2-FRAME	PM-2-202-F		Elastic Pin	202
PM-2-FRAME	PM-2-203-F		Rock-Arm	203
PM-2-FRAME	PM-2-204-F		Bushing	204
PM-2-FRAME	PM-2-205-F		Shaft	205
PM-2-FRAME	PM-2-206-F		Bushing	206
PM-2-FRAME	PM-2-207-F		Bushing	207
PM-2-FRAME	PM-2-208-F		Retaining Ring	208
PM-2-FRAME	PM-2-209-F		Joint	209
PM-2-FRAME	PM-2-210-F		Pin	210
PM-2-FRAME	PM-2-211-F		Nut	211
PM-2-FRAME	PM-2-212-F		Pushing Rod	212
PM-2-FRAME	PM-2-213-F		Retaining Ring	213
PM-2-FRAME	PM-2-214-F		Shaft	214
PM-2-FRAME	PM-2-215-F		Bushing	215
PM-2-FRAME	PM-2-216-F		Shaft	216
PM-2-FRAME	PM-2-217-F		Intermediate Roller	217
PM-2-FRAME	PM-2-218-F		Extending Roller	218
PM-2-FRAME	PM-2-219-F		Elastic Pin	219
PM-2-FRAME	PM-2-220-F		Elastic Pin	220
PM-2-FRAME	PM-2-221-F		Shaft	221
PM-2-FRAME	PM-2-222-F		Frame Of Roller	222
PM-2-FRAME	PM-2-223-F		Shaft	223
PM-2-FRAME	PM-2-224-F		Tandem Mounting	224
PM-2-FRAME	PM-2-225-F		Washer	225
PM-2-FRAME	PM-2-226-F		Bearing	226
PM-2-FRAME	PM-2-227-F		Roller	227
PM-2-FRAME	PM-2-228-F		Tandem Mounting	228
PM-2-FRAME	PM-2-229-F		Spring Washer	229
PM-2-FRAME	PM-2-230-F		Elastic Pin	230
PM-2-FRAME	PM-2-231-F		Bolt	231
PM-2-FRAME	PM-2-232-F		Enter Roller	232
PM-2-FRAME	PM-2-233-F		Locking Nut	233
PM-2-FRAME	PM-2-234-F		Roller	234
PM-2-FRAME	PM-2-235-F		Shaft For Roller	235
PM-2-FRAME	PM-2-236-F		Elastic Pin	236

PM2-HANDLE

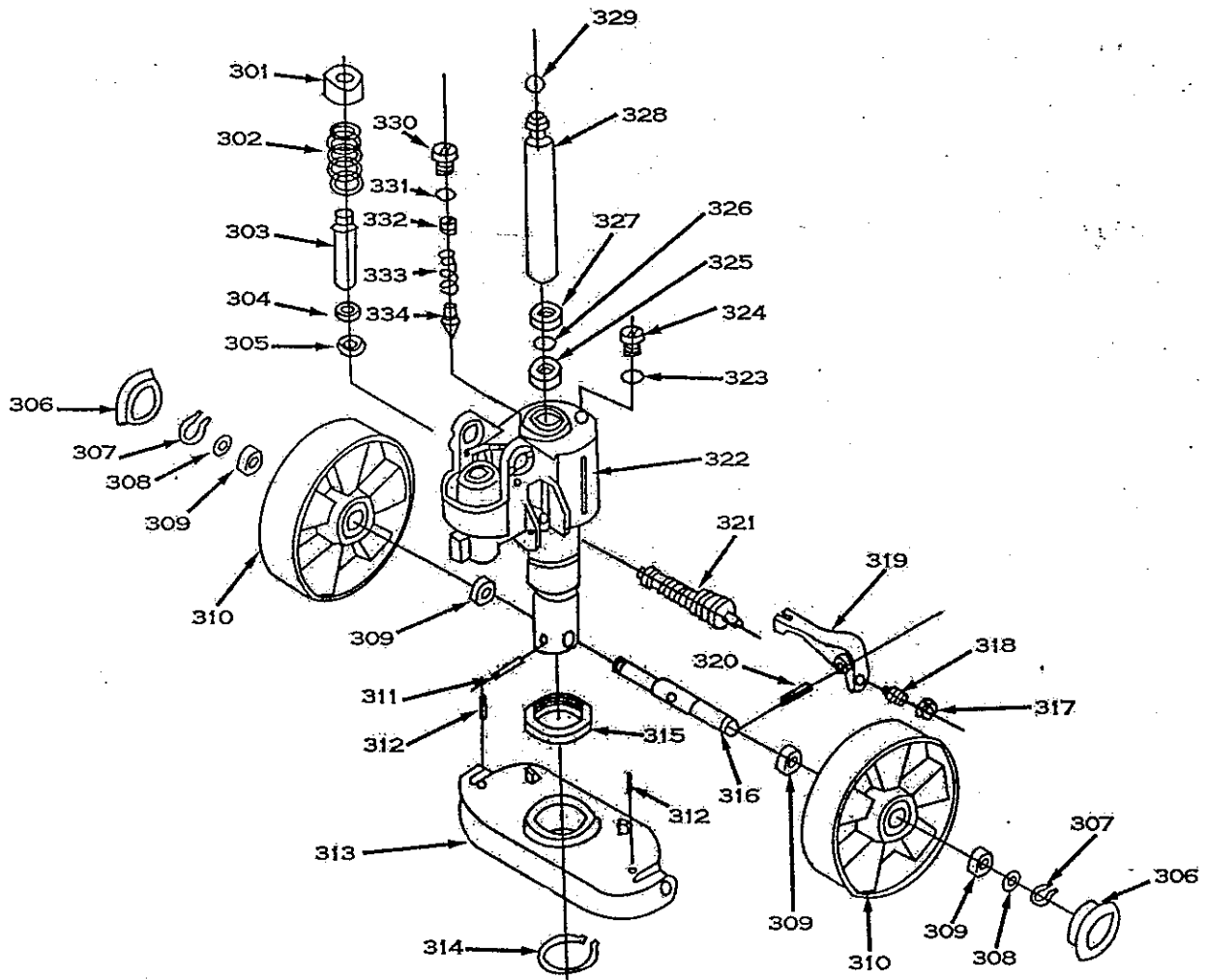


Mfr. Model Number	GENERIC NUMBER	ENGINEERING #	Component Description	Reference Number
			T_S_8507	
PM-2-HANDLE	PM-2-101-H		Release Rod	101
PM-2-HANDLE	PM-2-102-H		Chain	102
PM-2-HANDLE	PM-2-103-H		Adjusting Bolt	103
PM-2-HANDLE	PM-2-104-H		Adjusting Nut	104
PM-2-HANDLE	PM-2-105-H		Axle With Hole	105
PM-2-HANDLE	PM-2-106-H		Elastic Pin	106
PM-2-HANDLE	PM-2-107-H		Bushing	107
PM-2-HANDLE	PM-2-108-H		Roller Pin	108
PM-2-HANDLE	PM-2-109-H		Pressure Pin	109
PM-2-HANDLE	PM-2-109A-H		Bushing	109A
PM-2-HANDLE	PM-2-110-H		Draw-Bar	110
PM-2-HANDLE	PM-2-111-H		Stop Rubber	111
PM-2-HANDLE	PM-2-112-H		Elastic Pin	112
PM-2-HANDLE	PM-2-113-H		Blade Spring	113
PM-2-HANDLE	PM-2-114-H		Spring	114
PM-2-HANDLE	PM-2-115-H		Elastic Pin	115
PM-2-HANDLE	PM-2-116-H		Elastic Pin	116
PM-2-HANDLE	PM-2-117-H		Control Handle	117
PM-2-HANDLE	PM-2-118-H		Roller	118
PM-2-HANDLE	PM-2-119-H		Elastic Pin	119

Mfr. Model Number	GENERIC NUMBER	ENGINEERING #	Component Description	Reference Number
PM-2-KITS	PM-2-KIT-D		Chain Assembly	D
PM-2-KITS	PM-2-KIT-E		Draw Bar Assembly	E
PM-2-KITS	PM-2-KIT-F1		Load Roller Assembly	F1
PM-2-KITS	PM-2-KIT-G		Steering Wheel Assembly	G
PM-2-KITS	PM-2-KIT-S		Safety Valve Assembly	S
PM-2-KITS	PM-2-KIT-T		Valve Cartridge	T
PM-2-KITS	PM-2-KIT-V		Seal Kit Assembly	V
PM-2-KITS	PM-2-KIT-P		Pump Assembly	P

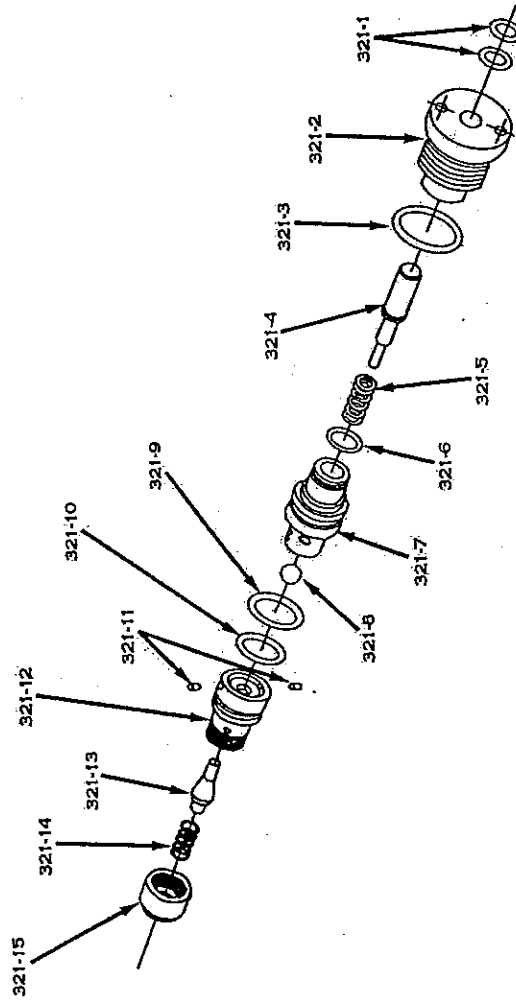
T_S_8507

PM-2-PUMP



Mfr. Model Number	GENERIC NUMBER	ENGINEERING #	Component Description	Reference Number
			T_S_8507	
PM-2.PUMP	PM-2-301-P		Spring Cap	301
PM-2.PUMP	PM-2-302-P		Spring	302
PM-2.PUMP	PM-2-303-P		Pump Piston	303
PM-2.PUMP	PM-2-304-P		Dust Ring	304
PM-2.PUMP	PM-2-305-P		Seal	305
PM-2.PUMP	PM-2-306-P		Dust Cover	306
PM-2.PUMP	PM-2-307-P		Spring Washer	307
PM-2.PUMP	PM-2-308-P		Washer	308
PM-2.PUMP	PM-2-309-P		Bearing	309
PM-2.PUMP	PM-2-310-P		Loading Wheel (Steering Wheel)	310
PM-2.PUMP	PM-2-311-P		Elastic Pin	311
PM-2.PUMP	PM-2-312-P		Elastic Pin	312
PM-2.PUMP	PM-2-313-P		Thrust Plate	313
PM-2.PUMP	PM-2-314-P		Retaining Ring	314
PM-2.PUMP	PM-2-315-P		Bearing	315
PM-2.PUMP	PM-2-316-P		Shaft Of Loading Wheel	316
PM-2.PUMP	PM-2-317-P		Nut	317
PM-2.PUMP	PM-2-318-P		Screw	318
PM-2.PUMP	PM-2-319-P		Lever Plate	319
PM-2.PUMP	PM-2-320-P		Elastic Pin	320
PM-2.PUMP	PM-2-321-P		Valve Cartridge	321
PM-2.PUMP	PM-2-322-P		Pump	322
PM-2.PUMP	PM-2-323-P		Seal Washer	323
PM-2.PUMP	PM-2-324-P		Screw Plug	324
PM-2.PUMP	PM-2-325-P		Seal	325
PM-2.PUMP	PM-2-326-P		O-Ring	326
PM-2.PUMP	PM-2-327-P		Dust Ring	327
PM-2.PUMP	PM-2-328-P		Piston Rod	328
PM-2.PUMP	PM-2-329-P		Steel Ball	329
PM-2.PUMP	PM-2-330-P		Screw Plug	330
PM-2.PUMP	PM-2-331-P		O-Ring	331
PM-2.PUMP	PM-2-332-P		Bolt	332
PM-2.PUMP	PM-2-333-P		Spring	333
PM-2.PUMP	PM-2-334-P		Spindle Of Safety Valve	334

PM-2 VALVE CARTRIDGE



Mfr. Model Number	GENERIC NUMBER	ENGINEERING #	Component Description	Reference Number
PM-2-VALVE	PM-2-321-1-P		O-Ring	321-1
PM-2-VALVE	PM-2-321-2-P		Sleeve	321-2
PM-2-VALVE	PM-2-321-3-P		O-Ring	321-3
PM-2-VALVE	PM-2-321-4-P		Strike Pin	321-4
PM-2-VALVE	PM-2-321-5-P		Spring	321-5
PM-2-VALVE	PM-2-321-6-P		O-Ring	321-6
PM-2-VALVE	PM-2-321-7-P		Seat Of Ball	321-7
PM-2-VALVE	PM-2-321-8-P		Steel Ball	321-8
PM-2-VALVE	PM-2-321-9-P		O-Ring	321-9
PM-2-VALVE	PM-2-321-10-P		O-Ring	321-10
PM-2-VALVE	PM-2-321-11-P		Pin	321-11
PM-2-VALVE	PM-2-321-12-P		Seat Of Valve	321-12
PM-2-VALVE	PM-2-321-13-P		Spindle Of Pump Valve	321-13
PM-2-VALVE	PM-2-321-14-P		Spring	321-14
PM-2-VALVE	PM-2-321-15-P		Cap	321-15

T_S_8507