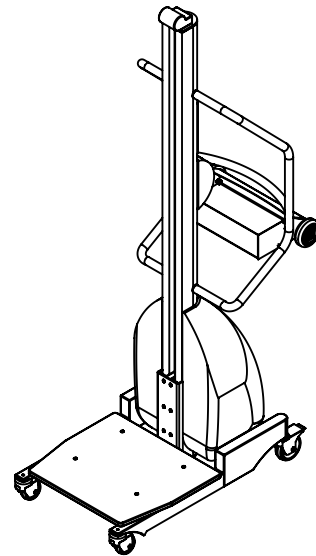
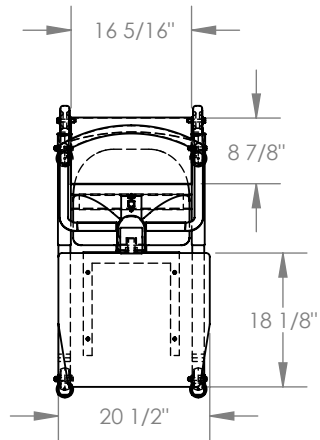


VERSATILE QUICKLIFT - PEL-33

APPROX WEIGHT: 128 lbs.
 DOES NOT INCLUDE WEIGHT OF POWER OR PACKAGING!!!

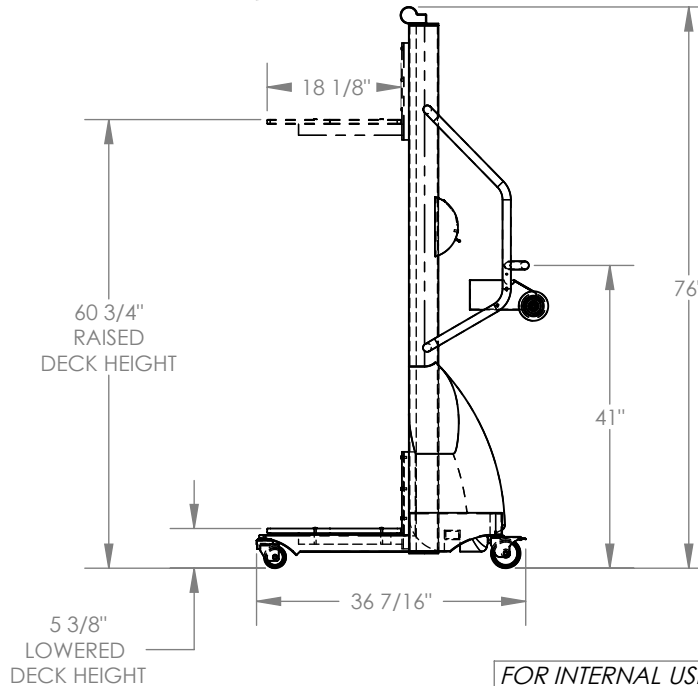
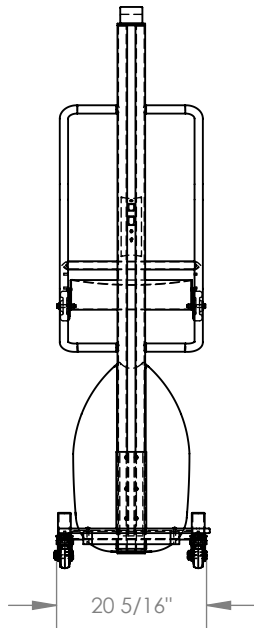
*** ANY ADDITIONS, DELETIONS, OR OMISSIONS MUST BE CORRECTED ON THIS DRAWING AS THIS DRAWING WILL BE CONSIDERED ALL INCLUSIVE ***

ALL GRAPHICS PROVIDED ARE FOR REFERENCE ONLY. IF CERTAIN DIMENSIONS ARE CRITICAL PLEASE VERIFY THOSE DIMENSIONS WITH YOUR SALESPERSON



STANDARD FEATURES

MODEL NUMBER IS PEL-33
 OVERALL WIDTH IS 20 1/2"
 PLATFORM WIDTH IS 20 1/2"
 OVERALL LENGTH IS 36 7/16"
 PLATFORM LENGTH IS 18 1/8"
 OVERALL HEIGHT IS 76"
 USABLE HEIGHT RANGE:
 RAISED: 60 3/4"
 LOWERED: 5 3/8"
 MAX CAPACITY IS 330 LBS.
 COMES WITH TOOL TRAY AND
 REMOTE BATTERY CHARGER
 STANDARD



SPECIAL FEATURES

NONE

DIMENSION TOLERANCE $\pm 1/4$ "

APPROVAL

I, THE UNDERSIGNED, AGREE THAT THE PRODUCT AS REPRESENTED SATISFIES DESIGN AND DIMENSION REQUIREMENTS. I ALSO ACKNOWLEDGE MY DUTY TO CONFIRM PRODUCT AND INSTALLATION COMPLIANCE WITH ALL APPLICABLE FEDERAL, STATE AND LOCAL REGULATIONS AND STANDARDS.
ANY MODIFIED UNITS ARE NON-RETURNABLE
 As drawn As marked

Signed: _____ Date: _____
 Printed Name: _____
LEAD TIME WILL START UPON RECEIPT OF SIGNED APPROVAL DRAWING

FOR INTERNAL USE ONLY PROJECT SIGN OFF	
SALES	
ENG.	
FAB.	
POWER	

DISTRIBUTOR'S NAME: VESTIL MANUFACTURING		P.O.# X
DRAWN BY: KJY		W.O.# X
DATE: 7/12/12		SALES: X
REFERENCE: X	SCALE: 1:26	FILE NAME:
QUOTED LEAD TIME: X	QUOTE # X	21-007-092