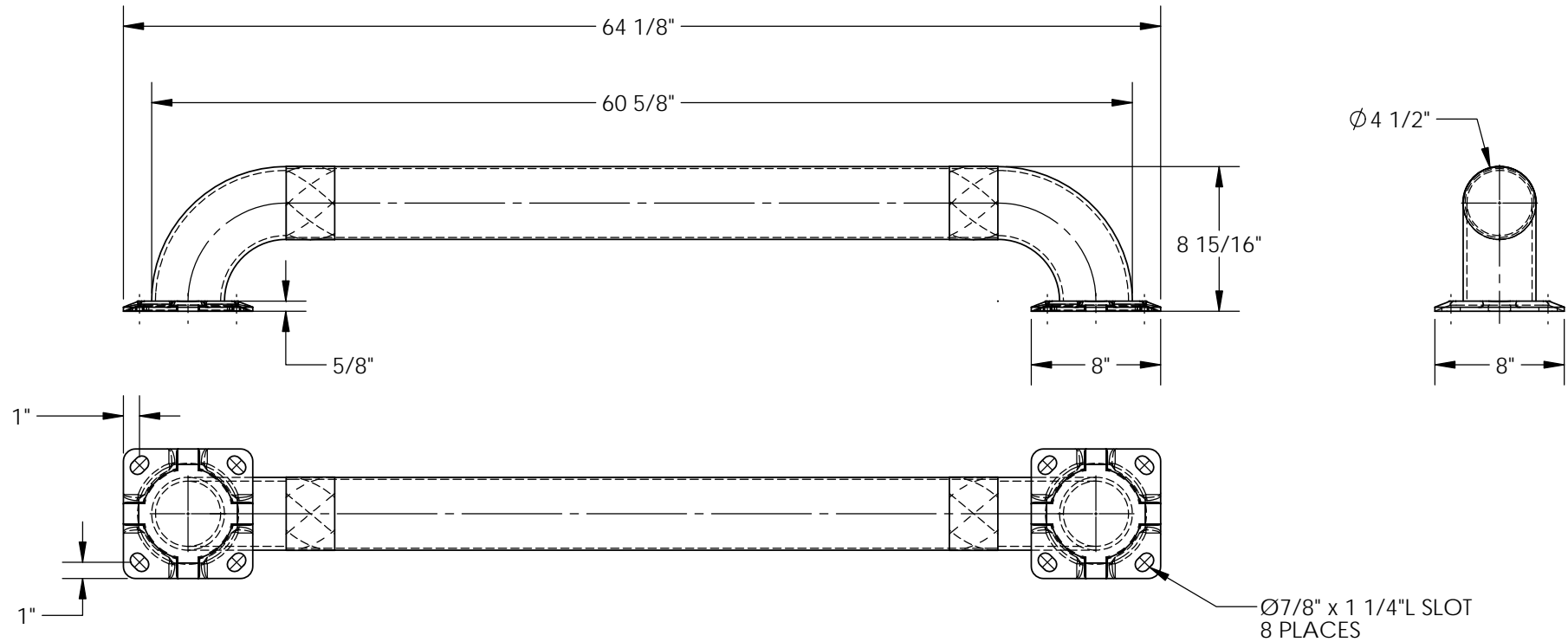


# LOW PROFILE MACHINERY GUARD- LPRO-60-9-4

APPROX WEIGHT: 47.16 lbs.  
DOES NOT INCLUDE WEIGHT OF POWER OR PACKAGING!!!

\*\*\* ANY ADDITIONS, DELETIONS, OR OMISSIONS MUST BE CORRECTED ON THIS DRAWING AS THIS DRAWING WILL BE CONSIDERED ALL INCLUSIVE \*\*\*  
ALL GRAPHICS PROVIDED ARE FOR REFERENCE ONLY. IF CERTAIN DIMENSIONS ARE CRITICAL PLEASE VERIFY THOSE DIMENSIONS WITH YOUR SALESPERSON



DIMENSION TOLERANCE  $\pm 1/4"$

## STANDARD FEATURES

MODEL NUMBER IS LPRO-60-9-4  
MACHINE GUARD HEIGHT IS: 8 15/16"  
MACHINE GUARD LENGTH: 60 5/8"  
MACHINE GUARD DIAMETER:  $\varnothing 4 1/2"$   
OVERALL LENGTH IS: 64 1/8"  
INCLUDES 2 MOUNTING BRACKETS  
YELLOW POWDERCOAT FINISH  
BLACK & YELLOW SAFETY TAPE  
ALL STEEL CONSTRUCTION  
(ASTM A-36 MIN.) WITH  
WELDING TO MEET AWS  
WARNING: CHECK APPLICABLE STATE  
& LOCAL LAWS FOR YOUR AREA

## SPECIAL FEATURES

NONE

APPROVAL

I, THE UNDERSIGNED, AGREE THAT THE PRODUCT AS REPRESENTED SATISFIES DESIGN AND DIMENSION REQUIREMENTS. I ALSO ACKNOWLEDGE MY DUTY TO CONFIRM PRODUCT AND INSTALLATION COMPLIANCE WITH ALL APPLICABLE FEDERAL, STATE AND LOCAL REGULATIONS AND STANDARDS.  
**ALL SPECIAL UNITS ARE NON-RETURNABLE**  
[ ] As drawn [ ] As marked

Signed: \_\_\_\_\_ Date: \_\_\_\_\_

LEAD TIME WILL START UPON RECEIPT OF SIGNED APPROVAL DRAWING

FOR INTERNAL USE ONLY  
PROJECT SIGN OFF

SALES	
ENG.	
FAB.	
POWER	

DISTRIBUTOR'S NAME:

VESTIL MANUFACTURING

DRAWN BY: TJM

DATE: 01/13/14

REFERENCE: X

SCALE: 1:10

QUOTED LEAD TIME: X

QUOTE # X

P.O.# X

W.O.# X

SALES: X

FILE NAME:

23-007-263