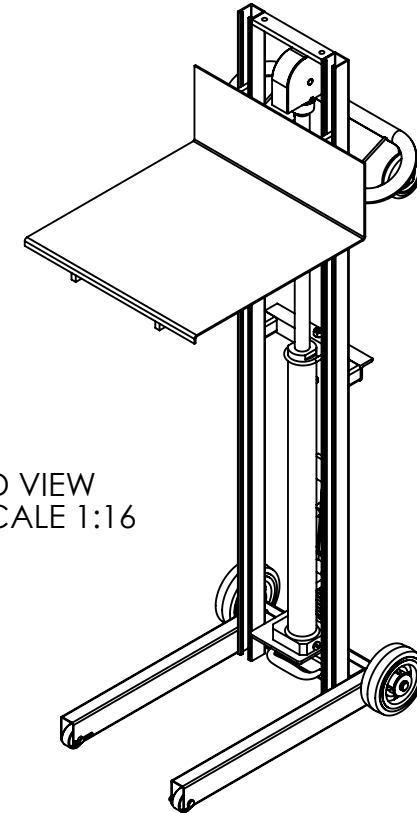
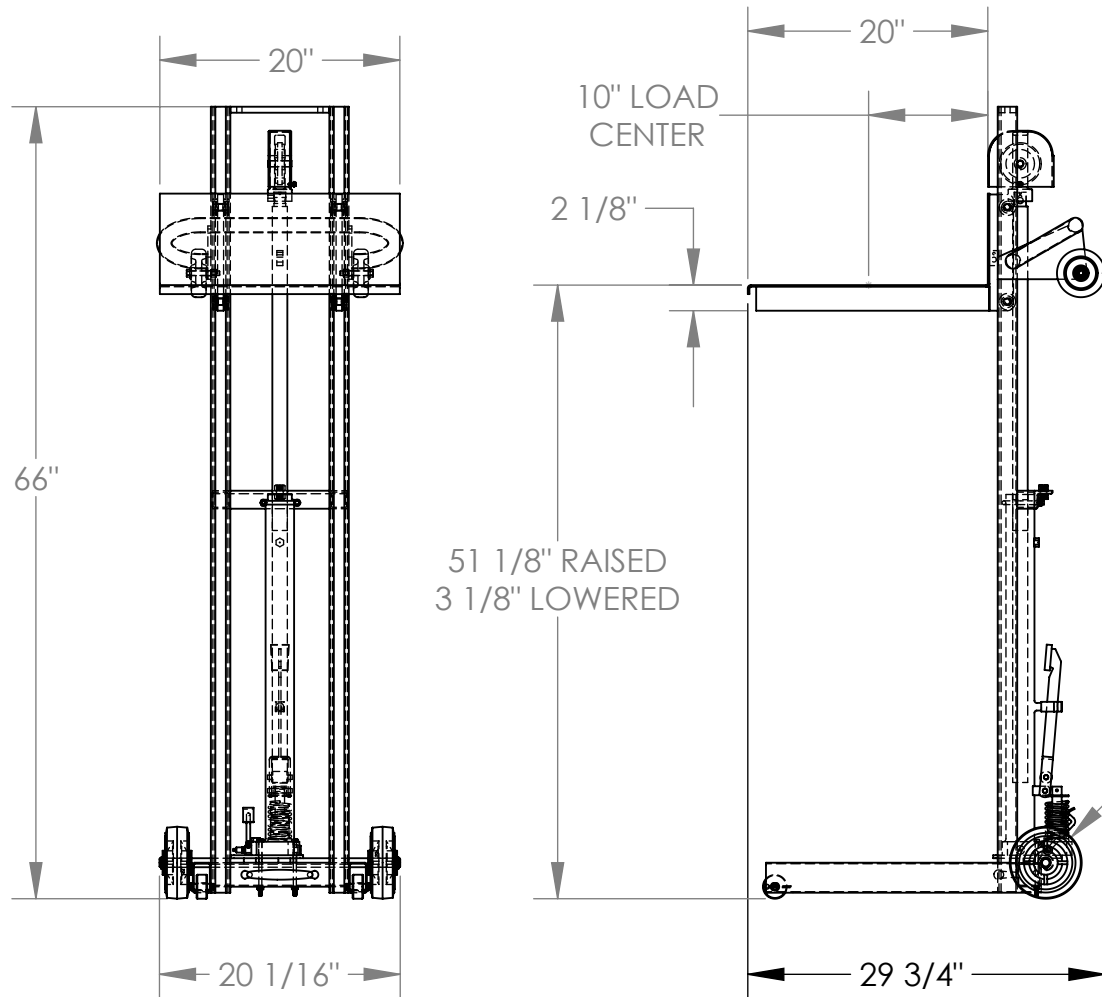


# LITE LOAD LIFT - LLH-202053-FW

APPROX WEIGHT: 177.44 lbs.  
DOES NOT INCLUDE WEIGHT OF POWER OR PACKAGING!!!

\*\*\* ANY ADDITIONS, DELETIONS, OR OMISSIONS MUST BE CORRECTED ON THIS DRAWING AS THIS DRAWING WILL BE CONSIDERED ALL INCLUSIVE \*\*\*

ALL GRAPHICS PROVIDED ARE FOR REFERENCE ONLY. IF CERTAIN DIMENSIONS ARE CRITICAL PLEASE VERIFY THOSE DIMENSIONS WITH YOUR SALESPERSON



## STANDARD FEATURES

MODEL NUMBER: LLH-202053-FW  
CAPACITY: 500 LBS.  
PLATFORM WIDTH: 20"  
PLATFORM LENGTH: 20"  
OVERALL WIDTH: 20 1/16"  
OVERALL LENGTH: 29 3/4"  
OVERALL HEIGHT: 66"  
RAISED HEIGHT: 51 1/8"  
LOWERED HEIGHT: 3 1/8"  
FOOT PUMP OPERATION  
STEEL CONSTRUCTION  
TOUGH BAKED IN POWDER COATED BLUE FINISH

## SPECIAL FEATURES

NONE

FOR INTERNAL USE ONLY  
PROJECT SIGN OFF

SALES	
ENG.	
FAB.	
POWER	

## DIMENSION TOLERANCE $\pm 1/4"$

APPROVAL

I, THE UNDERSIGNED, AGREE THAT THE PRODUCT AS REPRESENTED SATISFIES DESIGN AND DIMENSION REQUIREMENTS. I ALSO ACKNOWLEDGE MY DUTY TO CONFIRM PRODUCT AND INSTALLATION COMPLIANCE WITH ALL APPLICABLE FEDERAL, STATE AND LOCAL REGULATIONS AND STANDARDS.

**ANY MODIFIED UNITS ARE NON-RETURNABLE**

[ ] As drawn [ ] As marked

Signed: \_\_\_\_\_ Date: \_\_\_\_\_

Printed Name: \_\_\_\_\_

LEAD TIME WILL START UPON RECEIPT OF SIGNED APPROVAL DRAWING

DISTRIBUTOR'S NAME:

VESTIL MANUFACTURING

P.O.# X

W.O.# X

DRAWN BY: WHR

DATE: 01/17/12

SALES: X

REFERENCE: X

SCALE: 1:16

FILE NAME:

QUOTED LEAD TIME: X

QUOTE # X

21-007-004