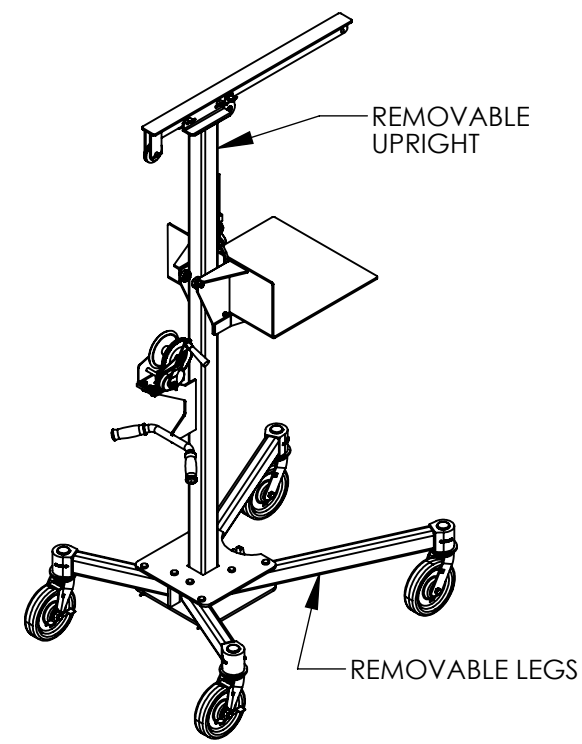
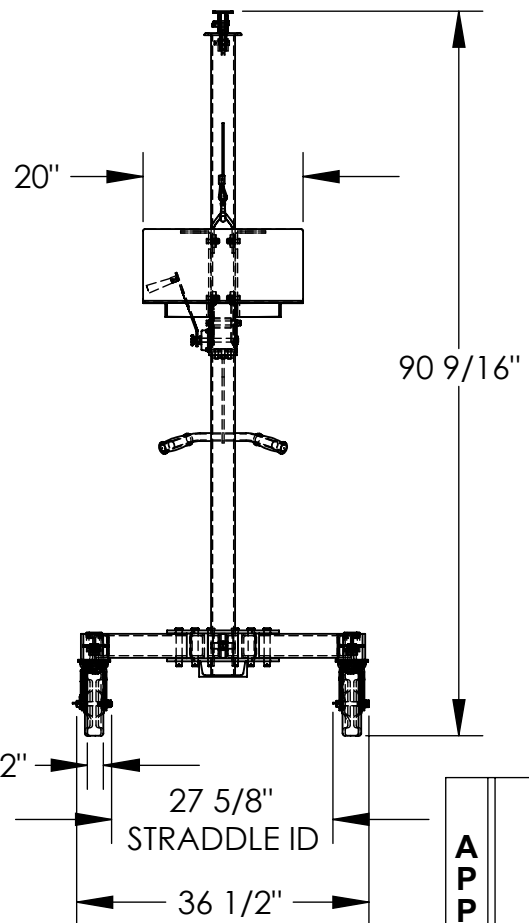
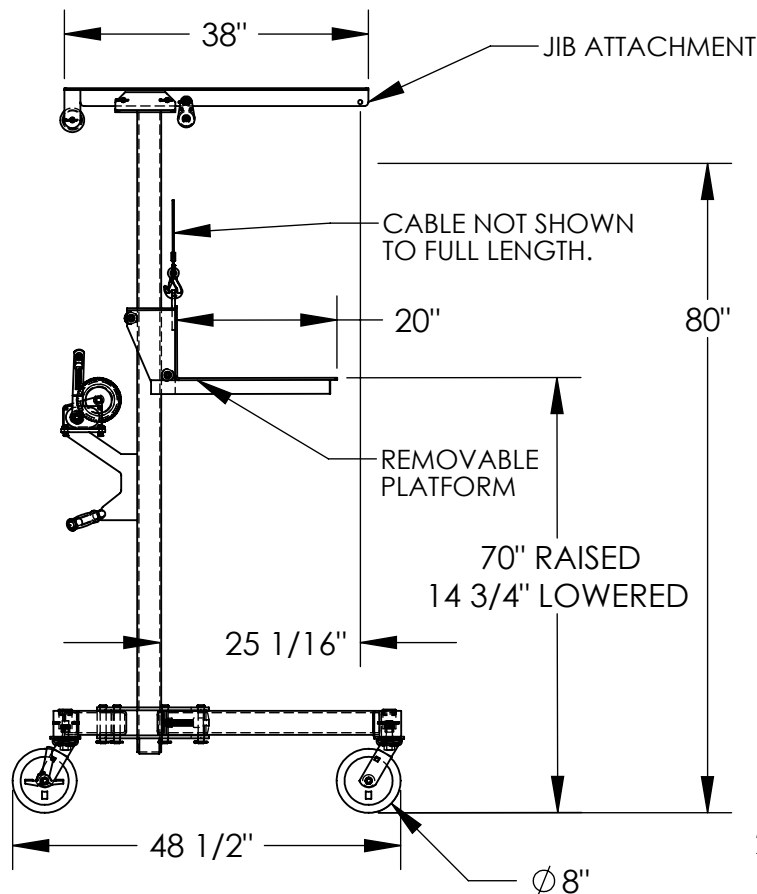


# PORTABLE WORKSITE LIFT - LIFTER-2

APPROX WEIGHT: 300.27 lbs.  
DOES NOT INCLUDE WEIGHT OF POWER OR PACKAGING!!!

\*\*\* ANY ADDITIONS, DELETIONS, OR OMISSIONS MUST BE CORRECTED ON THIS DRAWING AS THIS DRAWING WILL BE CONSIDERED ALL INCLUSIVE \*\*\*

ALL GRAPHICS PROVIDED ARE FOR REFERENCE ONLY. IF CERTAIN DIMENSIONS ARE CRITICAL PLEASE VERIFY THOSE DIMENSIONS WITH YOUR SALESPERSON



3D VIEW SHOWN FOR REFERENCE ONLY  
DIMENSION TOLERANCE ± 1/4"

## STANDARD FEATURES

- MODEL NUMBER IS LIFTER-2
- CAPACITY IS 500 lbs
- USABLE PLATFORM IS 20" X 20"
- PLATFORM RAISED HEIGHT IS 70"
- PLATFORM LOWERED HEIGHT IS 14 3/4"
- OVERALL JIB LENGTH IS 38"
- OVERALL WIDTH IS 36 1/2"
- OVERALL LENGTH IS 48 1/2"
- OVERALL HEIGHT IS 90 9/16"
- OPERATION TYPE IS HAND WINCH
- UNIT BREAKS DOWN TO STORE OR TRANSPORT
- FOUR Ø8 x 2" PHENOLIC SWIVEL CASTERS
- BOOM SERVICE RANGE IS 0" TO 80"
- BOOM REACH IS 25 1/16"

## SPECIAL FEATURES

NONE

**APPROVAL**

I, THE UNDERSIGNED, AGREE THAT THE PRODUCT AS REPRESENTED SATISFIES DESIGN AND DIMENSION REQUIREMENTS. I ALSO ACKNOWLEDGE MY DUTY TO CONFIRM PRODUCT AND INSTALLATION COMPLIANCE WITH ALL APPLICABLE FEDERAL, STATE AND LOCAL REGULATIONS AND STANDARDS.  
**ANY MODIFIED UNITS ARE NON-RETURNABLE**  
[ ] As drawn [ ] As marked

Signed: \_\_\_\_\_ Date: \_\_\_\_\_  
Printed Name: \_\_\_\_\_

**LEAD TIME WILL START UPON RECEIPT OF SIGNED APPROVAL DRAWING**

FOR INTERNAL USE ONLY PROJECT SIGN OFF	
SALES	
ENG.	
FAB.	
POWER	

DISTRIBUTOR'S NAME:		P.O.#
VESTIL MANUFACTURING		X
DRAWN BY:	DATE:	W.O.#
S.ROSE	12/2/05	X
REFERENCE:	SCALE:	SALES:
X	1:24	X
QUOTED LEAD TIME:	QUOTE #	FILE NAME:
X	X	42-007-021