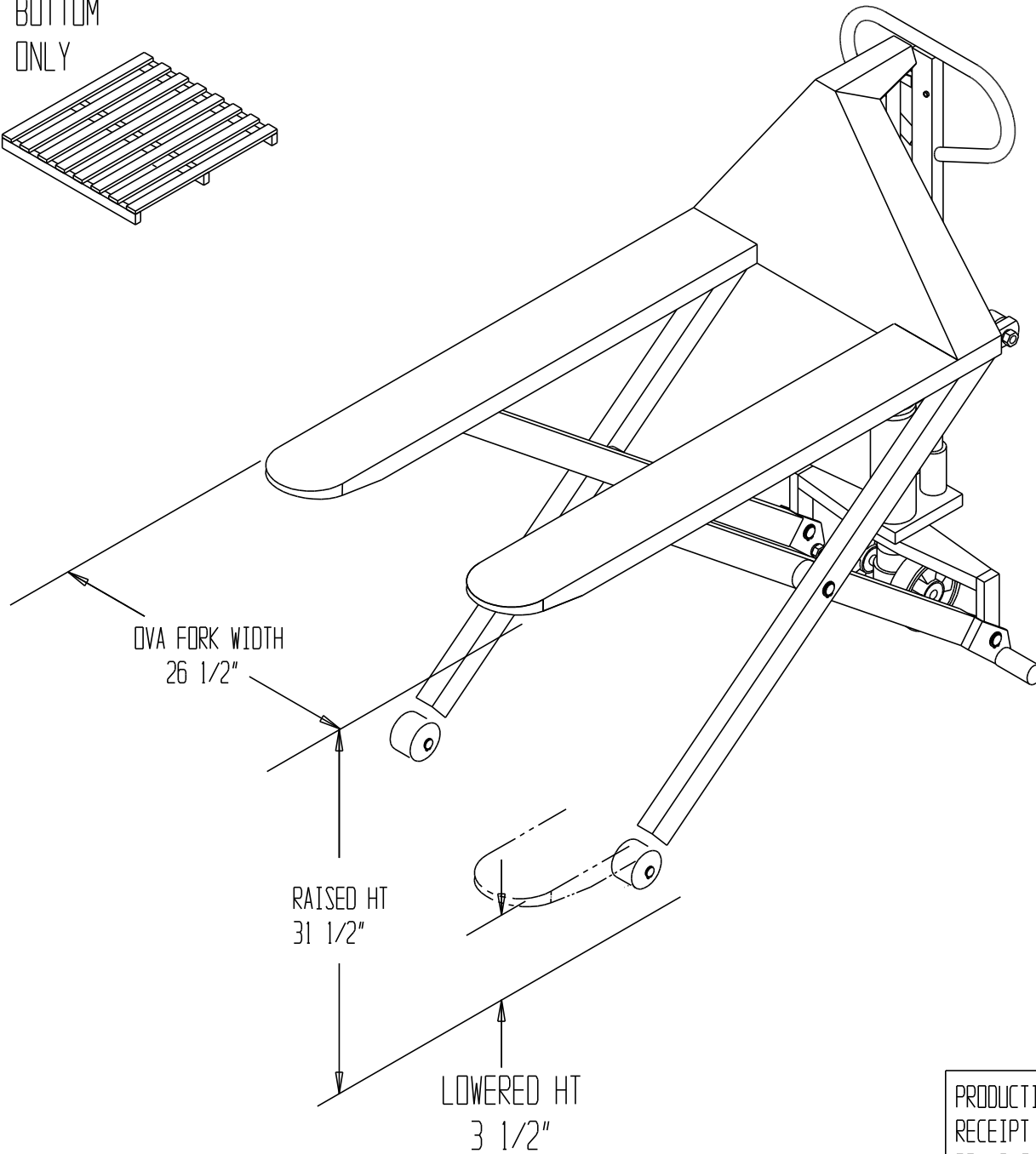
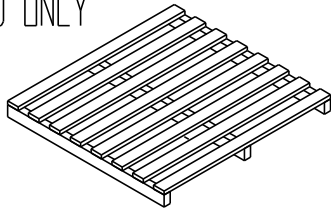


# STAINLESS STEEL TOTE LIFTER, L-270-HD-SS

FOR USE WITH  
OPEN BOTTOM  
SKID ONLY



OVERALL FORK WIDTH  
26 1/2"

RAISED HT  
31 1/2"

LOWERED HT  
3 1/2"

FOR USE WITH  
OPEN BOTTOM  
SKID ONLY

PRODUCTION WILL START UPON  
RECEIPT OF SIGNED APPROVAL  
DRAWING

## STANDARD FEATURES

MODEL NUMBER: L-270-HD-SS  
CAPACITY: 2,000 LBS  
LOWERED HT: 3 1/2"  
RAISED HT : 31 1/2"  
FORK LENGTH : 45"  
FORK WIDTH : 6 1/2"  
OVERALL FORK WIDTH : 26 3/4"  
UNIT TAKES 36 PUMPS TO FULLY RAISE

\*\*SPECIAL UNITS ARE NON-RETURNABLE  
\*AVAILABLE AT ADDITIONAL COSTS

## APPROVAL

I, the undersigned, hereby approve this print  
[ ] As drawn [ ] As marked  
This includes my approval of design & dimensions.  
Signed: \_\_\_\_\_  
Date: \_\_\_\_\_

DISTRIBUTOR'S NAME: <b>T &amp; S EQUIPMENT</b>		P.O.#: _____
DRAWN BY: S ROSE		W.O.#: _____
DATE: 7-16-04	SALES: _____	
REFERENCE: _____	DRWG./FILE NAME: L-270-HD-SS	