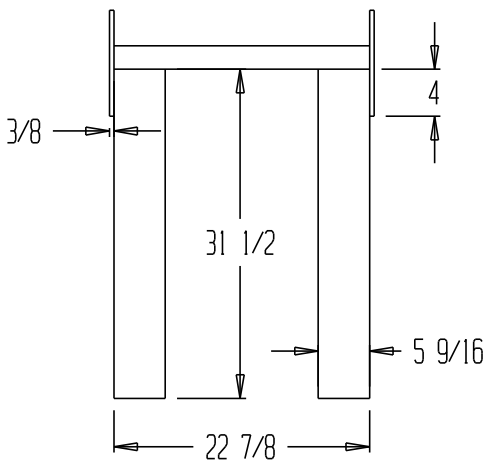
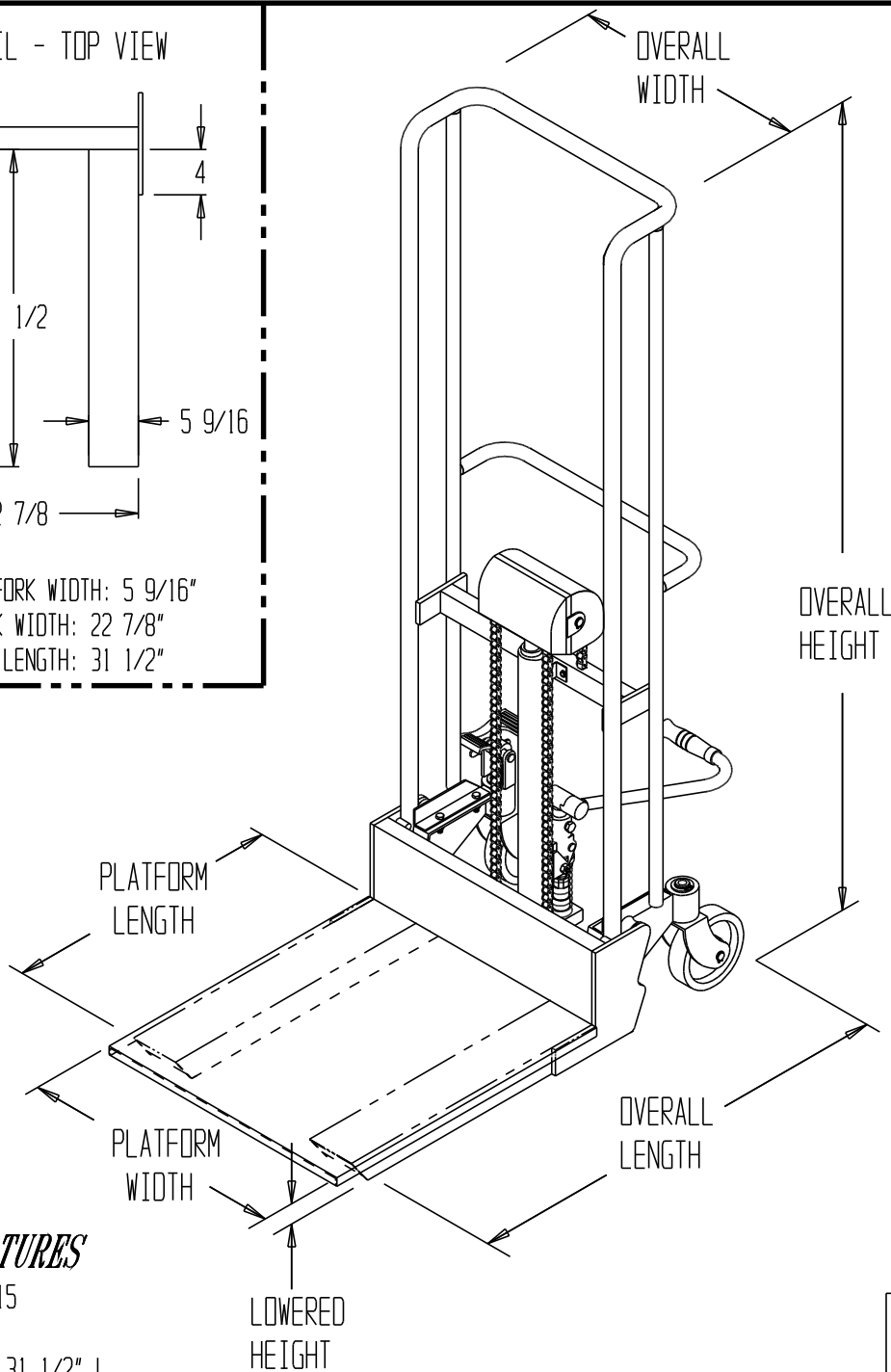


FORK DETAIL - TOP VIEW



FORK SPECS:
 INDIVIDUAL FORK WIDTH: 5 9/16"
 OVERALL FORK WIDTH: 22 7/8"
 USABLE FORK LENGTH: 31 1/2"

**HEFTI-LIFT,
 HYD-15**



STANDARD FEATURES

- MODEL NUMBER: HYD-15
- CAPACITY: 1500 lbs
- DECK SIZE: 23" W x 31 1/2" L
- OVERALL HEIGHT: 78"
- OVERALL LENGTH: 44"
- OVERALL WIDTH: 23 3/4"
- LOWERED HEIGHT: 4"
- RAISED HEIGHT: 63"
- HANDLE HEIGHT: 42"
- OUTRIGGERS:
- ID = 11 3/4" / OD = 22 7/8"
- CASTERS:
- 2- BACK 6" x 2"
- 2- FRONT 3 1/8" x 2 3/8"
- FOOT PUMP OPERATION

SPECIAL FEATURES

NONE

Any additions, deletions or omissions must be corrected on this drawing, as this drawing will be considered all inclusive.

All graphics provided are for reference only. If certain dimensions are critical please verify those dimensions with your salesperson

A I, THE UNDERSIGNED, AGREE THAT THE PRODUCT AS REPRESENTED
P SATISFIES DESIGN & DIMENSION REQUIREMENTS. I ALSO ACKNOWLEDGE
P MY DUTY TO CONFIRM PRODUCT & INSTALLATION COMPLIANCE WITH ALL
R APPLICABLE FEDERAL, STATE AND LOCAL REGULATIONS & STANDARDS.
O **ANY MODIFIED UNITS ARE NON-RETURNABLE**
V () As drawn () As marked
A Signed: _____ Date: _____
L Printed Name: _____
 LEAD TIME WILL START UPON RECEIPT OF SIGNED APPROVAL DRAWING

DISTRIBUTOR'S NAME:		P.O.#: _	
VESTIL MFG		W.O.#: _	
FOR INTERNAL USE ONLY PROJECT SIGN OFF	DRAWN BY:	DATE: 5/5/16	SALES: _
SALES	REFERENCE: _	SCALE: NONE	DRWG./FILE NAME:
ENG	QUOTED LEADTIME: _	QUOTE #: _	HYD-15
FAB.			
POWER			