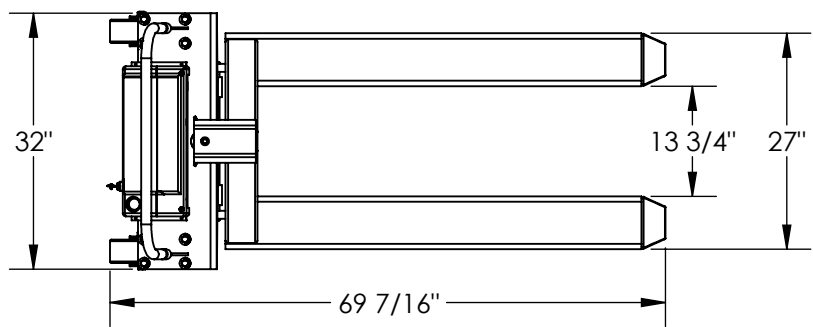


# HIGH RISE LIFT TRUCK - HIPM-2748-AIR

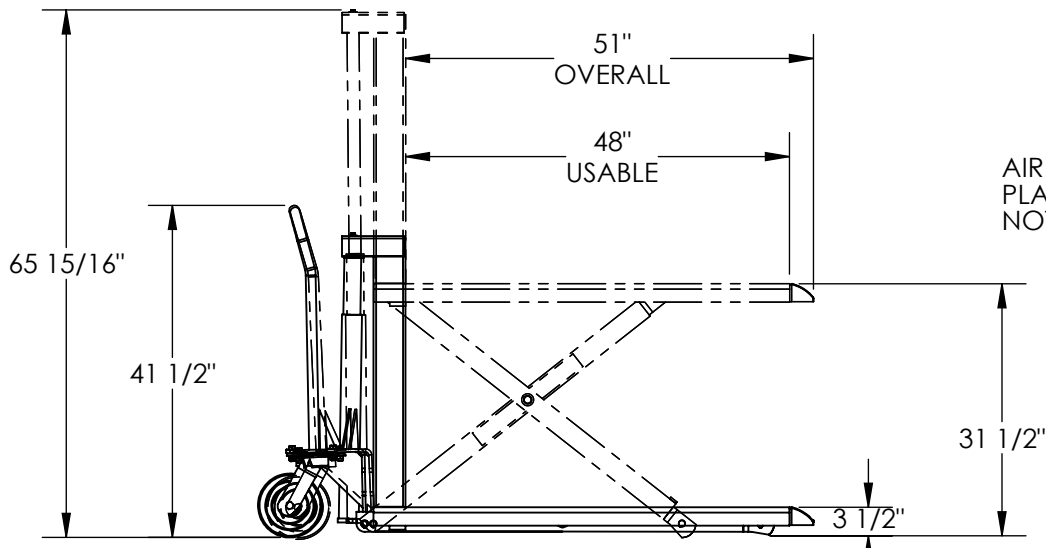
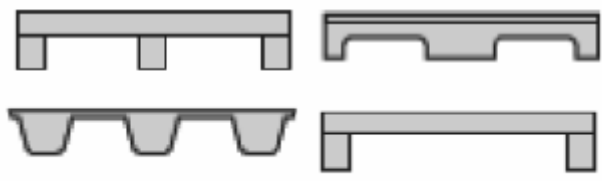
APPROX WEIGHT: 501.40 lbs.  
 DOES NOT INCLUDE WEIGHT OF POWER OR PACKAGING!!!

\*\*\* ANY ADDITIONS, DELETIONS, OR OMISSIONS MUST BE CORRECTED ON THIS DRAWING AS THIS DRAWING WILL BE CONSIDERED ALL INCLUSIVE \*\*\*

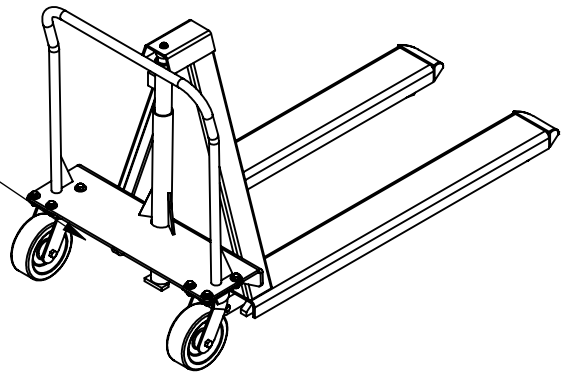
ALL GRAPHICS PROVIDED ARE FOR REFERENCE ONLY. IF CERTAIN DIMENSIONS ARE CRITICAL PLEASE VERIFY THOSE DIMENSIONS WITH YOUR SALESPERSON



For use with open bottom pallets only



AIR UNIT MOUNTING PLATE. AIR POWER UNIT NOT SHOWN.



DIMENSION TOLERANCE ± 1/4"

## STANDARD FEATURES

- MODEL NUMBER IS HIPM-2748-AIR
- OVERALL WIDTH IS 32"
- OVERALL LENGTH IS 69 7/16"
- OVERALL LOWERED HEIGHT IS 41 1/2"
- OVERALL RAISE HEIGHT IS 65 15/16"
- FORK WIDTH IS 27"
- USABLE FORK LENGTH IS 48"
- LOWERED FORK HEIGHT IS 3 1/2"
- RAISED FORK HEIGHT IS 31 1/2"
- RECIPROCATING AIR POWERED HYDRAULIC 15 CFM @ 100 PSI (1/4 GPM)
- FOOT TREADLE CONTROL
- MAX CAPACITY IS 2500 LBS.
- FOR USE WITH OPEN BOTTOM SKIDS ONLY

## SPECIAL FEATURES

NONE

APPROVAL

I, THE UNDERSIGNED, AGREE THAT THE PRODUCT AS REPRESENTED SATISFIES DESIGN AND DIMENSION REQUIREMENTS. I ALSO ACKNOWLEDGE MY DUTY TO CONFIRM PRODUCT AND INSTALLATION COMPLIANCE WITH ALL APPLICABLE FEDERAL, STATE AND LOCAL REGULATIONS AND STANDARDS.

**ANY MODIFIED UNITS ARE NON-RETURNABLE**

[ ] As drawn      [ ] As marked

Signed: \_\_\_\_\_ Date: \_\_\_\_\_

Printed Name: \_\_\_\_\_

*LEAD TIME WILL START UPON RECEIPT OF SIGNED APPROVAL DRAWING*

FOR INTERNAL USE ONLY PROJECT SIGN OFF	
SALES	
ENG.	
FAB.	
POWER	

DISTRIBUTOR'S NAME:		P.O.#
VESTIL MANUFACTURING		X
W.O.#		X
DRAWN BY:	DATE:	SALES:
KGH	7/27/2016	X
REFERENCE:	SCALE:	FILE NAME:
X	1:24	
QUOTED LEAD TIME:	QUOTE #	15-007-032-003
X	X	