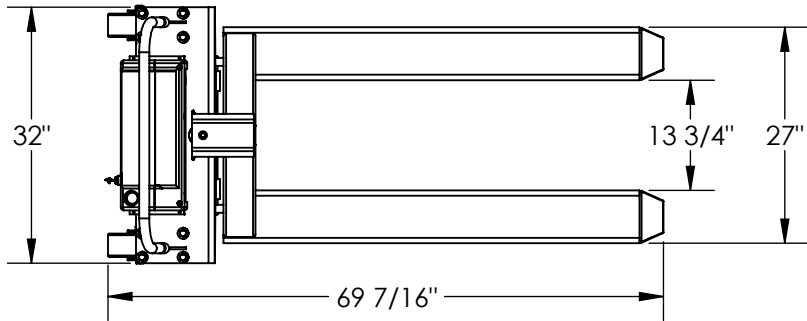


HIGH RISE LIFT TRUCK - HIPM-2748-AC

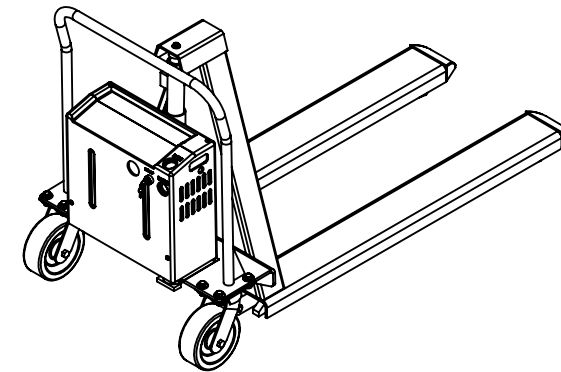
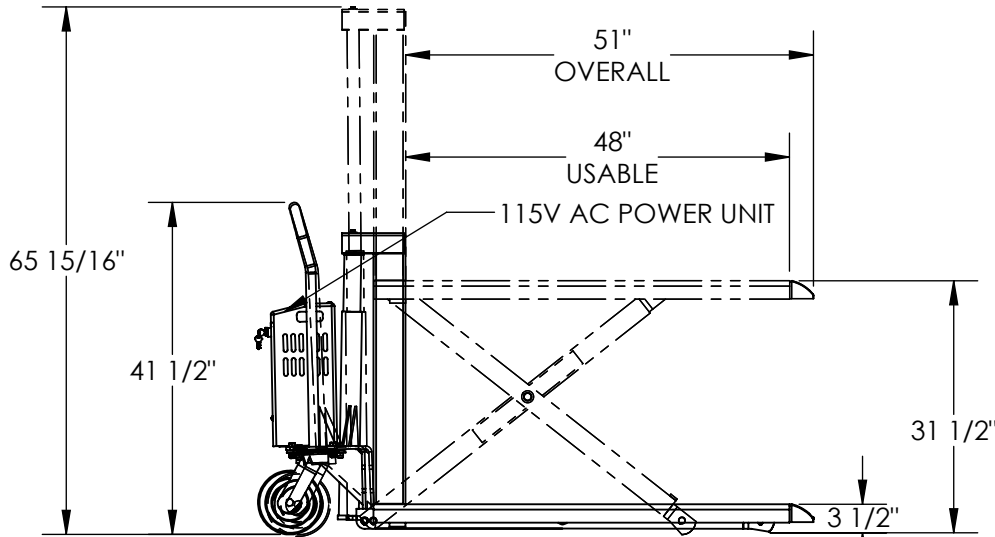
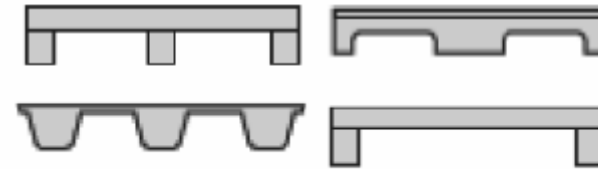
APPROX WEIGHT: 517.76 lbs.
DOES NOT INCLUDE WEIGHT OF POWER OR PACKAGING!!!

*** ANY ADDITIONS, DELETIONS, OR OMISSIONS MUST BE CORRECTED ON THIS DRAWING AS THIS DRAWING WILL BE CONSIDERED ALL INCLUSIVE ***

ALL GRAPHICS PROVIDED ARE FOR REFERENCE ONLY. IF CERTAIN DIMENSIONS ARE CRITICAL PLEASE VERIFY THOSE DIMENSIONS WITH YOUR SALESPERSON



For use with open
bottom pallets only



DIMENSION TOLERANCE ± 1/4"

STANDARD FEATURES

MODEL NUMBER IS HIPM-2748-AC
OVERALL WIDTH IS 32"
OVERALL LENGTH IS 69 7/16"
OVERALL LOWERED HEIGHT IS 41 1/2"
OVERALL RAISE HEIGHT IS 65 15/16"
FORK WIDTH IS 27"
USABLE FORK LENGTH IS 48"
LOWERED FORK HEIGHT IS 3 1/2"
RAISED FORK HEIGHT IS 31 1/2"
MAX CAPACITY IS 2500 LBS.
FOR USE WITH OPEN BOTTOM SKIDS ONLY
POWER SPECIFICATIONS: AC 115V WITH HAND HELD PENDANT CONTROL

SPECIAL FEATURES

NONE

| | | |
|---|--|-------------|
| APPROVAL | I, THE UNDERSIGNED, AGREE THAT THE PRODUCT AS REPRESENTED SATISFIES DESIGN AND DIMENSION REQUIREMENTS. I ALSO ACKNOWLEDGE MY DUTY TO CONFIRM PRODUCT AND INSTALLATION COMPLIANCE WITH ALL APPLICABLE FEDERAL, STATE AND LOCAL REGULATIONS AND STANDARDS. | |
| | ANY MODIFIED UNITS ARE NON-RETURNABLE | |
| | [] As drawn [] As marked | |
| Signed: _____ | | Date: _____ |
| Printed Name: _____ | | |
| LEAD TIME WILL START UPON RECEIPT OF SIGNED APPROVAL DRAWING | | |

| | |
|---|--|
| FOR INTERNAL USE ONLY PROJECT SIGN OFF | |
| SALES | |
| ENG. | |
| FAB. | |
| POWER | |

| | | |
|----------------------|-----------|----------------|
| DISTRIBUTOR'S NAME: | | P.O.# |
| VESTIL MANUFACTURING | | X |
| DRAWN BY: | DATE: | W.O.# |
| KGH | 7/27/2016 | X |
| REFERENCE: | SCALE: | FILE NAME: |
| X | 1:24 | 15-007-032-002 |
| QUOTED LEAD TIME: | QUOTE # | |
| X | X | |