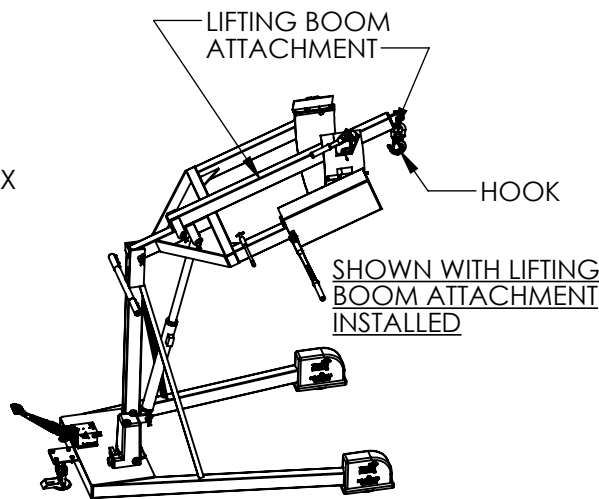
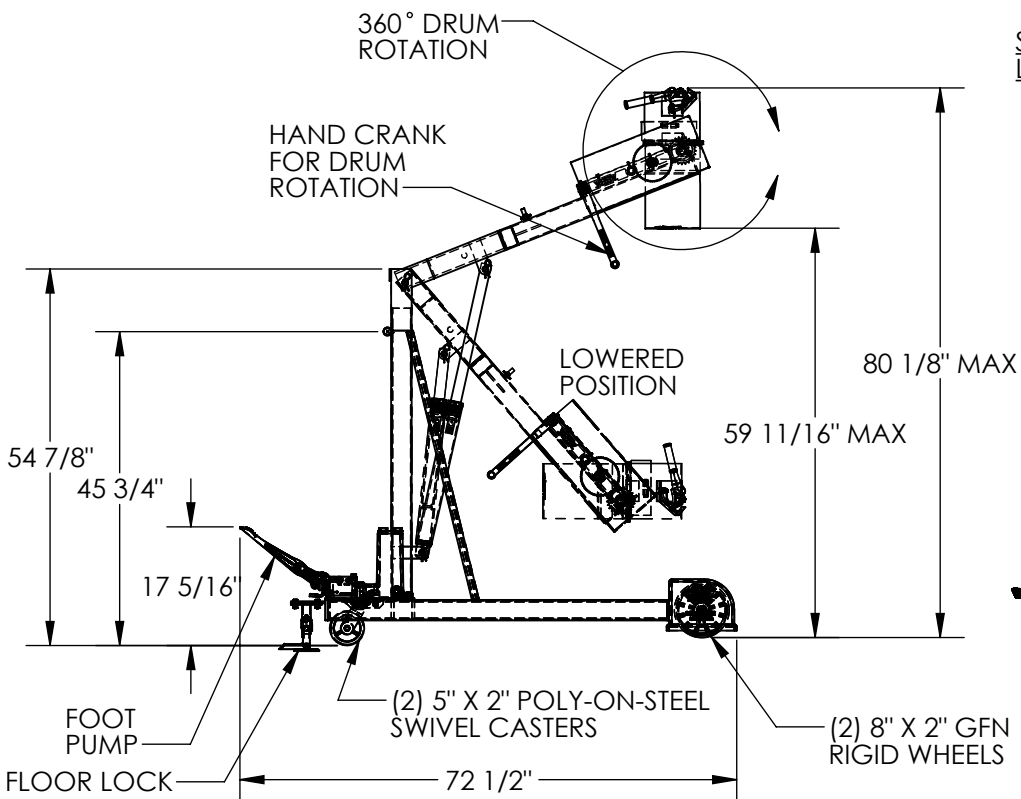
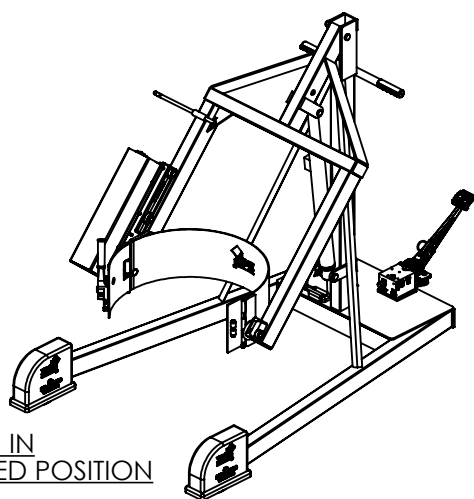
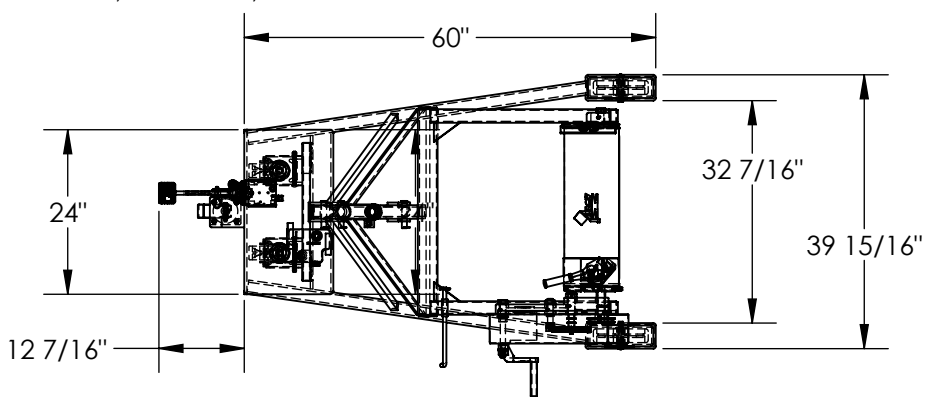


PORTABLE HYDRAULIC DRUM CARRIER/ROTATOR - HDC-305-60

APPROX WEIGHT: 405.54 lbs.
DOES NOT INCLUDE WEIGHT OF POWER OR PACKAGING!!!

ANY ADDITIONS, DELETIONS, OR OMISSIONS MUST BE CORRECTED ON THIS DRAWING AS THIS DRAWING WILL BE CONSIDERED ALL INCLUSIVE



FOR INTERNAL USE ONLY PROJECT SIGN OFF	
SALES	
ENG.	
FAB.	
POWER	

ALL GRAPHICS PROVIDED ARE FOR REFERENCE ONLY. IF CERTAIN DIMENSIONS ARE CRITICAL PLEASE VERIFY THOSE DIMENSIONS WITH YOUR SALESPERSON

STANDARD FEATURES

- MODEL NUMBER IS HDC-305-60
- CAPACITY IS 800 LBS
- OVERALL WIDTH IS 39 15/16"
- OVERALL LENGTH IS 72 1/2"
- OVERALL HEIGHT IS 80 1/8"
- OUT RIGGER INSIDE DIMENSION IS 32 7/16"
- PUSH HANDLE HEIGHT IS 45 3/4"
- DRUM RAISED HEIGHT IS 59 11/16"
- (2) 5" X 2" REAR SWIVEL POLY-ON-STEEL CASTERS
- (2) 8" X 2" FRONT RIGID GFN WHEELS
- HAND CRANK DRUM ROTATION (360°)
- FOOT PUMP
- FLOOR LOCK
- LIQUID BLUE PAINT
- LIFTING BOOM ATTACHMENT - MAY BE USED FOR LIFTING OBJECTS USING THE HOOK

DIMENSION TOLERANCE ± 1/4"

APPROVAL

I, THE UNDERSIGNED, AGREE THAT THE PRODUCT AS REPRESENTED SATISFIES DESIGN AND DIMENSION REQUIREMENTS. I ALSO ACKNOWLEDGE MY DUTY TO CONFIRM PRODUCT AND INSTALLATION COMPLIANCE WITH ALL APPLICABLE FEDERAL, STATE AND LOCAL REGULATIONS AND STANDARDS.

ANY MODIFIED UNITS ARE NON-RETURNABLE

[] As drawn [] As marked

Signed: _____ Date: _____

Printed Name: _____

LEAD TIME WILL START UPON RECEIPT OF SIGNED APPROVAL DRAWING

DISTRIBUTOR'S NAME:		P.O.#
VESTIL MANUFACTURING		X
DRAWN BY: DEY		W.O.#
DATE: 12/05/11		X
REFERENCE: X	SCALE: 1:28	SALES: X
QUOTED LEAD TIME: X	QUOTE #	FILE NAME:
	X	09-007-026

SPECIAL FEATURES

NONE