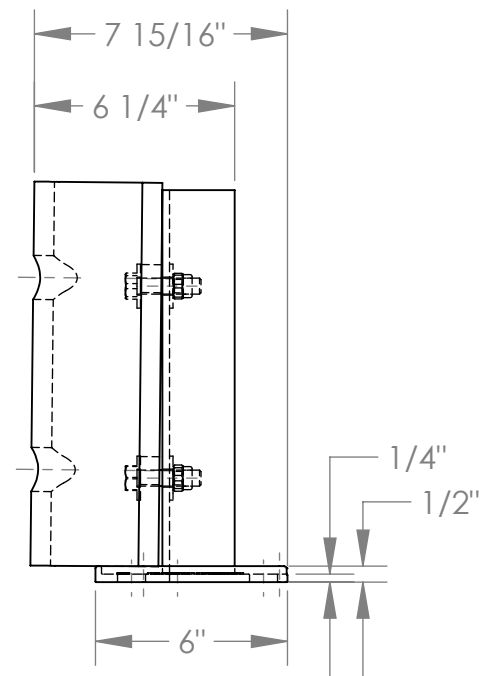
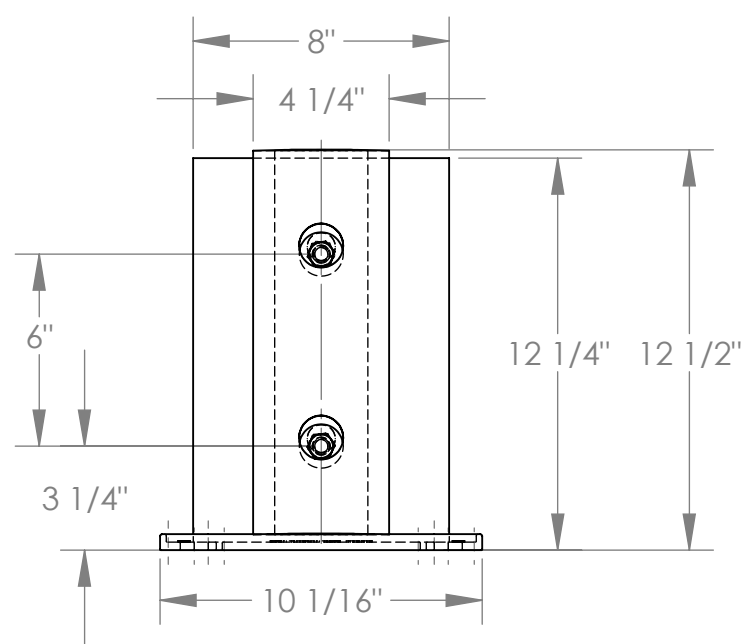
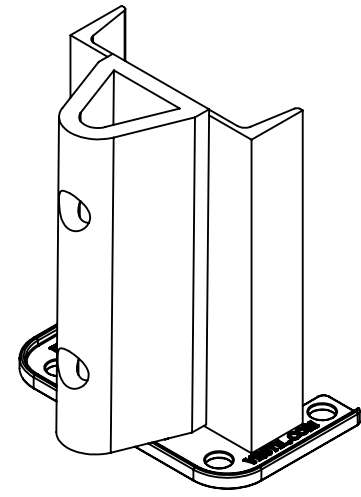
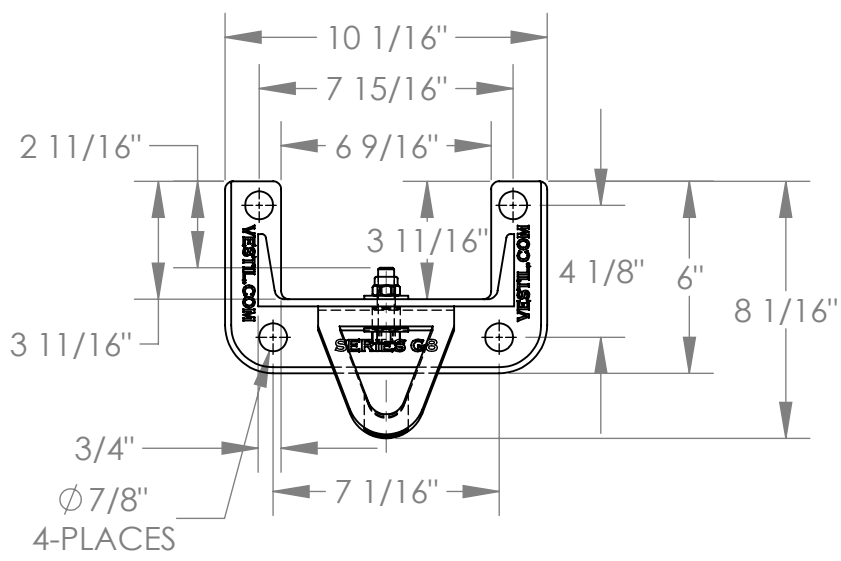


STRUCTURAL RACK GUARD WITH BUMPER- G8-12-B

APPROX WEIGHT: 17.61 lbs.
 DOES NOT INCLUDE WEIGHT OF POWER OR PACKAGING!!!

ANY ADDITIONS, DELETIONS, OR OMISSIONS MUST BE CORRECTED ON THIS DRAWING AS THIS DRAWING WILL BE CONSIDERED ALL INCLUSIVE

| | |
|---|--|
| FOR INTERNAL USE ONLY PROJECT SIGN OFF | |
| SALES | |
| ENG. | |
| FAB. | |
| POWER | |



ALL GRAPHICS PROVIDED ARE FOR REFERENCE ONLY. IF CERTAIN DIMENSIONS ARE CRITICAL PLEASE VERIFY THOSE DIMENSIONS WITH YOUR SALESPERSON

DIMENSION TOLERANCE ± 1/2"

STANDARD FEATURES

- MODEL NUMBER: G8-12-B
- OVERALL LENGTH: 8 1/16"
- OVERALL WIDTH: 10 1/16"
- OVERALL HEIGHT: 12 1/2"
- USABLE WIDTH: 6 9/16"
- INNER LENGTH: 3 11/16"
- CLEARANCE LENGTH: 2 11/16"
- PLATE THICKNESS: 1/4"
- (4) Ø 7/8 HOLES
 - FOR 3/4" DIA LAGS
- GUARD COLOR: SAFETY YELLOW
- BUMPER COLOR: BLACK

SPECIAL FEATURES

NONE

| | | |
|-----------------|--|-------------|
| APPROVAL | I, THE UNDERSIGNED, AGREE THAT THE PRODUCT AS REPRESENTED SATISFIES DESIGN AND DIMENSION REQUIREMENTS. I ALSO ACKNOWLEDGE MY DUTY TO CONFIRM PRODUCT AND INSTALLATION COMPLIANCE WITH ALL APPLICABLE FEDERAL, STATE AND LOCAL REGULATIONS AND STANDARDS. | |
| | ALL SPECIAL UNITS ARE NON-RETURNABLE <input type="checkbox"/> As drawn <input type="checkbox"/> As marked | |
| | Signed: _____ | Date: _____ |

LEAD TIME WILL START UPON RECEIPT OF SIGNED APPROVAL DRAWING

| | | |
|-----------------------------|----------------|------------|
| DISTRIBUTOR'S NAME: | | P.O.# |
| VESTIL MANUFACTURING | | X |
| | | W.O.# |
| DRAWN BY: QW | DATE: 08/10/06 | SALES: X |
| REFERENCE: X | SCALE: 1:6 | FILE NAME: |
| QUOTED LEAD TIME: X | QUOTE # X | 23-007-123 |