



Vestil Manufacturing Corp.
 2999 North Wayne Street, P.O. Box 507, Angola, IN 46703
 Telephone: (260) 665-7586 -or- Toll Free (800) 348-0868
 Fax: (260) 665-1339
 Web: www.vestilmfg.com e-mail: info@vestil.com

ETS-Series Self-Adjusting Work Tables Instruction Manual



Receiving Instructions

After delivery, remove the packaging from the product. Inspect the product closely to determine whether it sustained damage during transport. If damage is discovered, record a complete description of it on the bill of lading. If the product is undamaged, discard the packaging.

NOTE: The end-user is solely responsible for confirming that product design, use, and maintenance comply with laws, regulations, codes, and mandatory standards applied where the product is used.

Technical Service & Replacement Parts

For answers to questions not addressed in these instructions and to order replacement parts, labels, and accessories, call our Technical Service and Parts Department at (260) 665-7586. The department can also be contacted online at <https://www.vestil.com/page-parts-request.php>.

Electronic Copies of Instruction Manuals

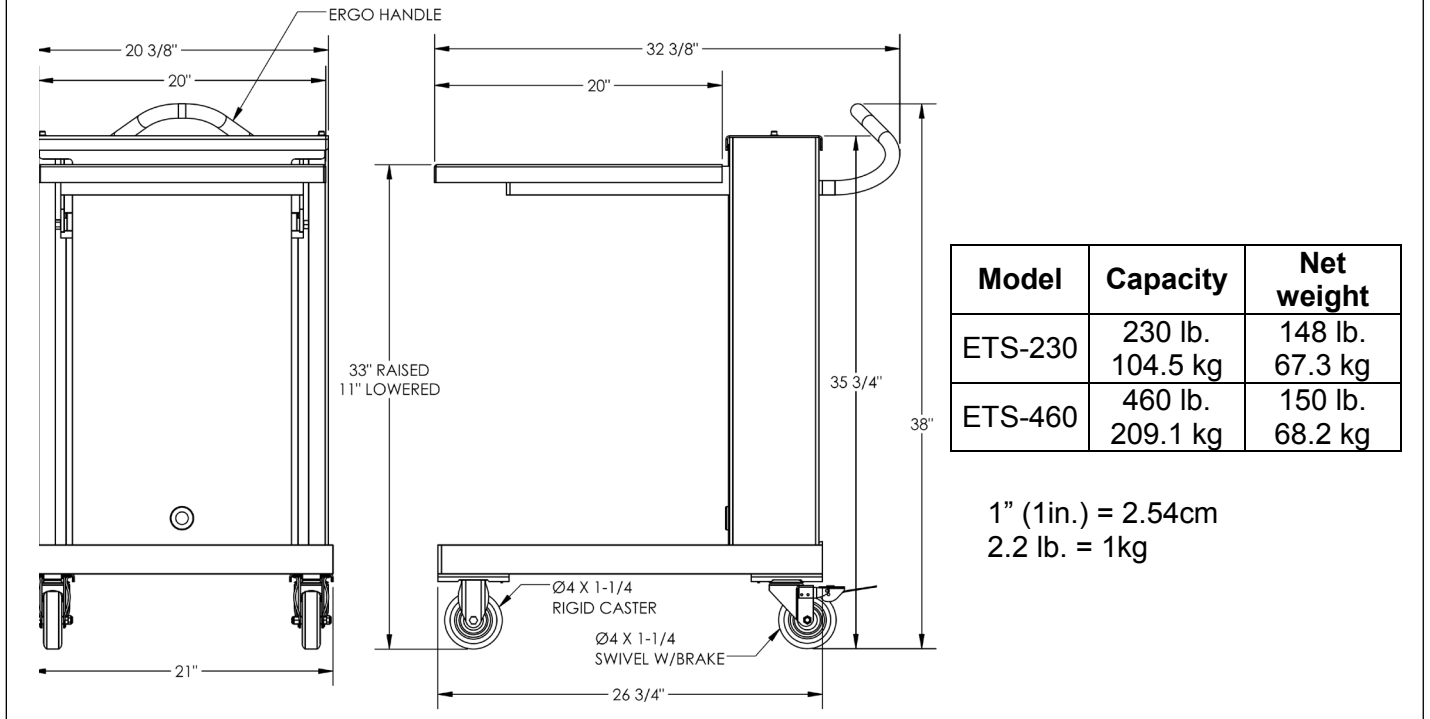
Additional copies of this instruction manual may be downloaded from <https://www.vestil.com/page-manuals.php>.

Table of Contents

	Page
Specifications.....	2
Signal Words.....	2
Safety Instructions.....	2 – 3
ETS-230 Exploded View and Bill of Materials.....	3
ETS-460 Exploded View and Bill of Materials.....	4
Load Chart.....	5
Using the Table.....	5
Record of Satisfactory Condition.....	6
Inspections & Maintenance.....	6
Labeling Diagram.....	6
Limited Warranty.....	7

SPECIFICATIONS (21-007-100)

Dimensions, capacity, and net weight information appear in the table and diagrams.



SIGNAL WORDS

This manual uses SIGNAL WORDS to indicate the likelihood that a particular action will cause personal injuries or property damage. Signal words also specify the level of seriousness of injury if the product is misused in the ways described. The following signal words are used in this manual.



DANGER Identifies a hazardous situation which, if not avoided, WILL result in DEATH or SERIOUS INJURY. Use of this signal word is limited to the most extreme situations.



WARNING Identifies a hazardous situation which, if not avoided, COULD result in DEATH or SERIOUS INJURY.



CAUTION Identifies practices likely to result in product/property damage, such as operation that might damage the product.



NOTICE Identifies practices likely to result in product/property damage, such as operation that might damage the ladder.

SAFETY INSTRUCTIONS

Vestil strives to identify all hazards associated with the use of our products. However, material handling is dangerous and no manual can address every risk. The most effective means for preventing accidents is for the end-user to exercise common sense and sound judgment whenever using this product.



Improper or careless use might result in serious personal injuries.

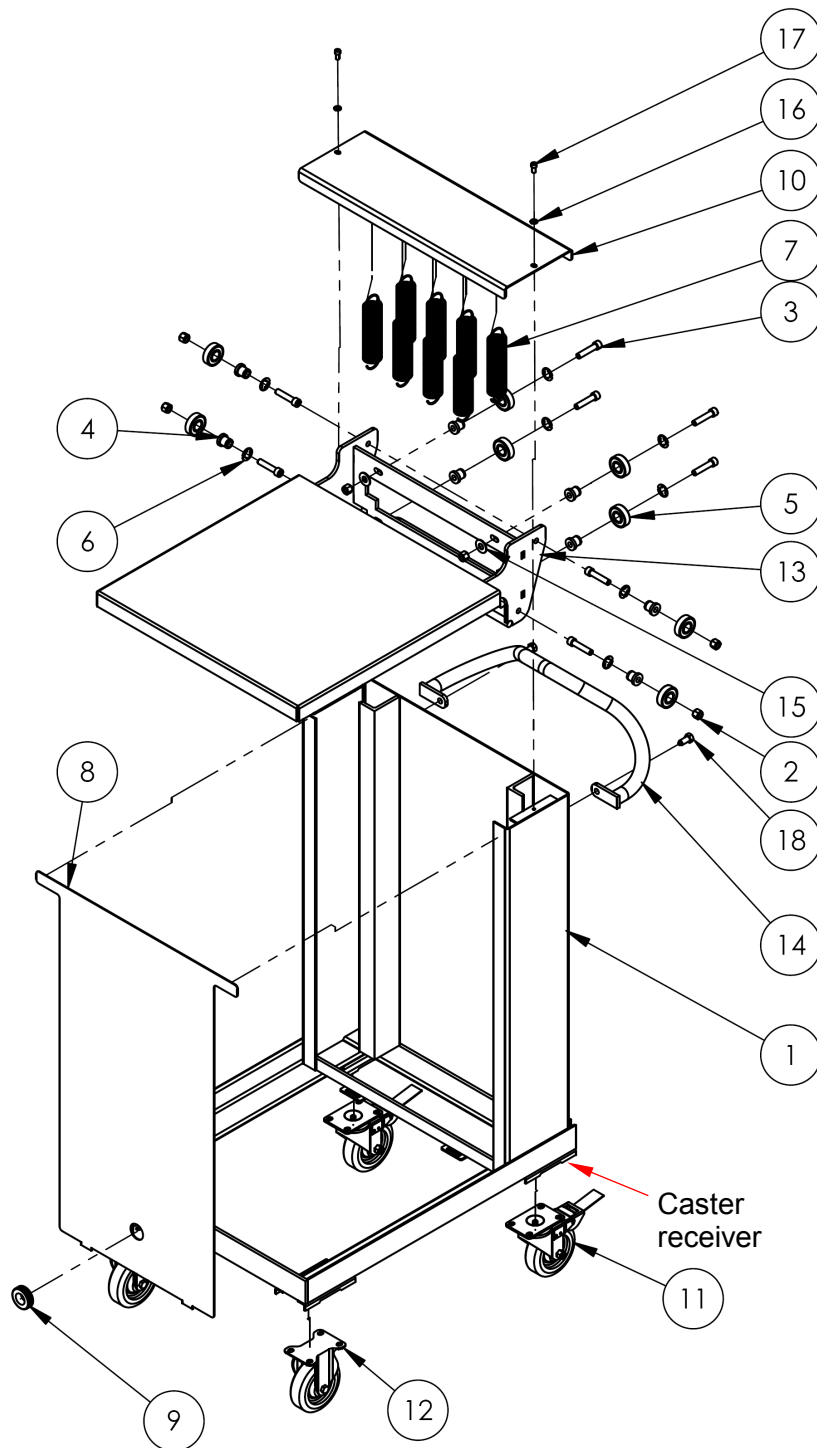
- Do not remove, alter, or obscure any label. If a label is damaged or unreadable, replace it. DO NOT use the lifter until all replacement labels are applied.
- Do not exceed the capacity of your table! Each table is labeled with its capacity. See Label 287 in [LABELING DIAGRAM](#) on p. 6.
- The table should never be used with fewer than 4 springs.
- Center and evenly distribute loads applied to the table.
- Apply both caster brakes whenever the table is stationary and particularly whenever loads are applied.
- Do not move the table across sloped terrain while it is loaded.
- ALWAYS remain uphill of the (unloaded) table whenever moving up or down inclines. If you cannot easily handle the table, do not attempt to move it by yourself.
- Keep your hands away from pinch points and openings. Do not reach beneath the table while it is loaded.

WARNING

(continued from p. 2)

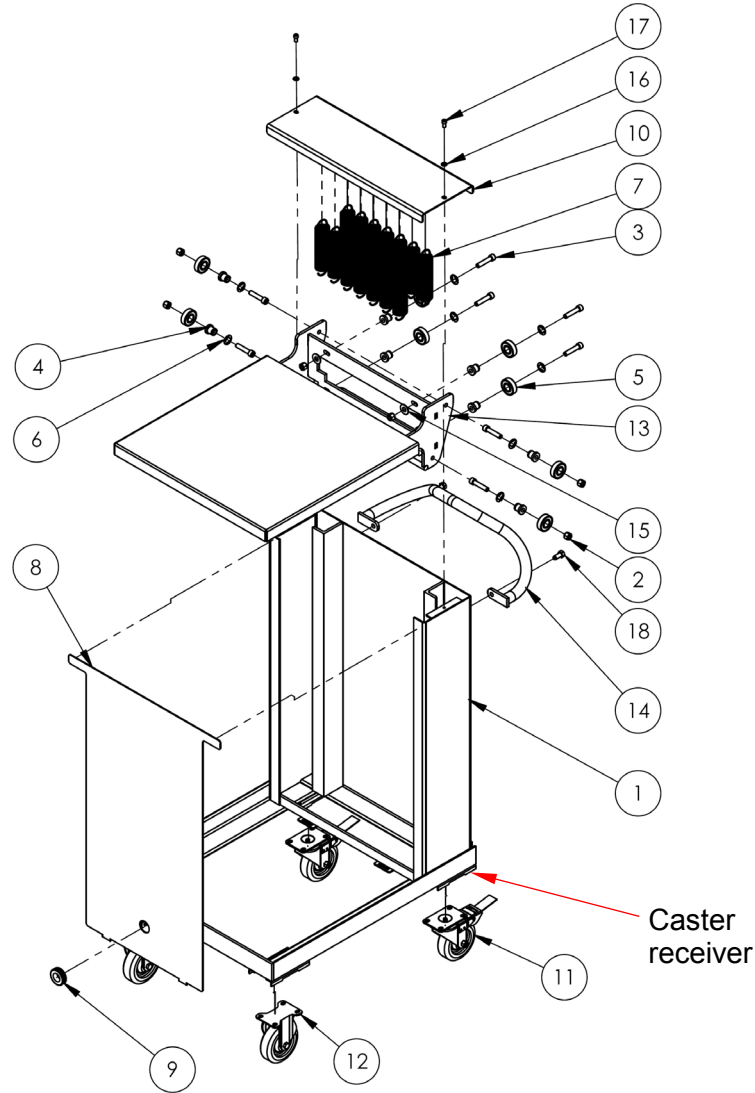
- Carefully load the table, i.e. do not drop loads onto it.
- Do not modify this table without express, written approval from Vestil. Unauthorized modifications automatically void the **LIMITED WARRANTY** on p. 7 and might make the table unsafe to use.
- Maintain the device according to the **INSPECTIONS & MAINTENANCE** instructions on p. 6. If replacement parts are needed, only install manufacturer-approved parts.

ETS-230 EXPLODED VIEW AND BILL OF MATERIALS (21-006-100)

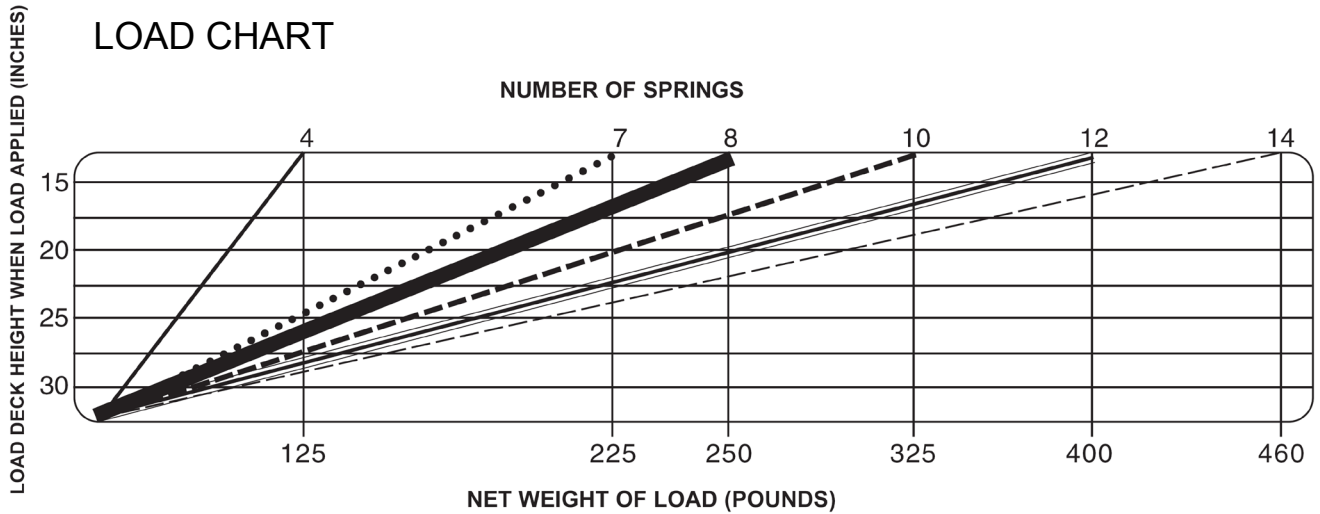


Item	Part no.	Description	Qty.
1	21-514-151	WELDMENT, BODY	1
2	37024	NYLON INSERT LOCK NUT, GRADE 2, ZINC FINISH, 3/8"-16	8
3	23310	SHCS, UTILITY GRADE, 3/8 - 16 x 1 3/4 LG.	8
4	21-113-021	SPACER, BEARING SHAFT	8
5	20-110-006	ROLLER BEARING	8
6	68083	E-CLIP, STEEL, FOR Ø5/8" SHAFT	8
7	21-146-003	SPRING, EXTENSION, SPRING #3	8
8	21-024-071	COVER, FRONT FRAME	1
9	01-034-021	GROMMET, BLACK RUBBER	1
10	21-524-006	WELDMENT, TOP	1
11	16-132-195-601	CASTER, SWIVEL W/ TOTAL LOCK BRAKE, Ø4" X 1 1/4", MAROON, DURATOUGH POLY	2
12	16-132-197-601	CASTER RIGID, Ø4 X 1 1/4, MAROON DURATOUGH POLY	2
13	21-513-101	WELDMENT, DECK, CARRIAGE	1
14	16-025-025	HANDLE, FORMED, HT/ERGO HANDLE	1
15	33007	3/8" USS FLAT WASHER, PLAIN	4
16	33617	1/4" SPLIT LOCK WASHER	2
17	23201	1/4-20 UNC X 1/2 LG	2
18	11103	HEX BOLT, GRADE A, ZINC PLATED, 3/8-16X3/4	2

ETS-460 EXPLODED VIEW AND BILL OF MATERIALS (21-006-101)



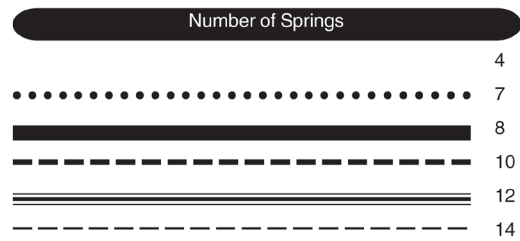
Item	Part no.	Description	Qty.	Item	Part no.	Description	Qty.
1	21-514-151	WELDMENT, BODY	1	10	21-524-006	WELDMENT, TOP	1
2	37024	NYLON INSERT LOCK NUT, GRADE 2, ZINC FINISH, 3/8"-16	8	11	16-132-195-601	CASTER, SWIVEL W/ TOTAL LOCK BRAKE, Ø4" X 1 1/4", MAROON, DURATOUGH POLY	2
3	23310	SHCS, UTILITY GRADE, 3/8 - 16 x 1 3/4 LG.	8	12	16-132-197-601	CASTER RIGID, Ø4 X 1 1/4, MAROON DURATOUGH POLY	2
4	21-113-021	SPACER, BEARING SHAFT	8	13	21-513-101	WELDMENT, DECK, CARRIAGE	1
5	20-110-006	ROLLER BEARING	8	14	16-025-025	HANDLE, FORMED, HT/ERGO HANDLE	1
6	68083	E-CLIP, STEEL, FOR Ø5/8" SHAFT	8	15	33007	3/8" USS FLAT WASHER, PLAIN	4
7	21-146-003	SPRING, EXTENSION, SPRING #3	14	16	33617	1/4" SPLIT LOCK WASHER	2
8	21-024-071	COVER, FRONT FRAME	1	17	23201	1/4-20 UNC X 1/2 LG	2
9	01-034-021	GROMMET, BLACK RUBBER	1	18	11103	HEX BOLT, GRADE A, ZINC PLATED, 3/8-16X3/4	2



ETS-230/460 LOAD CHART & SPRING GUIDE

Use this chart to determine how many springs must be used for each load applied to the load deck. **NEVER** use fewer than 4 springs.

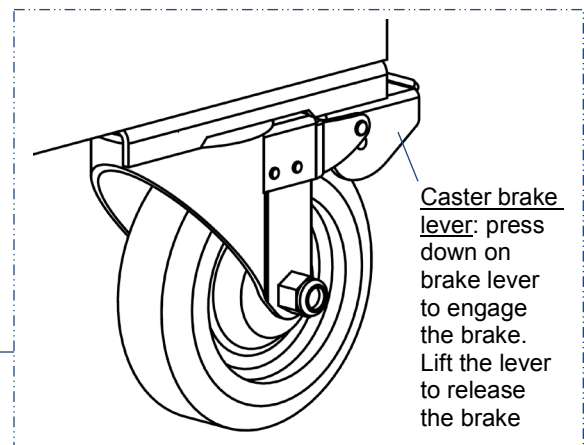
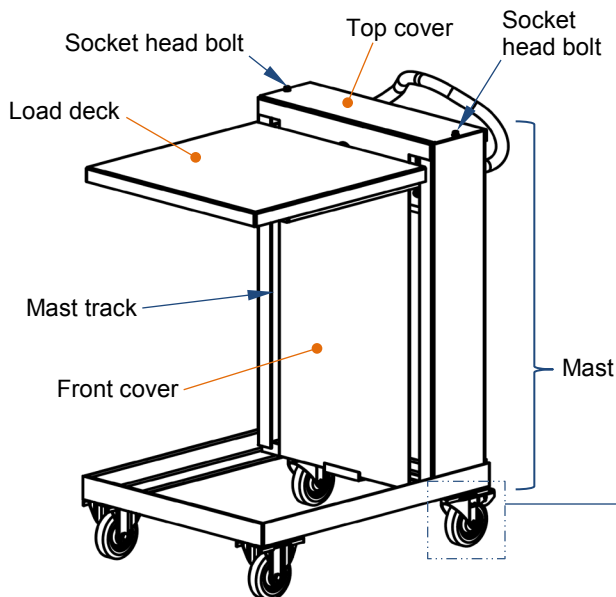
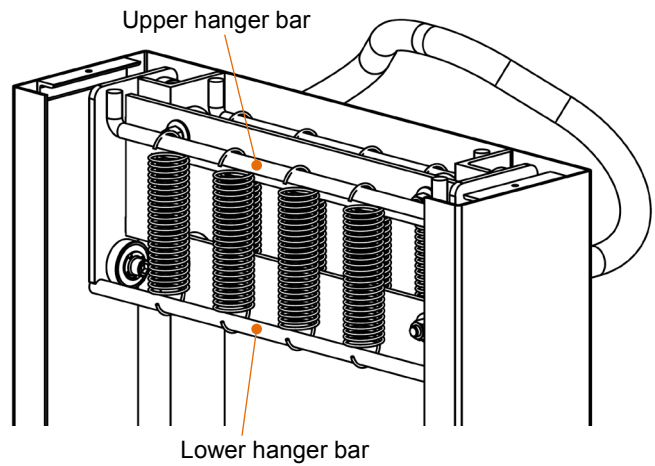
- 1.) Determine the **net weight** of the load (bottom horizontal axis of chart).
- 2.) Determine the desired **load deck height when the load is applied (vertical axis of chart)**.
- 3.) Using the chart above, find the point that corresponds to the deck height and load weight. locate the closest line intersecting the weight.
- 4.) By looking above and below the point, Identify the line closest to the point. Follow that line to the top of the chart. The number above the top of the line is the number of springs that must be used.



USING THE TABLE

1. Position the table as needed.
2. Apply both caster brakes.
3. Determine the net weight that will be applied to the table.
4. Use the load chart above to determine how many springs to use.
5. Remove the top cover by unscrewing the socket head bolts.
6. Unhook the springs that will not be used. Disconnect springs from the lower hanger bar, but leave them connected to the upper hanger bar.
7. Replace the cover and reinstall the bolts.
8. *Carefully* apply the load to the table.

(Shown without top cover, front cover, and load deck for clarity)



RECORD OF SATISFACTORY CONDITION

Before using the table for the first time, create a written record of its appearance and functions. Include detailed descriptions about the frame, casters, load deck, and the mast. Include observations about how the load deck responds when a test weight is applied to it as well as any sounds you hear. Thoroughly photograph the unit and all labels. Add the photographs to the record. This record establishes “normal condition”. When conducting future inspections, compare your observations with the record to determine if a component is in normal condition or requires repair or replacement.

INSPECTIONS & MAINTENANCE

Regular inspections and maintenance are necessary to keep the table in normal condition for as long as possible. Do not use the table unless it is in normal operating condition. Complete all replacements and repairs before returning the table to service.

Step 1: Tag the table “Out of Service.”

Step 2: At least once per month, inspect the listed elements. Refer to the appropriate **EXPLODED VIEW** on p. 3 or 4.

- A. **Frame:** Inspect all welds for cracks. Inspect the metal tubing for damage, warps, and cracks. Also examine the connection points between the frame and the formed base piece. Make sure that the nuts and bolts are securely fastened together and that the bolt holes in the frame are not elongated, warped, or cracked.
- B. **Casters, caster receivers, and retaining hardware:** Check casters for excessive wear. All 4 casters should solidly contact the ground and should roll smoothly without wobbling. Examine the center hub of each caster for cracks. Confirm that caster receivers (see p. 3 or 4) and retaining hardware are in normal condition.
- C. **Mast (body), load deck, and carriage:** Inspect all parts of the deck and carriage for cracks, bends, and other damage. The deck should be level, square, and rigid. Apply a test load to the deck. Make sure that the deck descends smoothly and evenly from side to side. If the deck makes a lot of noise as it moves, apply a silicon wax to the mast track and lubricate the roller bearings.
- D. **Springs:** Remove the top cover and examine the springs. Confirm that every spring is intact. Apply a test load to the deck and slowly reduce it. Confirm that the springs recoil normally. Replace a spring if it is stretched, bent, or severely rusted.

Step 3: Complete all necessary repairs/replacements. Deformities, severe corrosion or rusting, or excessive wear of any part warrants immediate replacement of that part. DO NOT return the table to service until adjustments and repairs are complete!

NOTE: Adjustments and repairs differ significantly from modifications.

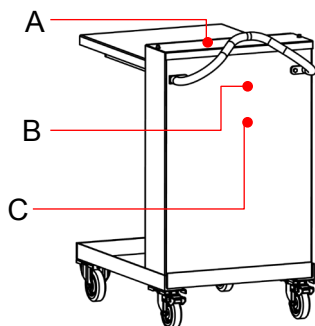
- a) **Adjustment (or repair)** means a simple correction that restores the cart to normal condition. Examples include tightening loose fasteners and lubricating moving parts.
- b) **Modifications** are changes that alter the cart from original condition, like bending the frame. NEVER modify the cart without express, written approval from Vestil. Modifications automatically void the limited warranty and might make the device unsafe to use.

Step 4: Make a dated record of all repairs, adjustments and replacements.

Step 5: Store the cart indoors in a dry location.

LABELING DIAGRAM

Label content and location are subject to change so your product might not be labeled exactly as shown. Replace all labels that are damaged, missing, or not easily readable (e.g. faded). To order replacement labels, contact the technical service and parts department online at http://www.vestilmfg.com/parts_info.htm. Alternatively, you may request replacement parts and/or service by calling (260) 665-7586 and asking the operator to connect you to the **TECHNICAL SERVICE AND PARTS DEPARTMENT**.



A: Label 287

MODEL/MODEL/MODELE	
STATIC CAPACITY (evenly distributed)	lbs.
LA CAPACIDAD CONSTANTE (distribuida uniformemente)	kg.
CAPACITE STATIQUE (distribuee regulierement)	kg.
SERIAL/SERIE/SERIE	
287 Rev 011	

B: Label 658

⚠ WARNING	⚠ ADVERTENCIA	⚠ AVERTISSEMENT
Do not operate or move with unstable loads DO NOT LOAD beyond rated capacity DISTRIBUTE LOAD EVENLY DO NOT sit or ride	No use a mueva con cargas inestables No cargue mas de la capacidad tasada DISTRIBUYA LA CARGA A NIVEL NO SE SIENTE o vaya en el carro	Ne pas utiliser avec une charge instable NE PAS CHARGER au-dela du debit nominale DISTRIBUER la charge regulierement NE PAS VOUS ASSEoir OU VOUS PROMENER sur le chariot

C: Label 212

⚠ WARNING	⚠ ADVERTENCIA	⚠ AVERTISSEMENT
LOCK CASTER and/or FLOOR LOCK when loading and unloading	La RUEDECILLA de la CERRADURA y/o el PISO CIERRAN al cargar y descargar	LOCK CASTER et/ou SOL LOCK lors du chargement et de dechargement
212 Rev 0111		

LIMITED WARRANTY

Vestil Manufacturing Corporation (“Vestil”) warrants this product to be free of defects in material and workmanship during the warranty period. Our warranty obligation is to provide a replacement for a defective, original part covered by the warranty after we receive a proper request from the Warrantee (you) for warranty service.

Who may request service?

Only a warrantee may request service. You are a warrantee if you purchased the product from Vestil or from an authorized distributor AND Vestil has been fully paid.

Definition of “original part”?

An original part is a part used to make the product as shipped to the Warrantee.

What is a “proper request”?

A request for warranty service is proper if Vestil receives: 1) a photocopy of the Customer Invoice that displays the shipping date; AND 2) a written request for warranty service including your name and phone number. Send requests by one of the following methods:

US Mail	Fax	Email
Vestil Manufacturing Corporation 2999 North Wayne Street, PO Box 507 Angola, IN 46703	(260) 665-1339 Phone (260) 665-7586	info@vestil.com Enter “Warranty service request” in subject field.

In the written request, list the parts believed to be defective and include the address where replacements should be delivered. After Vestil receives your request for warranty service, an authorized representative will contact you to determine whether your claim is covered by the warranty. Before providing warranty service, Vestil will require you to send the entire product, or just the defective part (or parts), to its facility in Angola, IN.

What is covered under the warranty?

The warranty covers defects in the following original, dynamic parts: motors, hydraulic pumps, motor controllers, and cylinders. It also covers defects in original parts that wear under normal usage conditions (“wearing parts”), such as bearings, hoses, wheels, seals, brushes, and batteries.

How long is the warranty period?

The warranty period for original dynamic components is 1 year. For wearing parts, the warranty period is 90 days. Both warranty periods begin on the date Vestil ships the product to the Warrantee. If the product was purchased from an authorized distributor, the periods begin when the distributor ships the product. Vestil may, at its sole discretion, extend a warranty period for products shipped from authorized distributors by up to 30 days to account for shipping time.

If a defective part is covered by the warranty, what will Vestil do to correct the problem?

Vestil will provide an appropriate replacement for any *covered* part. An authorized representative of Vestil will contact you to discuss your claim.

What is not covered by the warranty?

The Warrantee (you) is responsible for paying labor costs and freight costs to return the product to Vestil for warranty service.

Events that automatically void this Limited Warranty.

- Misuse;
- Negligent assembly, installation, operation or repair;
- Installation/use in corrosive environments;
- Inadequate or improper maintenance;
- Damage sustained during shipping;
- Collisions or other accidents that damage the product;
- Unauthorized modifications: Do not modify the product IN ANY WAY without first receiving written authorization from Vestil.

Do any other warranties apply to the product?

Vestil Manufacturing Corp. makes no other express warranties. All implied warranties are disclaimed to the extent allowed by law. Any implied warranty not disclaimed is limited in scope to the terms of this Limited Warranty. Vestil makes no warranty or representation that this product complies with any state or local design, performance, or safety code or standard. Noncompliance with any such code or standard is not a defect.

