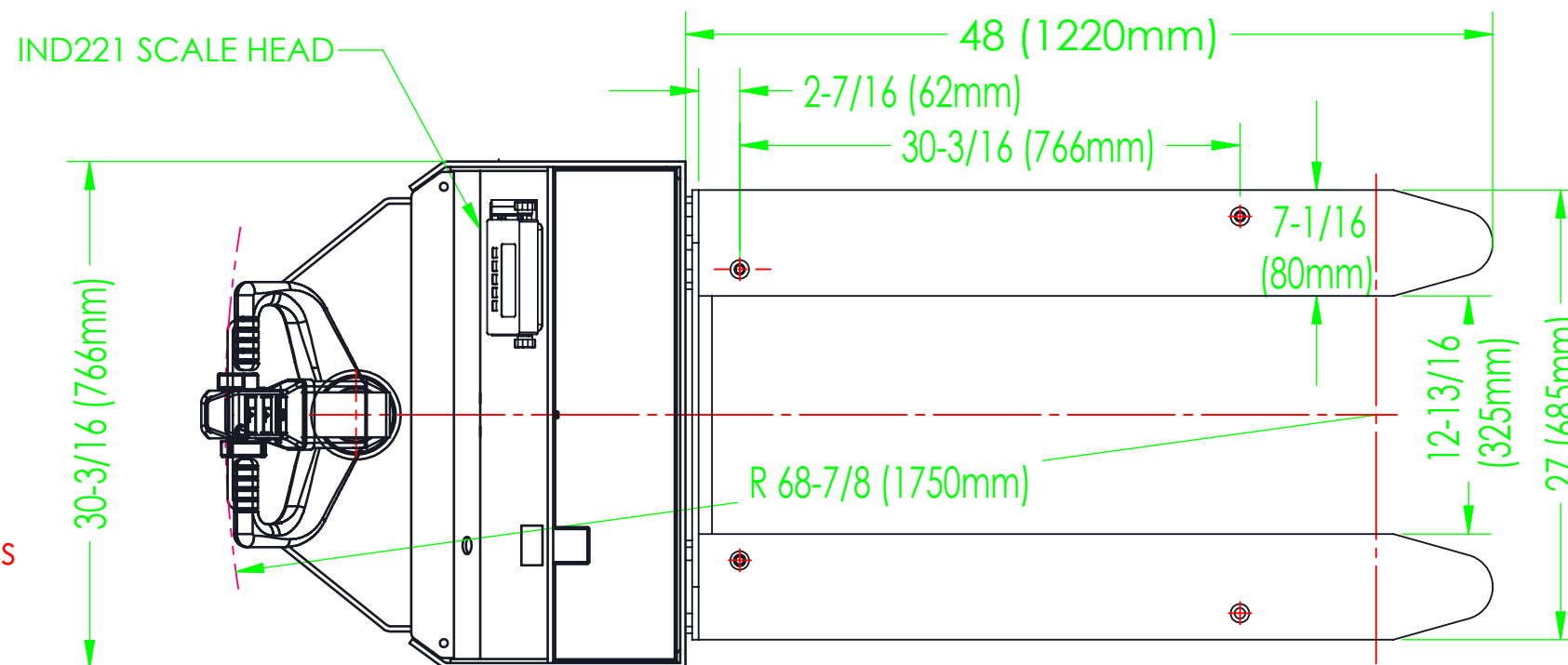
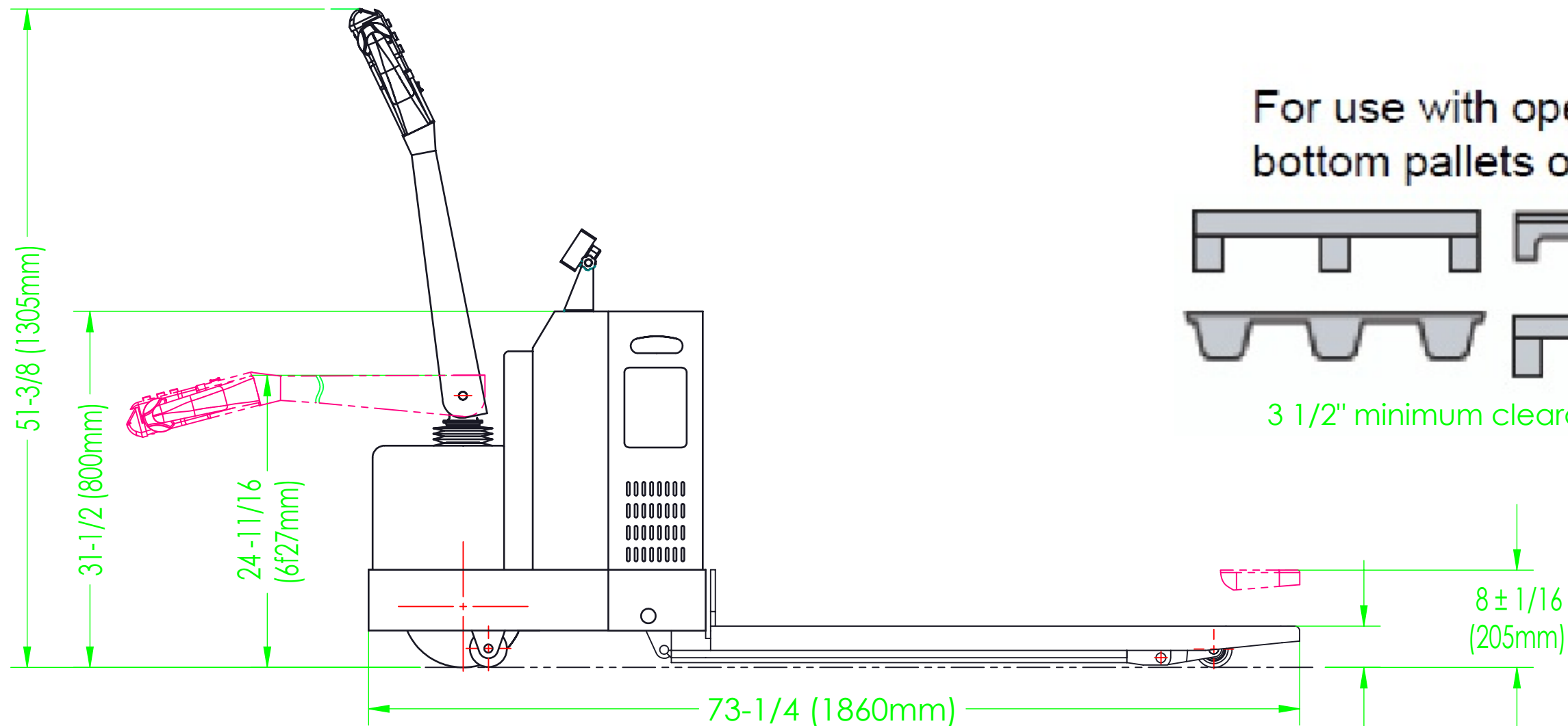


ELECTRIC PALLET TRUCK WITH SCALE- EPT-2748-45-SCL

APPROX. WEIGHT: 1056 LBS.

*** ANY ADDITIONS, DELETIONS, OR OMISSIONS MUST BE CORRECTED ON THIS DRAWING AS THIS DRAWING WILL BE CONSIDERED ALL INCLUSIVE ***
ALL GRAPHICS PROVIDED ARE FOR REFERENCE ONLY. IF CERTAIN DIMENSIONS ARE CRITICAL PLEASE VERIFY THOSE DIMENSIONS WITH YOUR SALESPERSON



FOR INTERNAL USE ONLY PROJECT SIGN OFF	
SALES	
ENG.	
FAB.	
POWER	

APPROVAL

I, THE UNDERSIGNED, AGREE THAT THE PRODUCT AS REPRESENTED SATISFIES DESIGN AND DIMENSION REQUIREMENTS. I ALSO ACKNOWLEDGE MY DUTY TO CONFIRM PRODUCT AND INSTALLATION COMPLIANCE WITH ALL APPLICABLE FEDERAL, STATE AND LOCAL REGULATIONS AND STANDARDS.

ANY MODIFIED UNITS ARE NON-RETURNABLE

[] As drawn [] As marked

Signed: _____ Date: _____

Printed Name: _____

LEAD TIME WILL START UPON RECEIPT OF SIGNED APPROVAL DRAWING

DISTRIBUTOR'S NAME:		P.O.#
		W.O.#
DRAWN BY:	DATE:	SALES:
REFERENCE:	SCALE:	FILE NAME:
QUOTED LEAD TIME:	QUOTE #	EPT-2748-45-SCL

STANDARD FEATURES
 Model # EPT-2748-45-SCL
 Capacity: 4,500 lbs. continuous
 Lift height: 8 ± 1/16"
 Lowered height: 3 3/8 ± 1/16"
 Drive wheel: Ø10 x 3 1/8"
 Load Roller: Ø2 3/4 x 2.9"