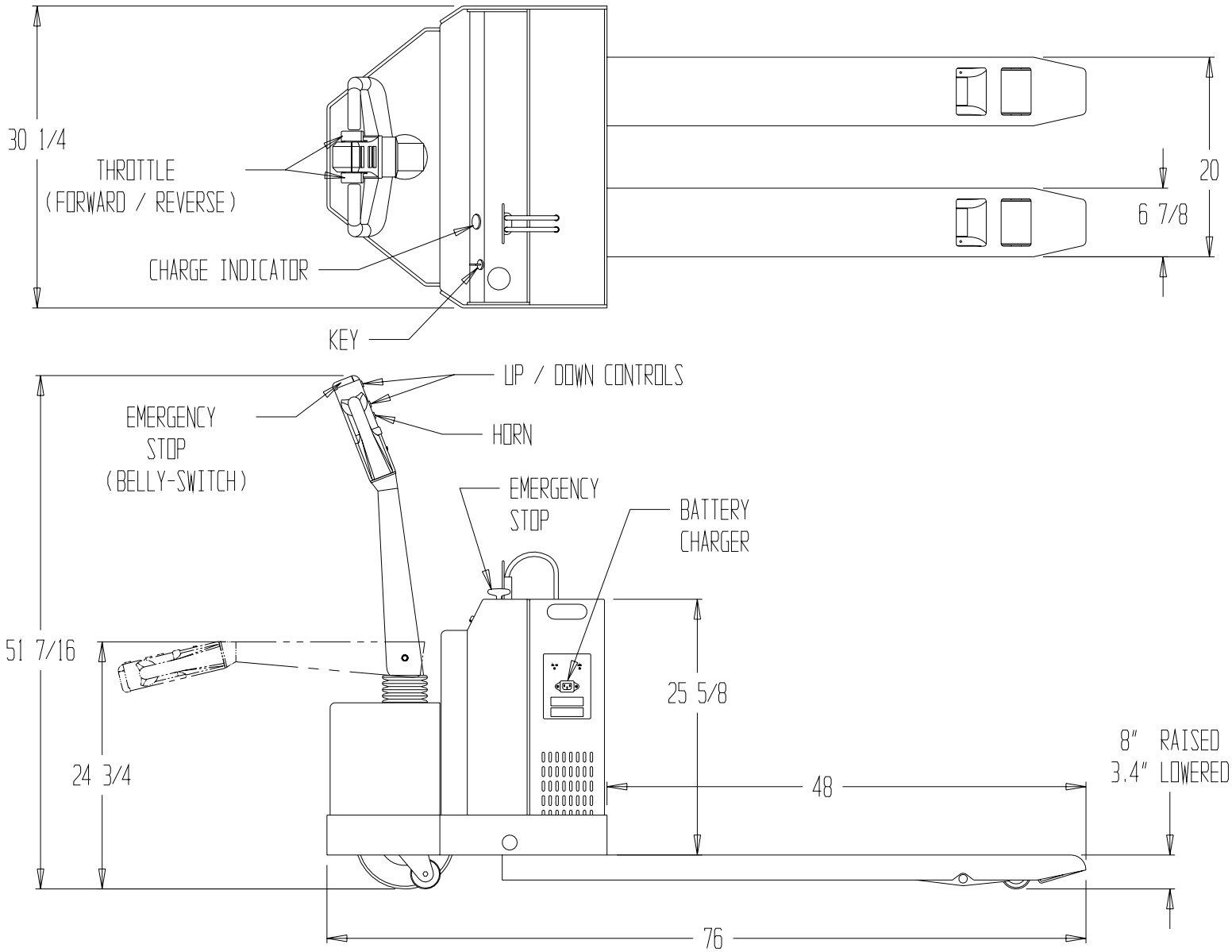


FULLY POWERED ELECTRIC PALLET TRUCK, EPT-2048-45



STANDARD FEATURES

MODEL NUMBER: EPT-2048-45
 CAPACITY: 4,500 LBS.
 OVERALL FORK WIDTH: 20"
 USABLE FORK LENGTH: 48"
 FORK RAISED HEIGHT: 8"
 FORK LOWERED HEIGHT: 3.4"
 OVERALL WIDTH: 30 1/4"
 OVERALL LENGTH: 76"
 OVERALL HEIGHT: 51 7/16"
 24V DC POWERED

SPECIAL FEATURES

NONE

LEAD TIME WILL START UPON RECEIPT OF SIGNED APPROVAL DRAWING

APPROVAL

I, the undersigned, hereby approve this print
 As drawn As marked
 This includes my approval of design & dimensions.
 Signed: _____
 Date: _____

**SPECIAL UNITS ARE NON-RETURNABLE
 *AVAILABLE AT ADDITIONAL COSTS

*** ALL GRAPHICS PROVIDED ARE FOR REFERENCE ONLY. IF CERTAIN DIMENSIONS ARE CRITICAL PLEASE VERIFY THOSE DIMENSIONS WITH YOUR SALESPERSON. ***

DISTRIBUTOR'S NAME: VESTIL MANUFACTURING		P.O.#: _
DRAWN BY: SR		W.O.#: _
DATE: 8-10-07		SALES: -
REFERENCE: -		DRWG./FILE NAME: EPT-2048-45
SCALE: 1:16		