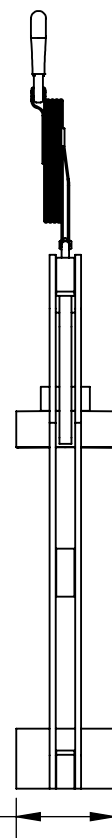
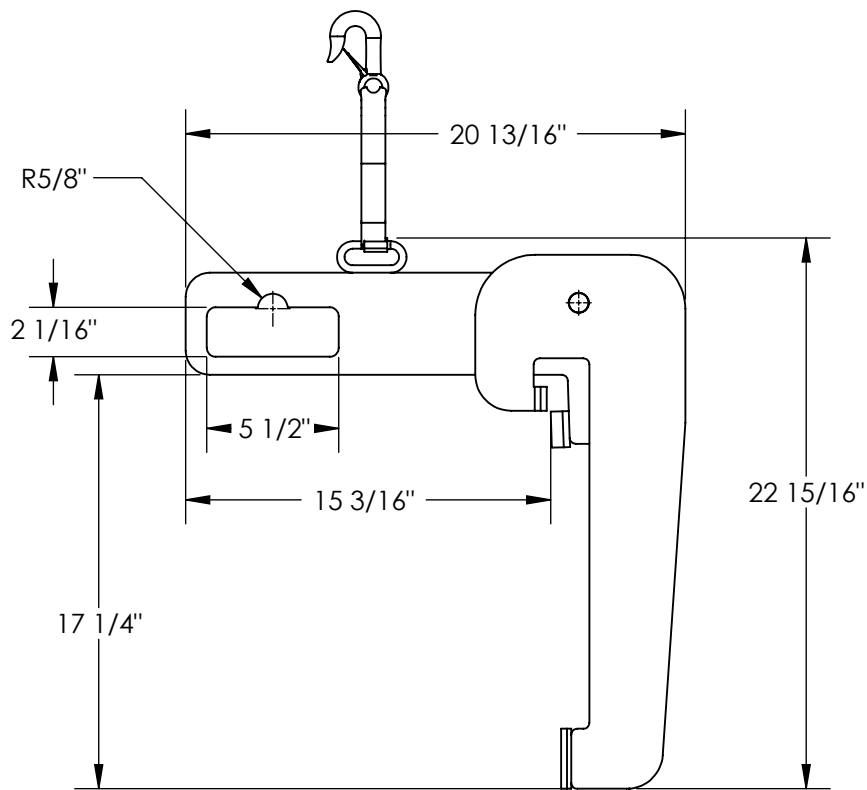


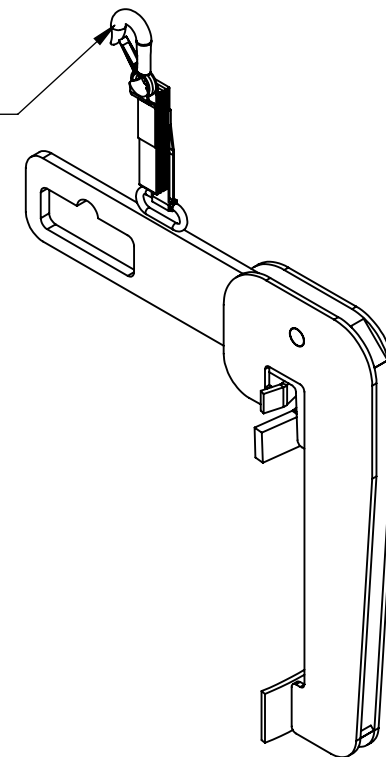
DRUM LIFTER - DL-31

APPROX WEIGHT: 28.01 lbs.
 DOES NOT INCLUDE WEIGHT OF POWER OR PACKAGING!!!

*** ANY ADDITIONS, DELETIONS, OR OMISSIONS MUST BE CORRECTED ON THIS DRAWING AS THIS DRAWING WILL BE CONSIDERED ALL INCLUSIVE ***
 ALL GRAPHICS PROVIDED ARE FOR REFERENCE ONLY. IF CERTAIN DIMENSIONS ARE CRITICAL PLEASE VERIFY THOSE DIMENSIONS WITH YOUR SALESPERSON



SAFETY RESTRAINT STRAP



DIMENSION TOLERANCE ± 1/4"

STANDARD FEATURES

- MODEL NUMBER: DL-31
- CAPACITY: 1,500 LBS.
- OVERALL WIDTH: 4 1/16"
- USABLE WIDTH: 4 1/16"
- OVERALL LENGTH: 20 13/16"
- USABLE LENGTH: 15 3/16"
- OVERALL HEIGHT: 22 15/16"
- USABLE HEIGHT: 17 1/4"
- FORK/HOOK OPENING: 5 1/2" W X 2 1/16" H
- STEEL CONSTRUCTION
- TOUGH BAKED IN POWDER COATED BLUE FINISH
- FOR USE WITH 55 & 30 GALLON STEEL DRUMS

SPECIAL FEATURES

NONE

APPROX. WEIGHT / LOST LOAD = 28 LBS
 MINIMUM EFFECTIVE THICKNESS = <1"
 NEVER EXCEED LOAD CENTER
 RATING PER FORKTRUCK
 MANUFACTURERS GUIDELINES.
 DO NOT USE THIS FORK TRUCK
 ATTACHMENT IF LOAD WILL
 EXCEED FORK TRUCK MANUFACTURER'S
 LOAD CENTER RATING

APPROVAL

I, THE UNDERSIGNED, AGREE THAT THE PRODUCT AS REPRESENTED SATISFIES DESIGN AND DIMENSION REQUIREMENTS. I ALSO ACKNOWLEDGE MY DUTY TO CONFIRM PRODUCT AND INSTALLATION COMPLIANCE WITH ALL APPLICABLE FEDERAL, STATE AND LOCAL REGULATIONS AND STANDARDS.
UNITS REQUIRING APPROVAL DRAWINGS OR MODIFIED ARE NON-RETURNABLE
 As drawn As marked

Signed: _____ Date: _____
 Printed Name: _____

LEAD TIME WILL START UPON RECEIPT OF SIGNED APPROVAL DRAWING

DISTRIBUTOR'S NAME:		P.O.#
VESTIL MANUFACTURING		X
DRAWN BY: QW		DATE: 12-01-2009
REFERENCE: X		SCALE: 1:8
QUOTED LEAD TIME: X	QUOTE # X	SALES: X
		FILE NAME: 09-007-065