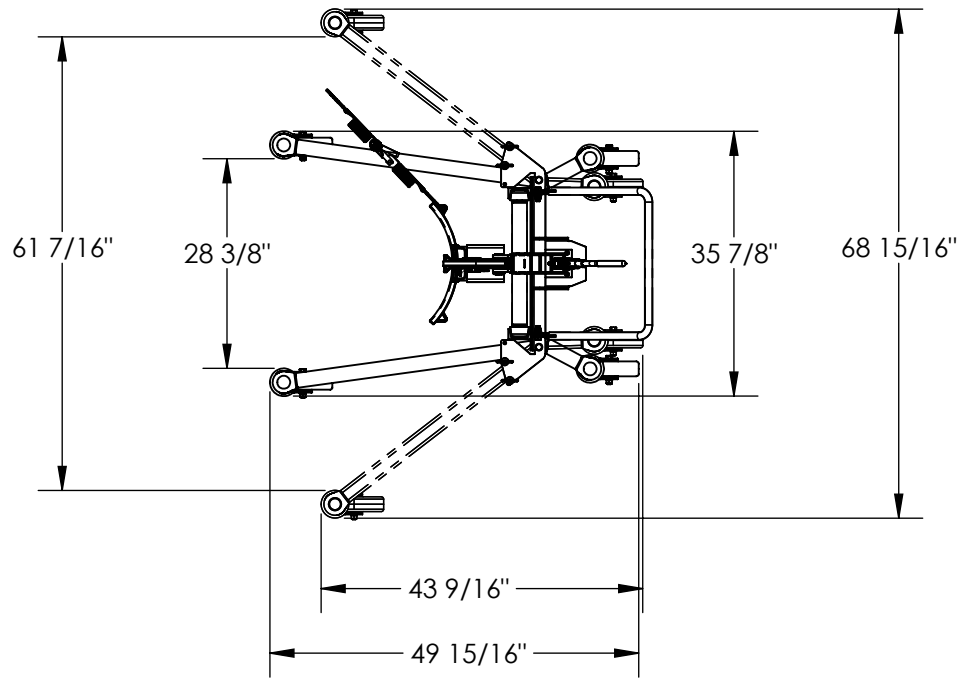


ECONOMICAL DRUM TRANSPORTER - DCR-880-M

APPROX WEIGHT: 236.41 lbs.
DOES NOT INCLUDE WEIGHT OF POWER OR PACKAGING!!!

*** ANY ADDITIONS, DELETIONS, OR OMISSIONS MUST BE CORRECTED ON THIS DRAWING AS THIS DRAWING WILL BE CONSIDERED ALL INCLUSIVE ***

ALL GRAPHICS PROVIDED ARE FOR REFERENCE ONLY. IF CERTAIN DIMENSIONS ARE CRITICAL PLEASE VERIFY THOSE DIMENSIONS WITH YOUR SALESPERSON



STANDARD FEATURES

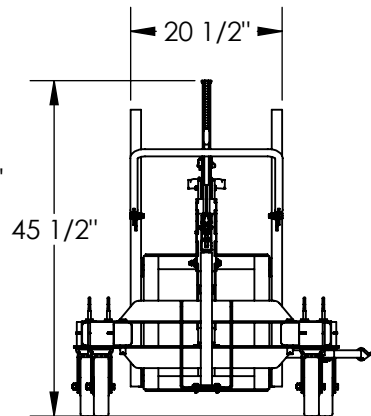
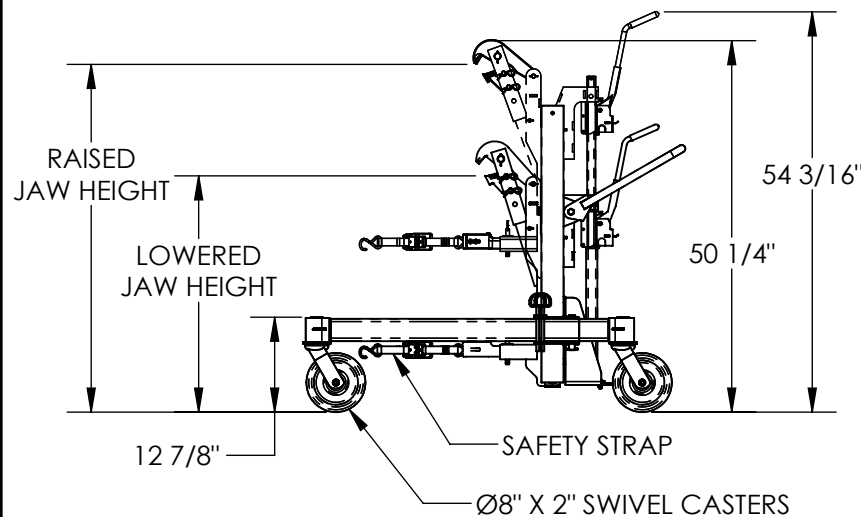
MODEL NUMBER IS DCR-880-M
CAPACITY: 880 LBS
OVERALL LOWERED HEIGHT IS 45 1/2"
OVERALL RAISED HEIGHT IS 54 3/16"
MIN OVERALL LENGTH IS 43 9/16"
MAX OVERALL LENGTH IS 49 15/16"
MIN OVERALL WIDTH IS 35 7/8"
MAX OVERALL WIDTH IS 68 15/16"
MIN INSIDE WIDTH IS 28 3/8"
MAX INSIDE WIDTH IS 61 7/16"
JAW LOWERED HEIGHT IS 31"
JAW RAISED HEIGHT IS 47"
HAND RATCHET OPERATION
CASTERS: 8 x 2 SWIVEL
INCLUDES SAFETY STRAP
TOUGH BAKED IN POWDER COATED YELLOW FINISH

SPECIAL FEATURES

NONE

FOR INTERNAL USE ONLY
PROJECT SIGN OFF

SALES	
ENG.	
FAB.	
POWER	



DIMENSION TOLERANCE ± 1/4"

APPROVAL

I, THE UNDERSIGNED, AGREE THAT THE PRODUCT AS REPRESENTED SATISFIES DESIGN AND DIMENSION REQUIREMENTS. I ALSO ACKNOWLEDGE MY DUTY TO CONFIRM PRODUCT AND INSTALLATION COMPLIANCE WITH ALL APPLICABLE FEDERAL, STATE AND LOCAL REGULATIONS AND STANDARDS.

ANY MODIFIED UNITS ARE NON-RETURNABLE

[] As drawn [] As marked

Signed: _____ Date: _____

Printed Name: _____

LEAD TIME WILL START UPON RECEIPT OF SIGNED APPROVAL DRAWING

DISTRIBUTOR'S NAME:		P.O.#
VESTIL MANUFACTURING		X
DRAWN BY: WHR		W.O.#
DATE: 02/21/12		X
REFERENCE: X	SCALE: 1:26	SALES: X
QUOTED LEAD TIME: X	QUOTE #	FILE NAME:
	X	40-007-013