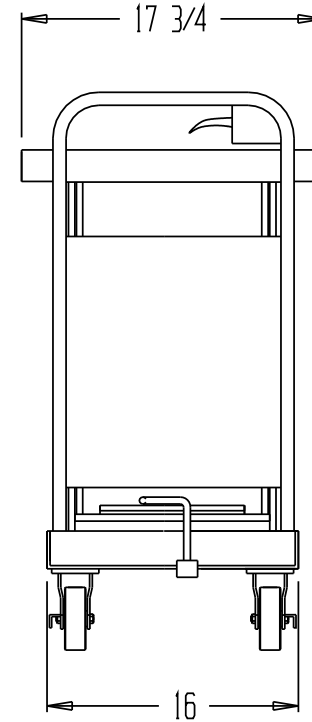
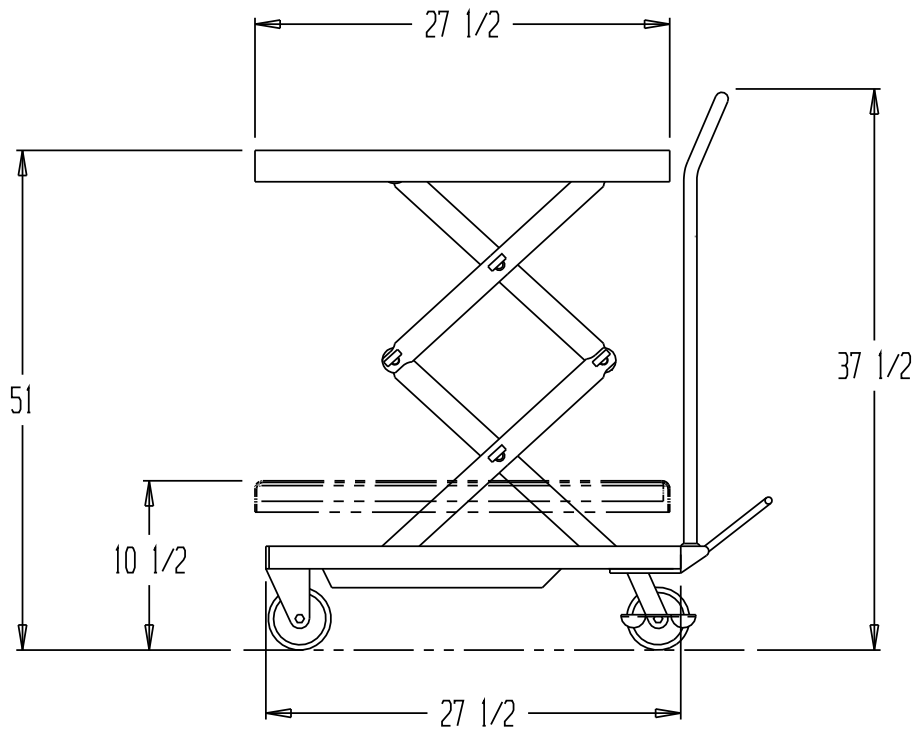


STAINLESS STEEL HYDRAULIC ELEVATING CART, CART-200-D-PSS



STANDARD FEATURES

MODEL NUMBER: CART-200-D-PSS
 CAPACITY: 220 LBS.
 PLATFORM: 17 3/4" x 27 1/2"
 PLATFORM RAISED HEIGHT: 51"
 PLATFORM LOWERED HEIGHT: 10 1/2"
 STANDARD SINGLE SPEED FOOT PUMP
 RAISES APPROX. 3" PER PUMP (NOT LOADED)
 PLATFORM, FRAME, HANDLE, CASTER RIGS AND
 HARDWARE ARE STAINLESS STEEL
 SCISSOR LEGS, PUMP ASSEMBLY AND HYDRAULIC
 CYLINDERS ARE ZINC PLATED

SPECIAL FEATURES

NONE

Any additions, deletions or omissions must be corrected on this drawing, as this drawing will be considered all inclusive.

All graphics provided are for reference only. If certain dimensions are critical please verify those dimensions with your salesperson

A I, THE UNDERSIGNED, AGREE THAT THE PRODUCT AS REPRESENTED
 P SATISFIES DESIGN & DIMENSION REQUIREMENTS. I ALSO ACKNOWLEDGE
 P MY DUTY TO CONFIRM PRODUCT & INSTALLATION COMPLIANCE WITH ALL
 R APPLICABLE FEDERAL, STATE AND LOCAL REGULATIONS & STANDARDS.
 O **ALL SPECIAL UNITS ARE NON-RETURNABLE**
 V [] As drawn [] As marked
 A Signed: _____ Date: _____
 L LEAD TIME WILL START UPON RECEIPT OF SIGNED APPROVAL DRAWING

DISTRIBUTOR'S NAME: VESTIL MFG		P.O.#: _
DRAWN BY: _____		W.O.#: _
DATE: _	SALES: _	
REFERENCE: _	SCALE: _	DRWG./FILE NAME: CART-200-PSS
QUOTED LEADTIME: _	QUOTE #: _	