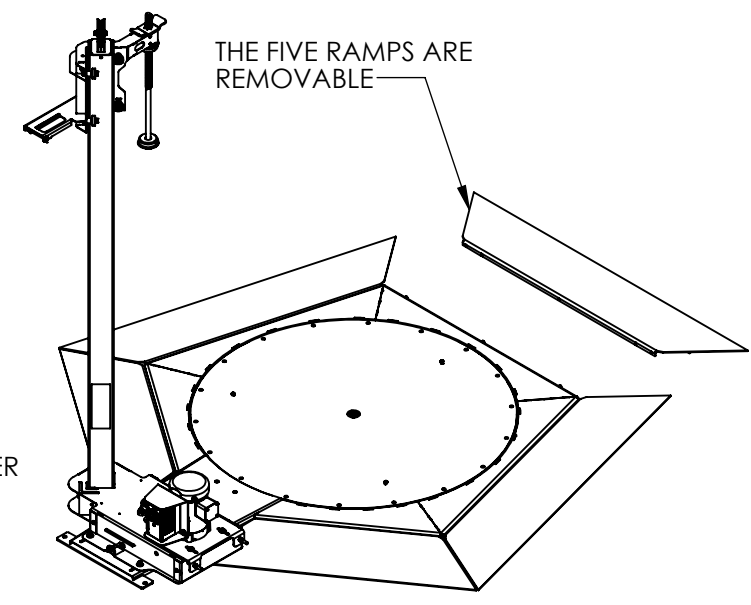
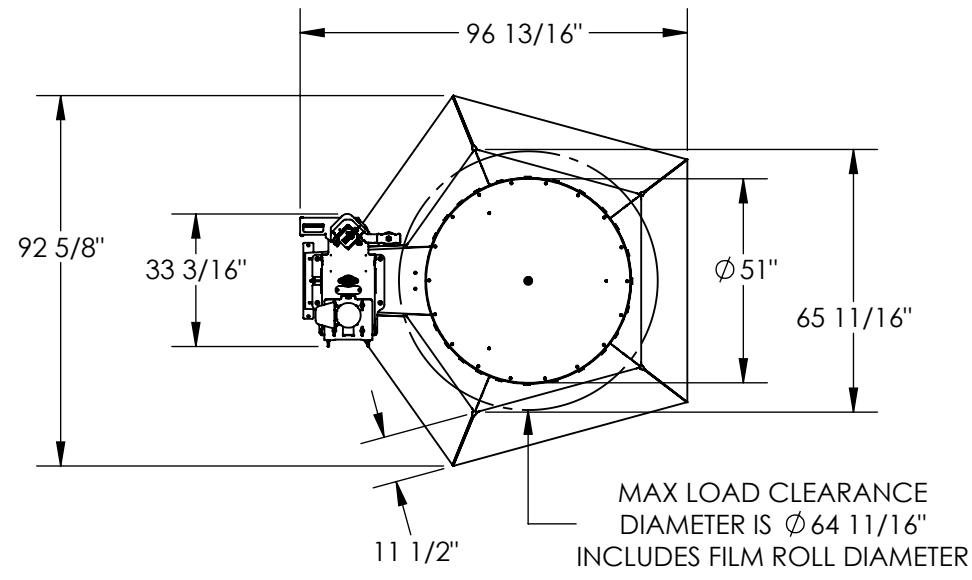


SEMI-AUTOMATIC STRETCH WRAP MACHINE - SWA-51-AR5

APPROX WEIGHT: 722.08 lbs.
 DOES NOT INCLUDE WEIGHT OF POWER OR PACKAGING!!!

*** ANY ADDITIONS, DELETIONS, OR OMISSIONS MUST BE CORRECTED ON THIS DRAWING AS THIS DRAWING WILL BE CONSIDERED ALL INCLUSIVE ***
 ALL GRAPHICS PROVIDED ARE FOR REFERENCE ONLY. IF CERTAIN DIMENSIONS ARE CRITICAL PLEASE VERIFY THOSE DIMENSIONS WITH YOUR SALESPERSON



3-D VIEW FOR REFERENCE

STANDARD FEATURES

MODEL NUMBER IS SWA-51-AR5
 CAPACITY IS 4000 LBS

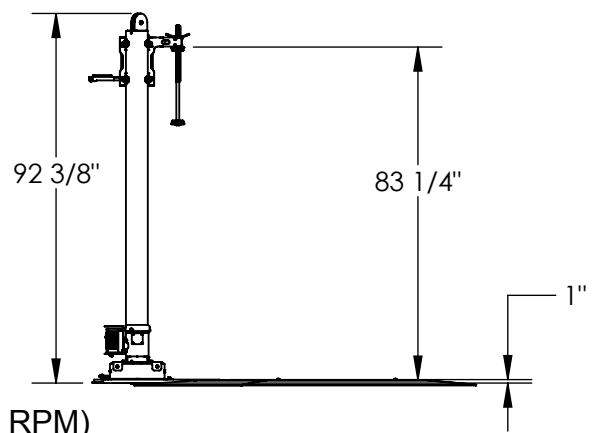
TURN TABLE DIAMETER IS $\phi 51$ "
 TURN TABLE DECK HEIGHT IS 1"
 OVERALL LENGTH IS 96 13/16"
 OVERALL HEIGHT IS 92 3/8"
 MAX WRAP HEIGHT IS 83 1/4"
 OVERALL 300° OF ACCESS

CHAIN DRIVEN
 VARIABLE SPEED TURN TABLE (3-12 RPM)
 WITH SOFT START/STOP

FOOT CONTROL FOR TURN TABLE ROTATION
 DECK IS TOUGH BAKED IN POWDER COATED
 YELLOW FINISH
 FRAME IS TOUGH BAKED IN POWDER COATED
 BLUE FINISH

POWER SPECIFICATIONS

AC POWER
 MOTOR VOLTAGE: 115V
 MOTOR PHASE: SINGLE
 CONTROL: FOOT



SPECIAL FEATURES

NONE

DIMENSION TOLERANCE $\pm 1/4$ "

APPROVAL	I, THE UNDERSIGNED, AGREE THAT THE PRODUCT AS REPRESENTED SATISFIES DESIGN AND DIMENSION REQUIREMENTS. I ALSO ACKNOWLEDGE MY DUTY TO CONFIRM PRODUCT AND INSTALLATION COMPLIANCE WITH ALL APPLICABLE FEDERAL, STATE AND LOCAL REGULATIONS AND STANDARDS.	
	ANY MODIFIED UNITS ARE NON-RETURNABLE	
	[] As drawn [] As marked	
	Signed: _____ Date: _____	
Printed Name: _____		
LEAD TIME WILL START UPON RECEIPT OF SIGNED APPROVAL DRAWING		

FOR INTERNAL USE ONLY PROJECT SIGN OFF	
SALES	
ENG.	
FAB.	
POWER	

DISTRIBUTOR'S NAME:		P.O.#
VESTIL MANUFACTURING		X
DRAWN BY: SJA		W.O.#
DATE: 2/9/2017		X
REFERENCE: X	SCALE: 1:48	SALES: X
QUOTED LEAD TIME: X	QUOTE #	FILE NAME:
	X	20-007-188