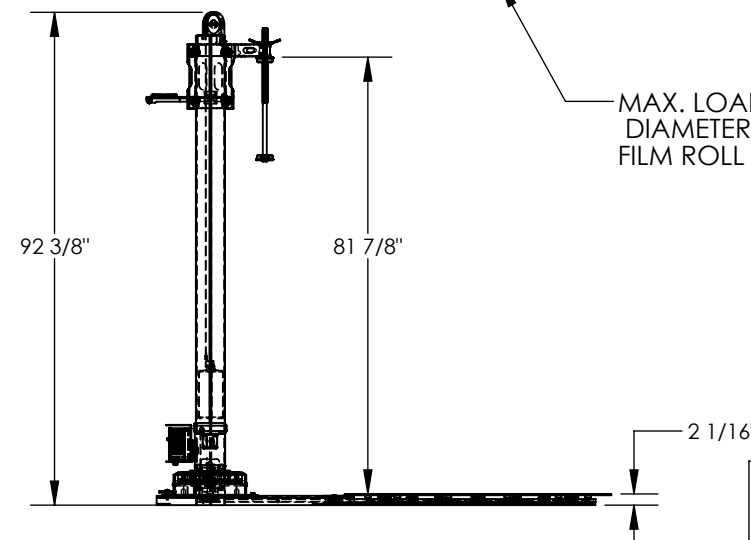
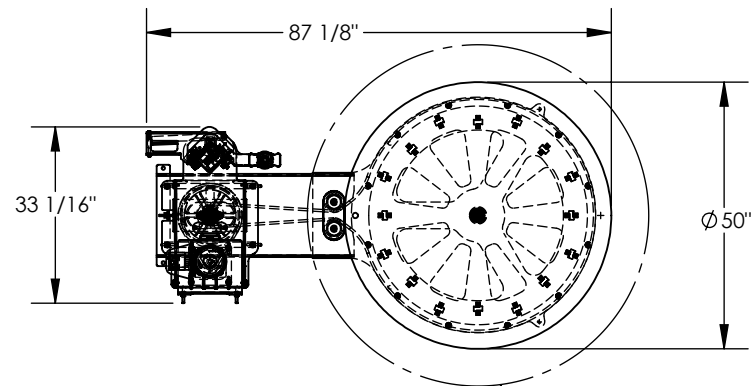


SEMI-AUTOMATIC STRETCH WRAP MACHINE - SWA-50

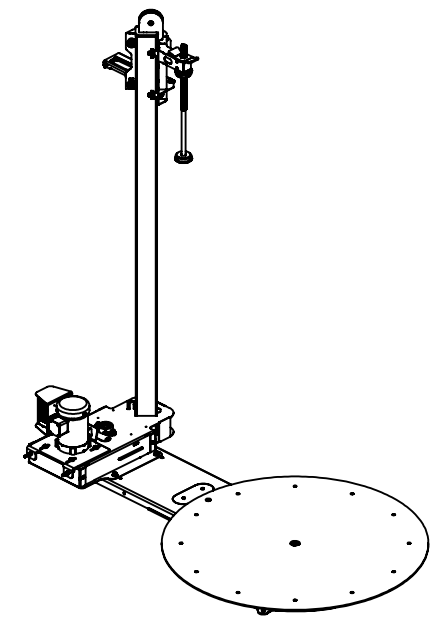
APPROX WEIGHT: 543.63 lbs.
DOES NOT INCLUDE WEIGHT OF POWER OR PACKAGING!!!

*** ANY ADDITIONS, DELETIONS, OR OMISSIONS MUST BE CORRECTED ON THIS DRAWING AS THIS DRAWING WILL BE CONSIDERED ALL INCLUSIVE ***

ALL GRAPHICS PROVIDED ARE FOR REFERENCE ONLY. IF CERTAIN DIMENSIONS ARE CRITICAL PLEASE VERIFY THOSE DIMENSIONS WITH YOUR SALESPERSON



MAX. LOAD CLEARANCE
DIAMETER 64" INCLUDES
FILM ROLL DIAMETER



3-D VIEW FOR REFERENCE

**THE USE OF A GFCI WILL REQUIRE THE USE OF A LINE-REACTOR
CONSULT YOUR LOCAL ELECTRICAL SUPPLIER FOR DETAILS**

STANDARD FEATURES

- MODEL NUMBER: SWA-50
- CAPACITY: 4000 LBS.
- TURN TABLE DIAMETER: 50"
- OVERALL LENGTH: 87 1/8"
- OVERALL HEIGHT: 92 3/8"
- MAX WRAP HEIGHT: 81 7/8"
- TURN TABLE DECK HEIGHT: 2 1/16"
- POWER INPUT: 115 V 1-PHASE
- BELT DRIVEN
- VARIABLE SPEED TURN TABLE (3-12 RPM)
- WITH SOFT START/STOP
- FOOT CONTROL FOR
- TURN TABLE ROTATION
- DECK IS TOUGH BAKED IN POWDER
- COATED YELLOW FINISH
- FRAME IS TOUGH BAKED IN POWDER
- COATED BLUE FINISH

SPECIAL FEATURES
NONE

DIMENSION TOLERANCE ± 1/4"

APPROVAL	I, THE UNDERSIGNED, AGREE THAT THE PRODUCT AS REPRESENTED SATISFIES DESIGN AND DIMENSION REQUIREMENTS. I ALSO ACKNOWLEDGE MY DUTY TO CONFIRM PRODUCT AND INSTALLATION COMPLIANCE WITH ALL APPLICABLE FEDERAL, STATE AND LOCAL REGULATIONS AND STANDARDS.	
	UNITS REQUIRING APPROVAL DRAWINGS OR MODIFIED ARE NON-RETURNABLE	
	[] As drawn [] As marked	
	Signed: _____ Date: _____	
Printed Name: _____		
LEAD TIME WILL START UPON RECEIPT OF SIGNED APPROVAL DRAWING		

FOR INTERNAL USE ONLY PROJECT SIGN OFF	
SALES	
ENG.	
FAB.	
POWER	

DISTRIBUTOR'S NAME:		P.O.#
VESTIL MANUFACTURING		X
DRAWN BY: SJA	DATE: 11/26/2014	W.O.#
REFERENCE: X	SCALE: 1:36	X
QUOTED LEAD TIME: X	QUOTE #	FILE NAME:
	X	20-007-116