

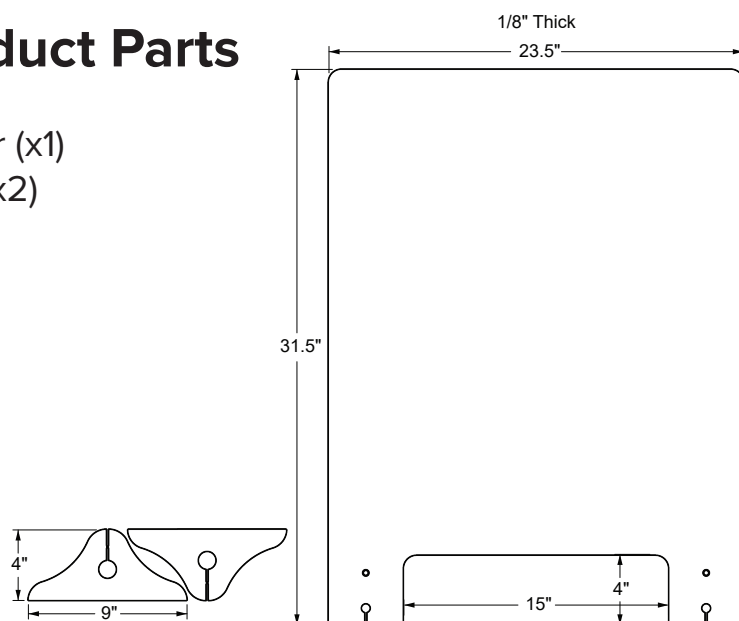
Protective Safety Barrier

Assembly & Care Instructions

SG2046B

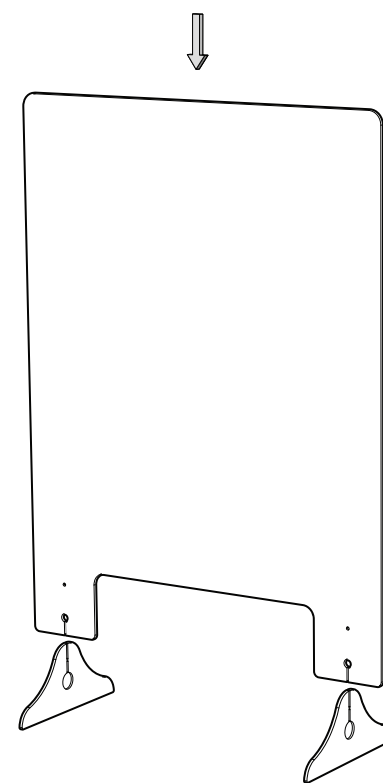
Product Parts

Barrier (x1)
Feet (x2)



How to Set-Up Your Safety Barrier

Insert one foot into each of the notches at the bottom of your barrier. Make sure that the notches on the feet are fully inserted. The ridge on each foot will lock into the small holes in the barrier.



How to Clean Your Safety Barrier

1. Clean Safety Barrier surface with Soap and Water or disinfectant detergent.
2. Spray detergent on a Soft Cloth or a Microfiber Cloth.
3. Apply mild pressure to wipe.

DO NOT USE cleaners or disinfectants containing Ammonia, Bleach or Alcohol, this may crack or fog the clear acrylic.