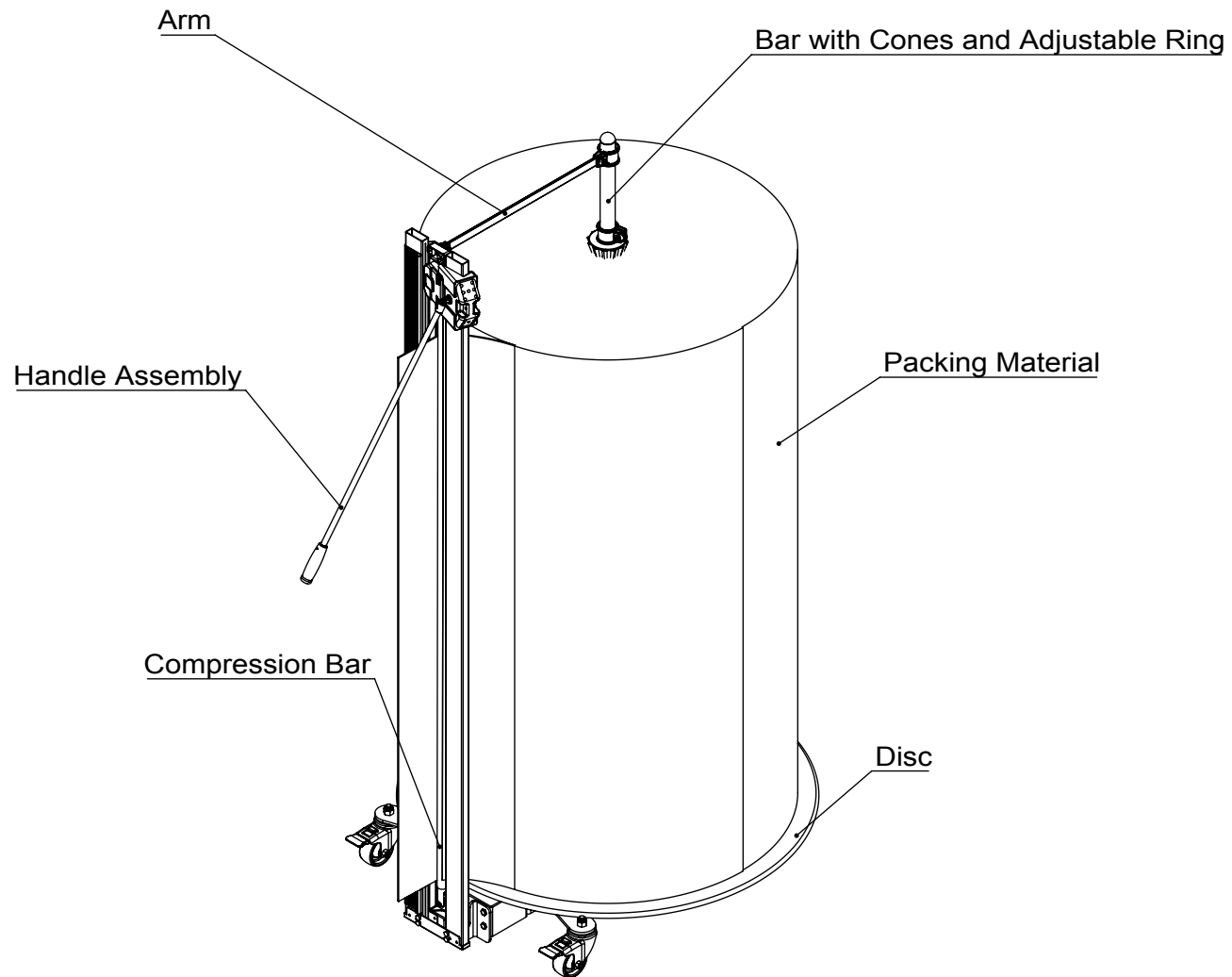


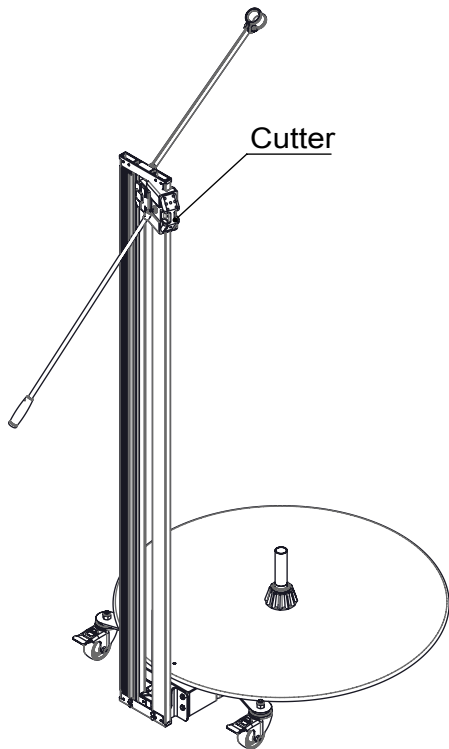
# DELUXE ROLL DOLLY



# DELUXE ROLL DOLLY

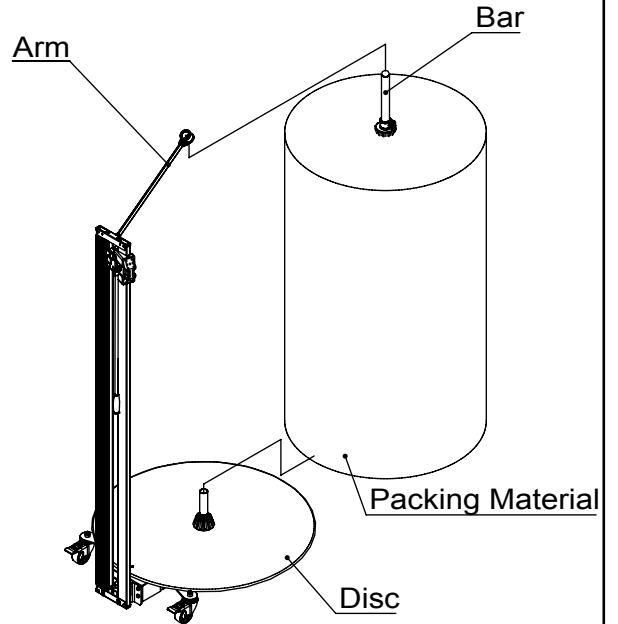
## Operating Instructions

1



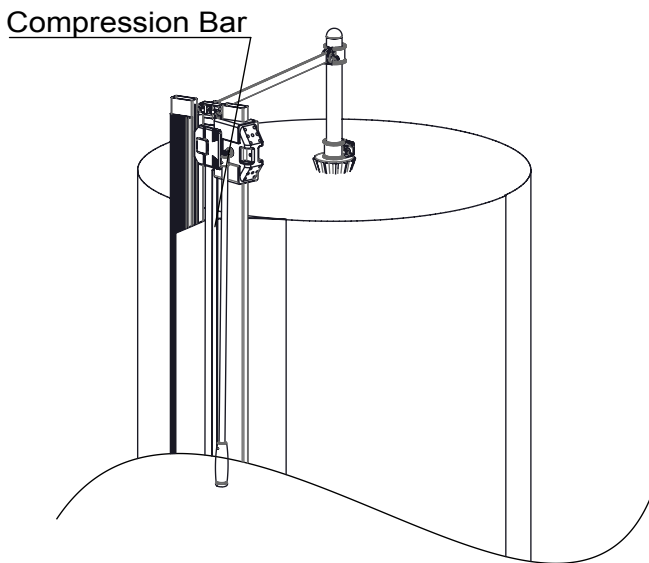
Move and push the handle to the top of tool to lock cutter set.

2



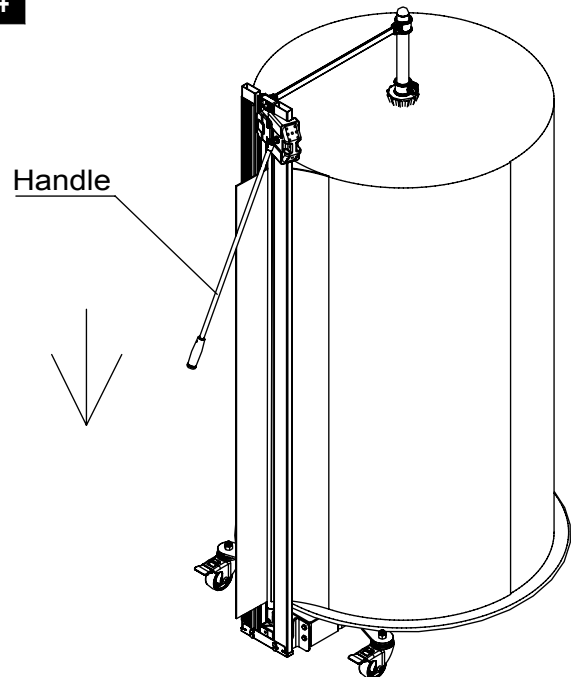
Load packing material in the bar. Secure it with cones, adjusting rings and arm as shown.

3



Lift the compression bar. Feed the material under compression bar.

4



Move handle assembly down to cut the packing material.