

# Protective Safety Barrier Assembly & Care Instructions

## SG3095U

### SG3095U

#### Tabletop Cardboard Barrier

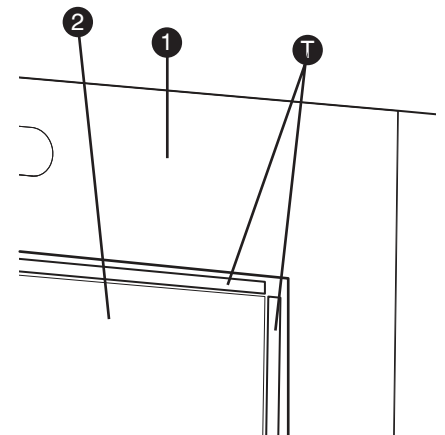
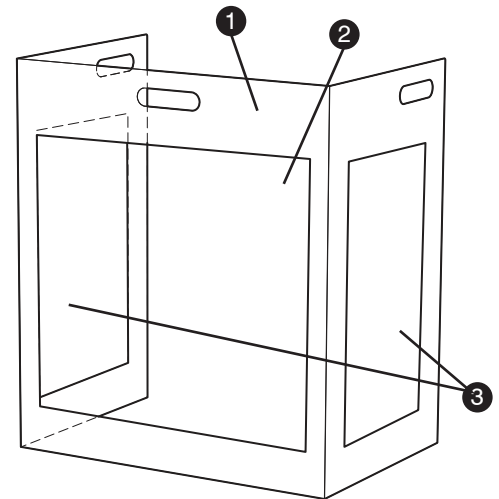


PARTS LIST		
Item	Description	Quantity
①	Cardboard Barrier - 19.75" x 23.5" x 15.5"	1
②	Large Panel - 16" x 18"	1
③	Small Panel - 10.5" x 18"	2
T	Tape Roll	1

#### Assembly Instructions:

1. Remove protective film from panels (2/3).
2. Remove backing from one side of the tape (T) and place tape around the length of the interior edge of the openings on the cardboard barrier (1) as close to the openings as possible.
3. Remove backing from the other side of the tape and carefully place the panel on the barrier; there is approximately 3/4" overlap from the opening of the barrier to each edge of the panel; tape is 1/2" wide.
4. Press down on edges of barrier to firmly secure to the tape.
5. Repeat steps 1-4 with the remaining panels.
6. Make sure that the largest panel (2) is attached to the front of the barrier and the smallest panels (3) are attached to the sides of the barrier.
7. Fold the sides of the barrier to a 90° angle, ensuring that the taped acrylic is facing inward.



#### Cleaning Instructions:

1. Clean barrier surface with soap and water or disinfectant detergent.
2. Spray detergent on a soft cloth or a microfiber cloth.
3. Apply mild pressure to wipe.

DO NOT USE cleaners or disinfectants containing ammonia, bleach or alcohol; this may cause damage to barrier. DO NOT USE cleaners on cardboard.

#### Note:

1. Protective film comes in various materials. Once removed acrylic will be clear.