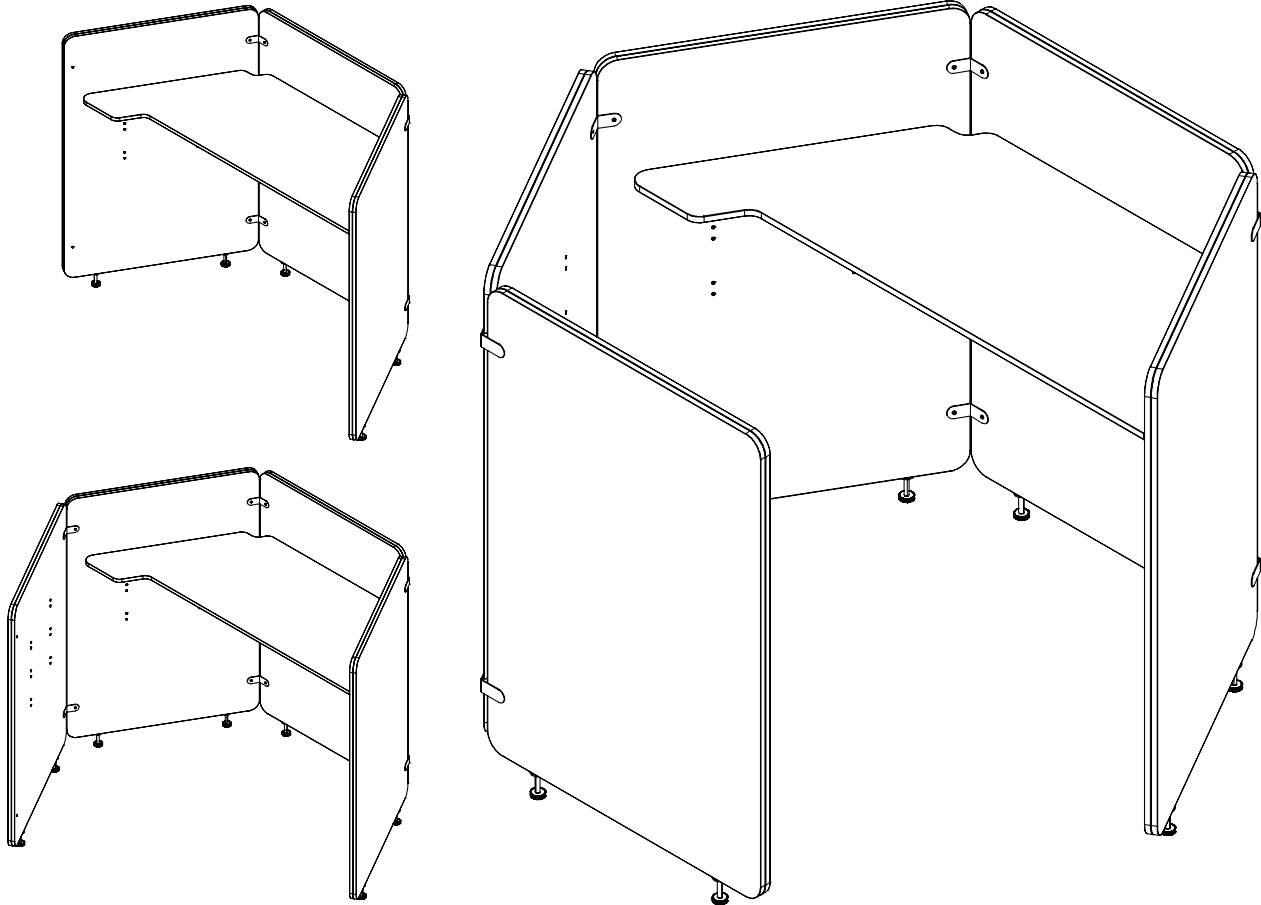


# WORKPOD - RCLMWP

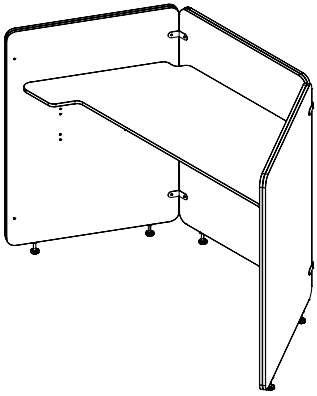


Questions or concerns?  
Contact us directly!



1-800-323-4656  
Info@LuxorWorkspaces.com

# KIT BREAKDOWN



**RCLMWP3**

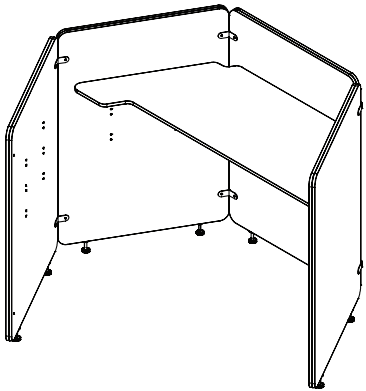
**CPPP001** (X1)

**CPPP003** (X1)

**CPPP004** OPTIONAL (X1)



You will have extra hardware



**RCLMWP4**

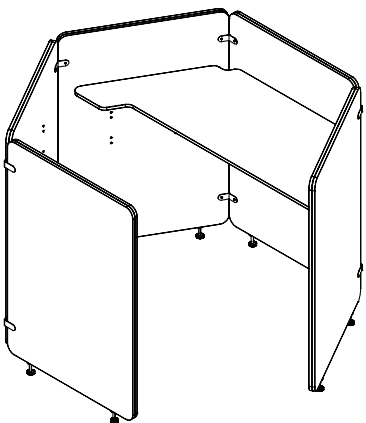
**CPPP001** (X1)

**CPPP002** (X2)

**CPPP004** OPTIONAL (X2)



You will have extra parts and hardware



**RCLMWP5**

**CPPP001** (X1)

**CPPP002** (X1)

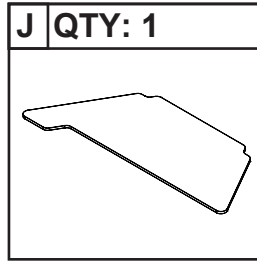
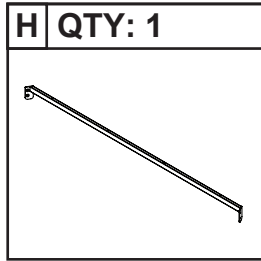
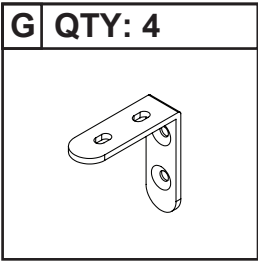
**CPPP003** (X1)

**CPPP004** OPTIONAL (X2)

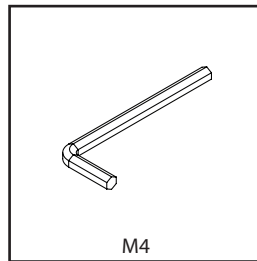
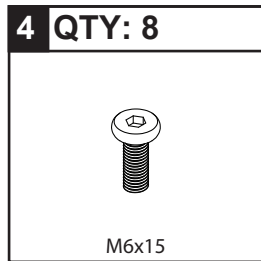
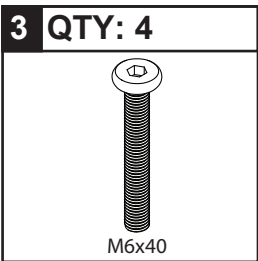


You will have extra hardware

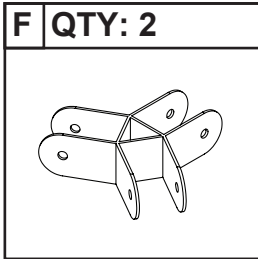
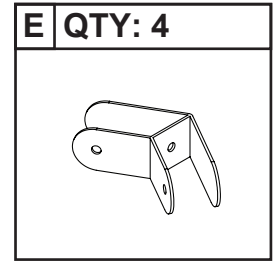
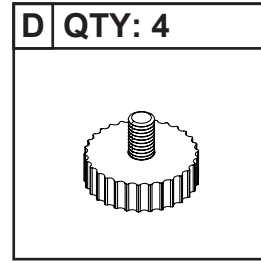
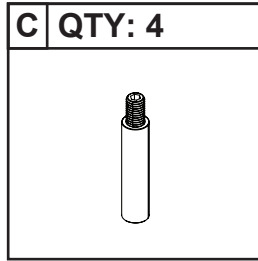
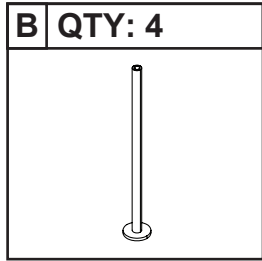
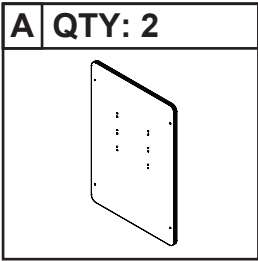
# PARTS INCLUDED NOT TO SCALE



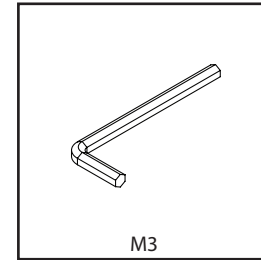
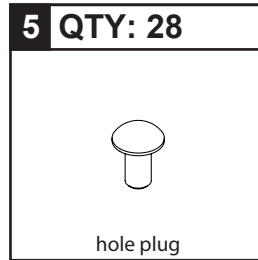
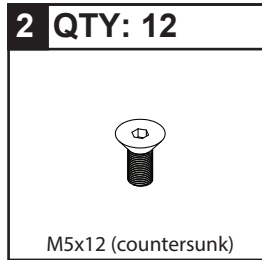
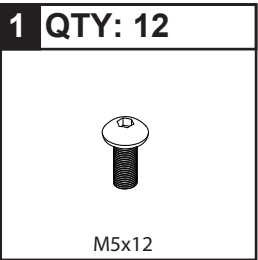
# HARDWARE INCLUDED NOT TO SCALE



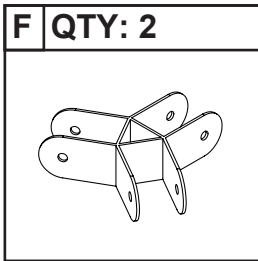
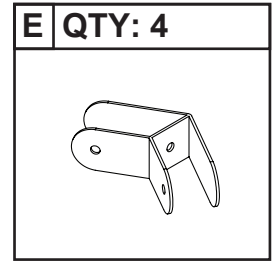
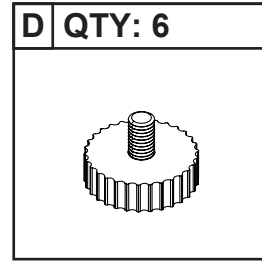
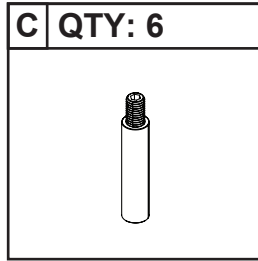
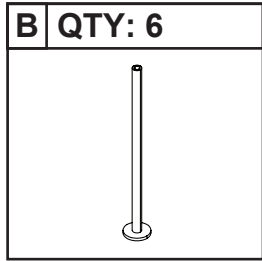
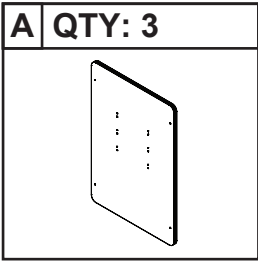
# PARTS INCLUDED NOT TO SCALE



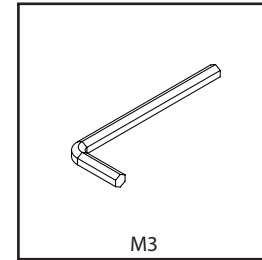
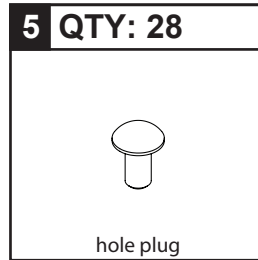
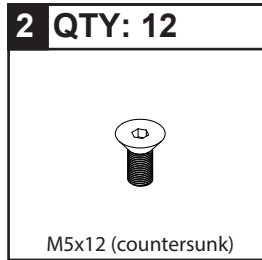
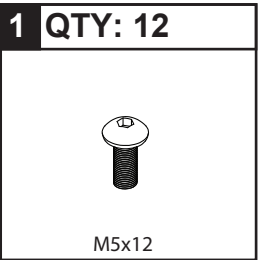
# HARDWARE INCLUDED NOT TO SCALE



# PARTS INCLUDED NOT TO SCALE

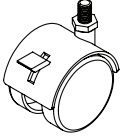


# HARDWARE INCLUDED NOT TO SCALE

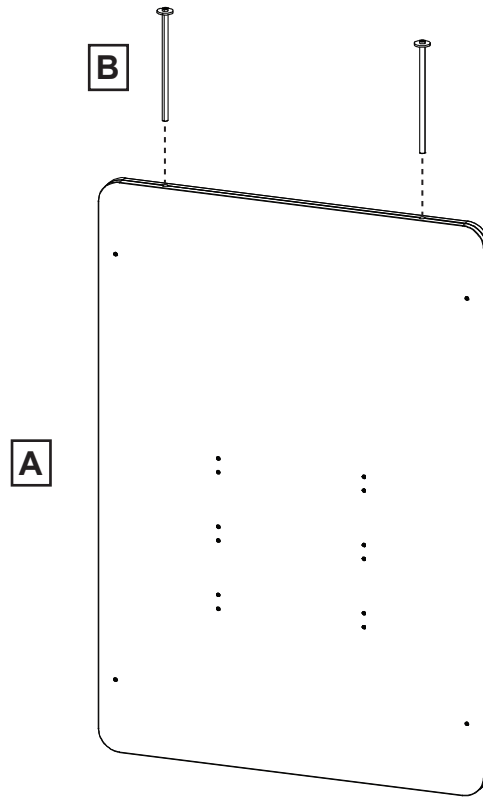


**PARTS INCLUDED** NOT TO SCALE

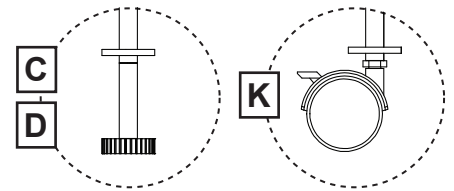
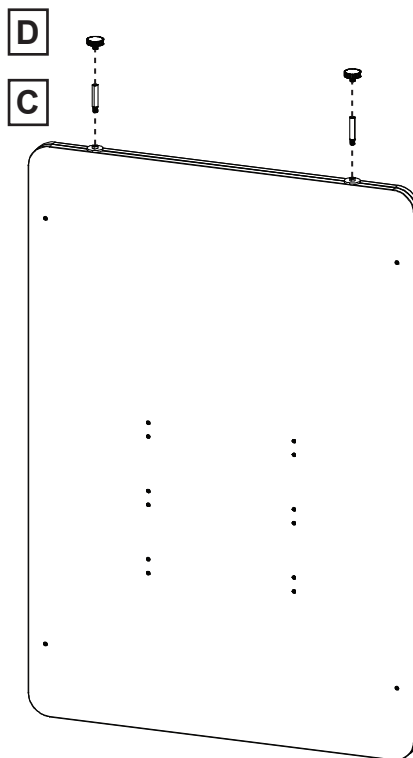
**K** QTY: 6



1

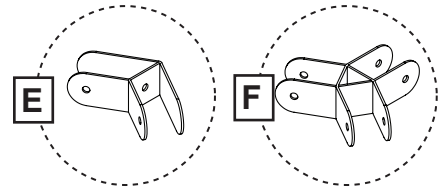


2

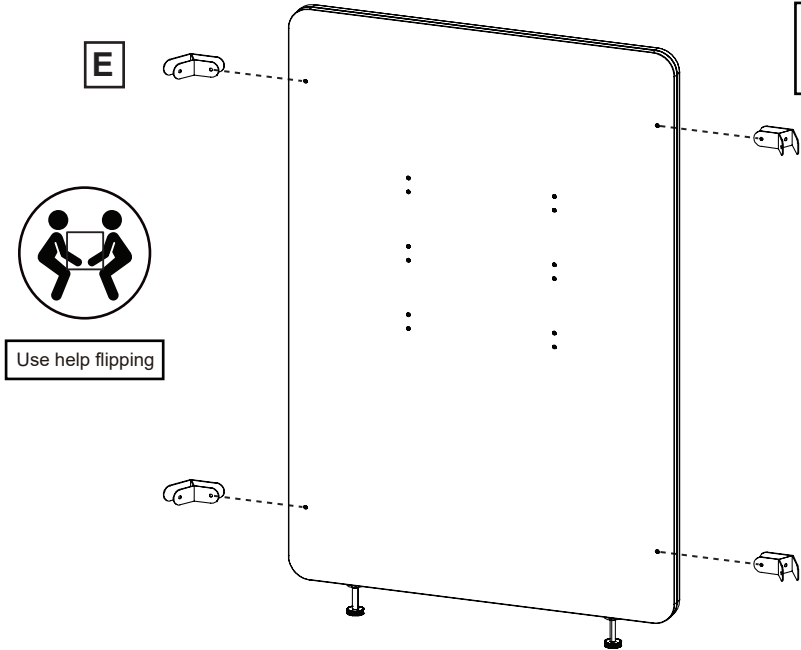


If you purchased **CPPP004**,  
(1) Part C + (1) Part D = (1) Part K  
in terms of height

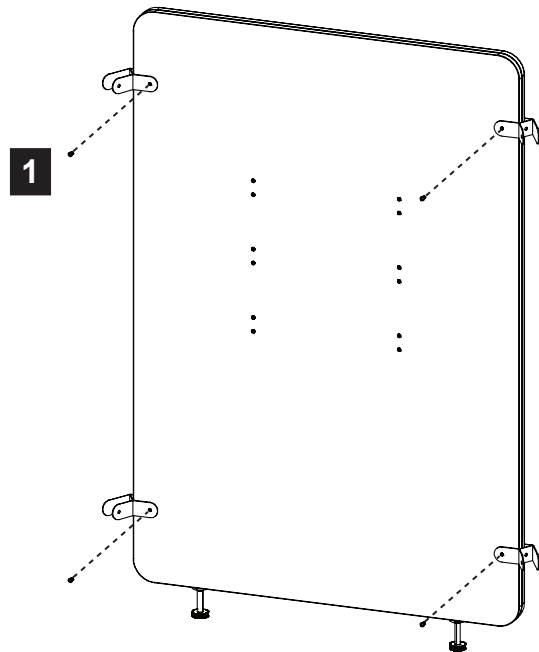
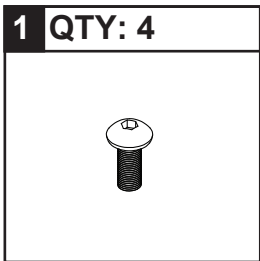
3



Combination of Part E and Part F can make various configurations, see page 11

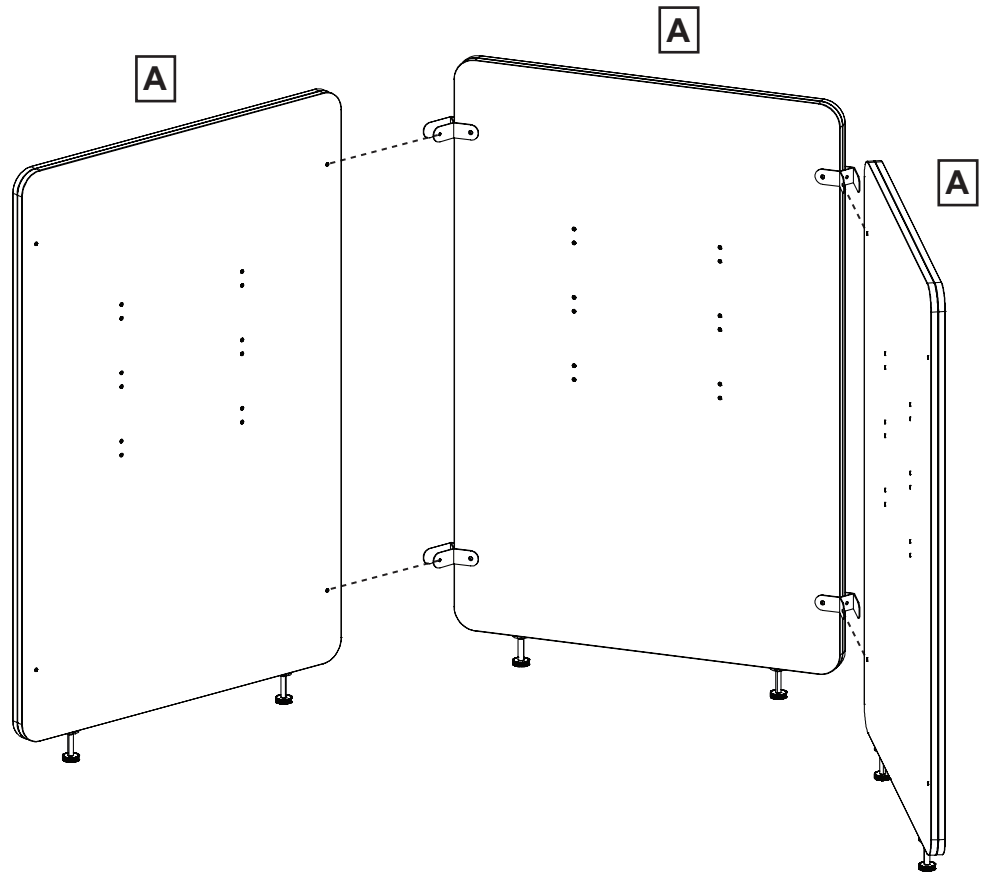


4

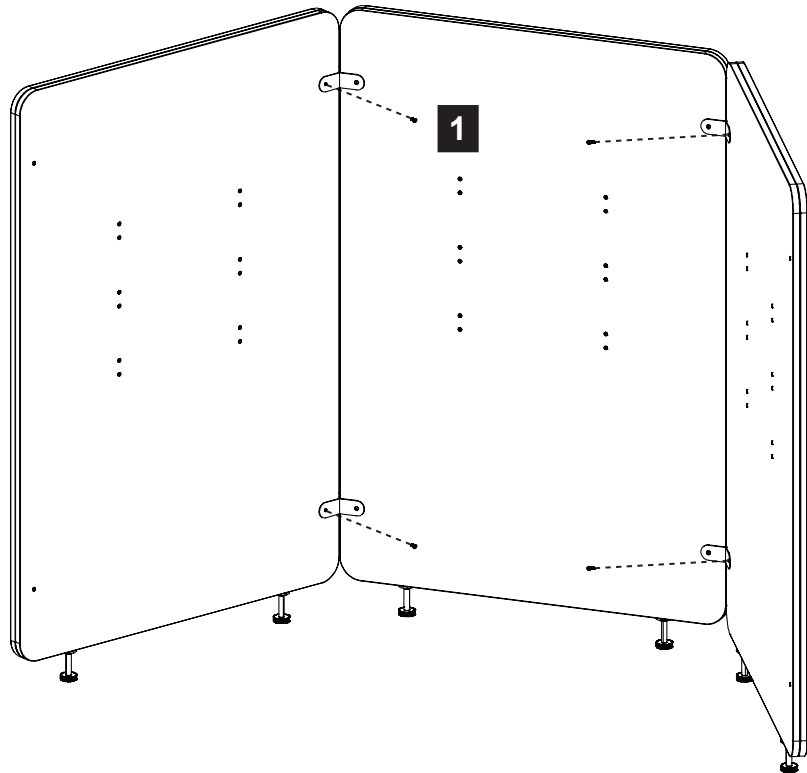
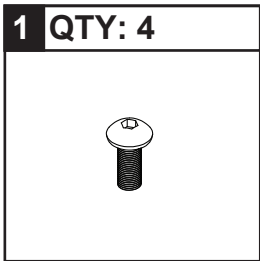




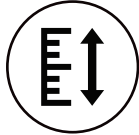
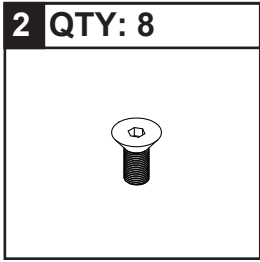
5



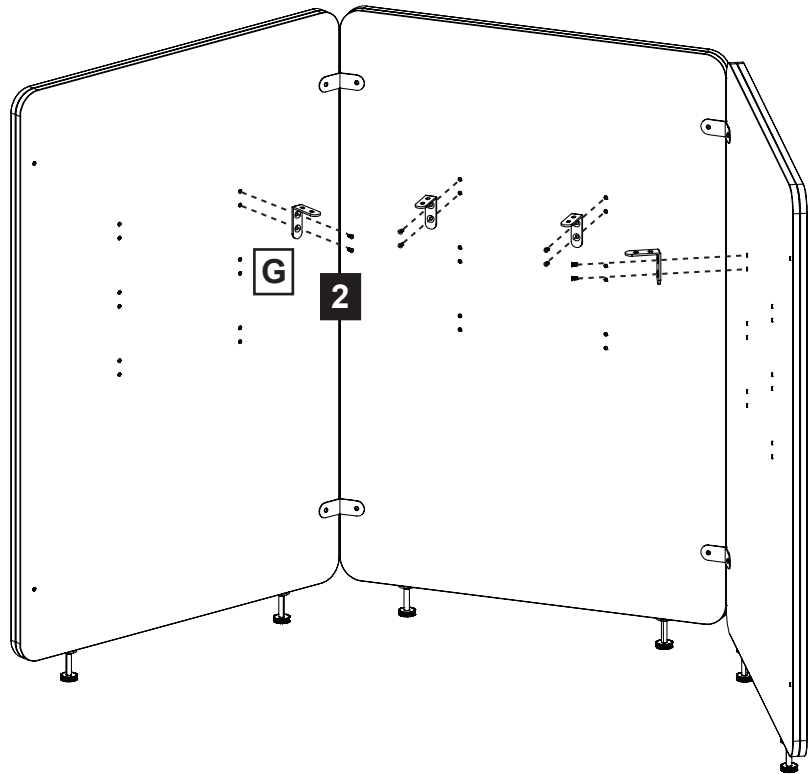
6



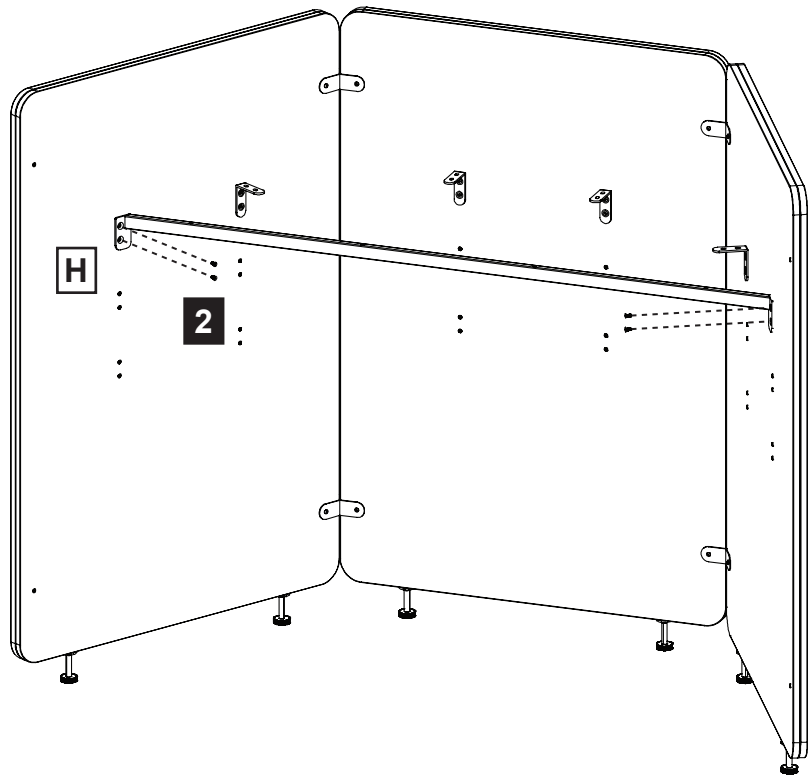
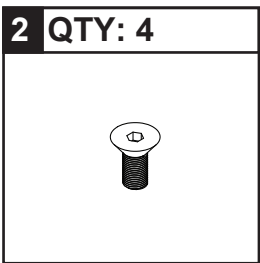
7



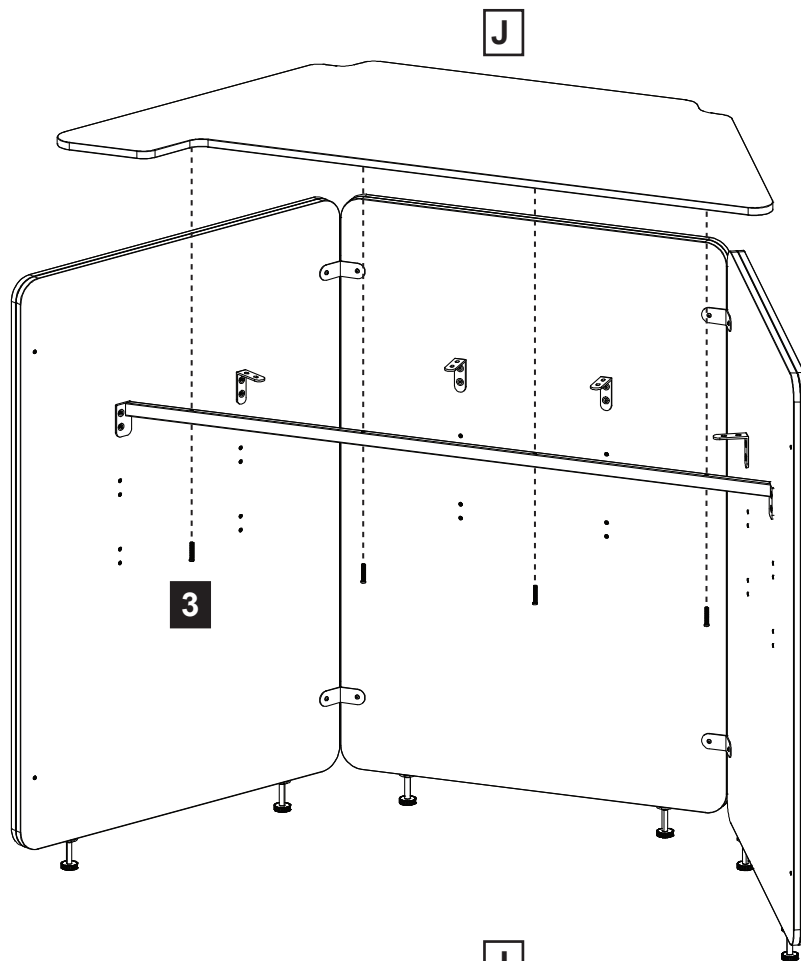
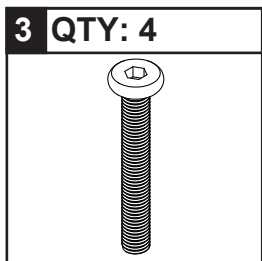
Set height



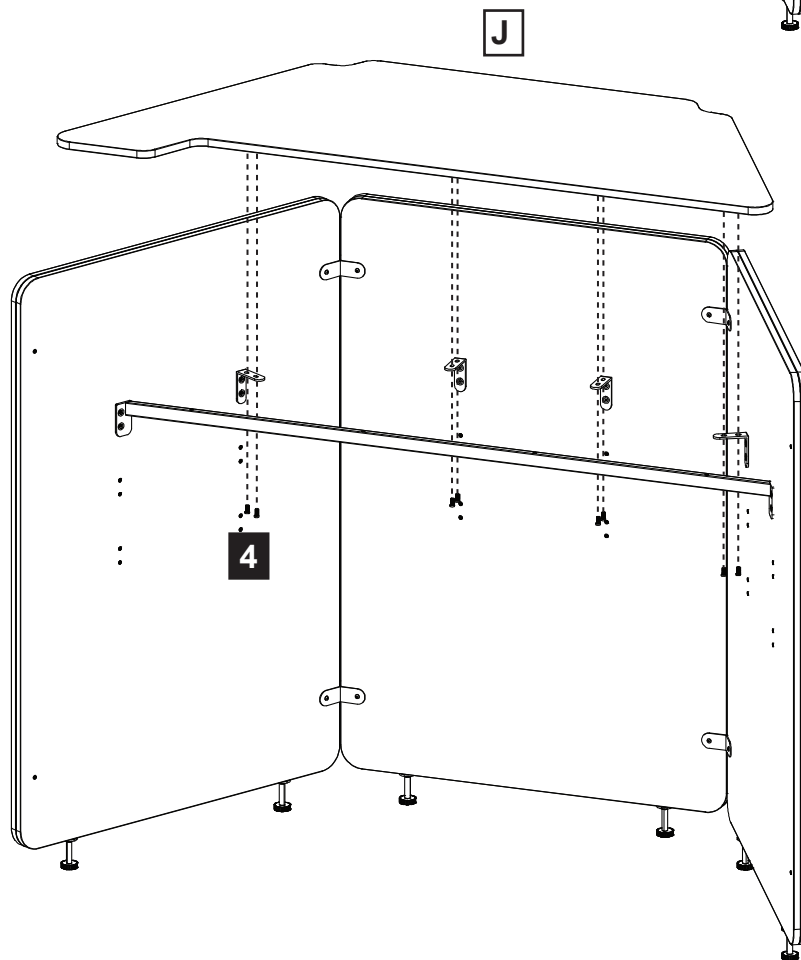
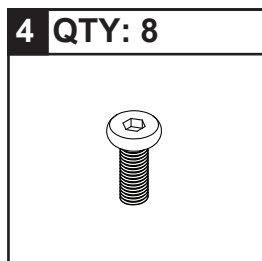
8



9A



9B



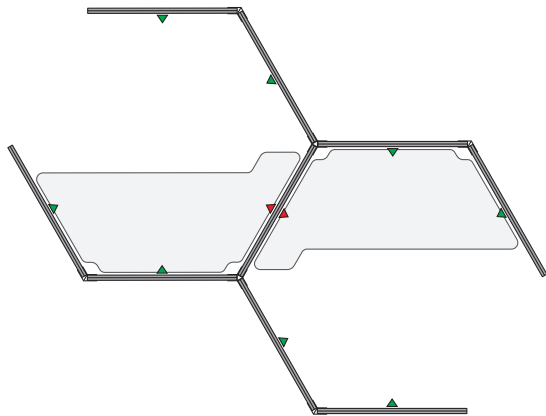
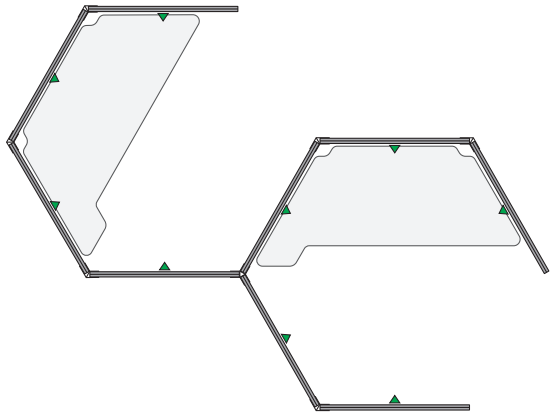
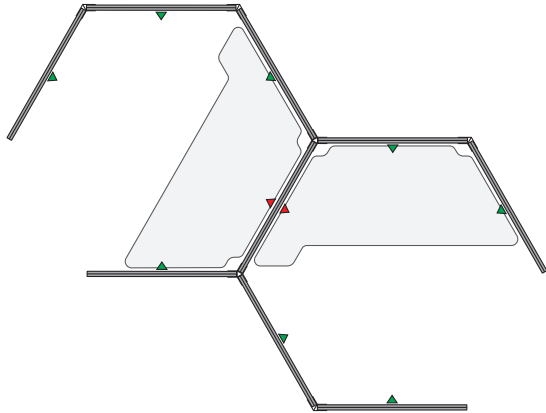
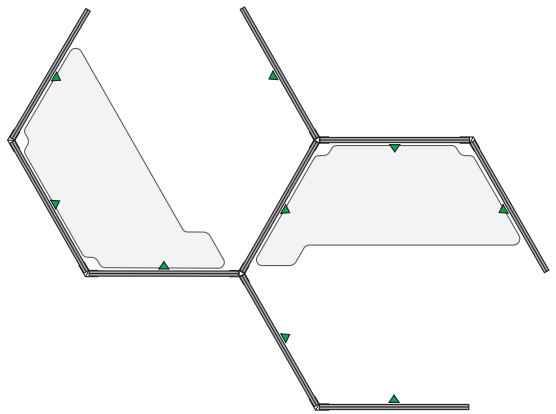
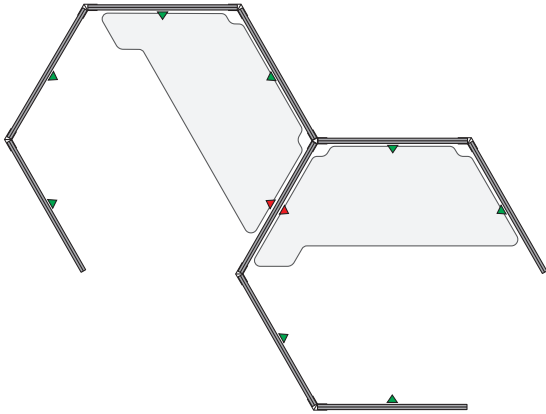


If you purchased **RCLMWP4** or **RCLMWP5**,  
Repeat previous steps as needed to add panels

# HOW TO CONNECT WORKPODS



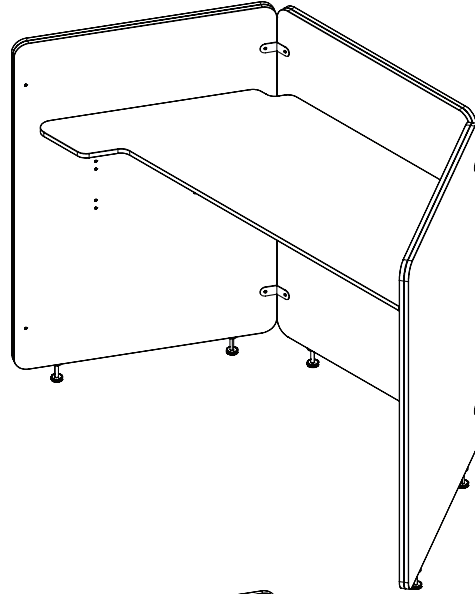
Because Part A has threaded inserts on only one side, there are restrictions to the configurations. Part J requires threaded inserts; therefore, Part A cannot be shared in some cases (noted with red arrows).



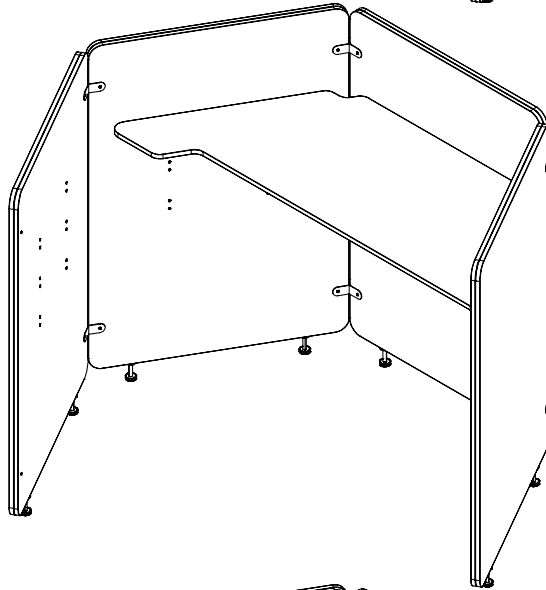
# WORKPOD KITS TO PURCHASE



Shown with (1) **RCLMWP3**  
Call for details!



Shown with (1) **RCLMWP4**  
Call for details!



Shown with (1) **RCLMWP5**  
Call for details!

