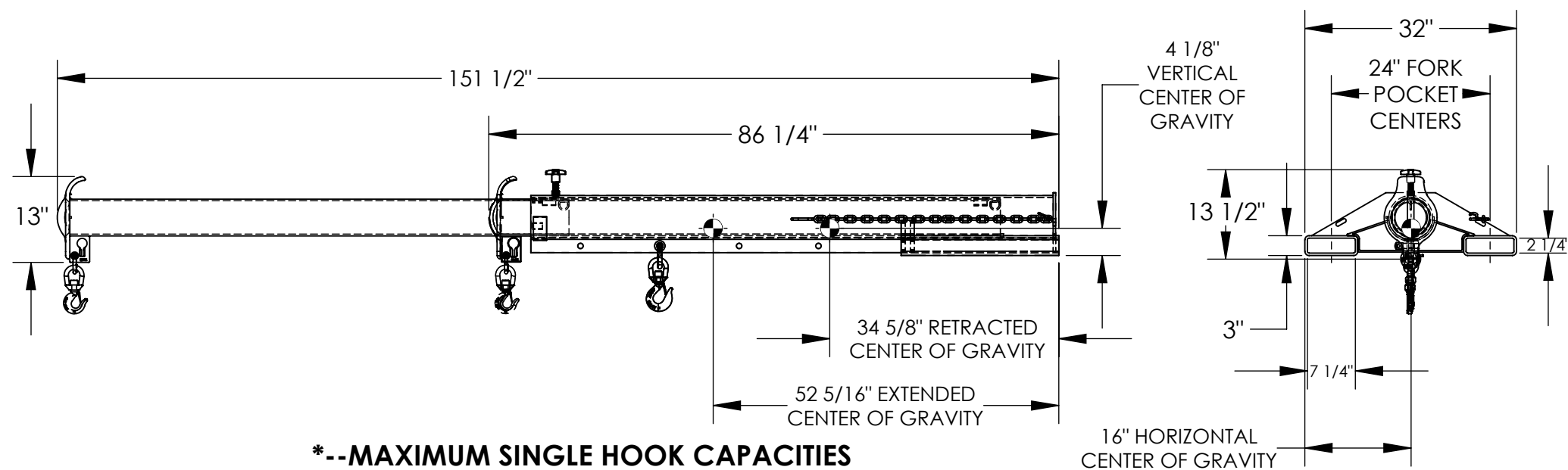


LIFT MASTER BOOM, TELESCOPING ECONOMY BOOM - LM-EBT-6-24

APPROX WEIGHT: 395.76 lbs.
 DOES NOT INCLUDE WEIGHT OF POWER OR PACKAGING !!!

*** ANY ADDITIONS, DELETIONS, OR OMISSIONS MUST BE CORRECTED ON THIS DRAWING AS THIS DRAWING WILL BE CONSIDERED ALL INCLUSIVE ***
 ALL GRAPHICS PROVIDED ARE FOR REFERENCE ONLY. IF CERTAIN DIMENSIONS ARE CRITICAL PLEASE VERIFY THOSE DIMENSIONS WITH YOUR SALESPERSON



*--MAXIMUM SINGLE HOOK CAPACITIES

| DISTANCE | 36" | 48" | 60" | 72" | 84" | 96" | 108" | 120" | 132" | 144" |
|----------|------|------|------|------|------|------|------|------|------|------|
| CAPACITY | 6000 | 5000 | 4500 | 4000 | 3500 | 3000 | 2600 | 2300 | 2000 | 1800 |

DIMENSION TOLERANCE ± 1/4"

STANDARD FEATURES

- MODEL NUMBER: LM-EBT-6-24
- CAPACITY: 6,000 LBS
- OVERALL HEIGHT - 13 1/2"
- LENGTH (RETRACTED) - 86 1/4"
- LENGTH (EXTENDED) - 151 1/2"
- OVERALL WIDTH - 32"
- USABLE FORK POCKET - 2 1/4" X 7 1/4"
- 24" FORK POCKET CENTERS
- 36" MINIMUM HOOK POINT
- 144" MAXIMUM HOOK POINT
- FRAME TOUGH BAKED IN POWDER COATED BLUE FINISH
- BOOM TOUGH BAKED IN POWDER COATED YELLOW FINISH

- APPROX. WEIGHT / LOST LOAD = 395.76
- MINIMUM EFFECTIVE THICKNESS = LESS THAN 1"
- NEVER EXCEED LOAD CENTER
- RATING PER FORKTRUCK
- MANUFACTURERS GUIDELINES.
- DO NOT USE THIS FORK TRUCK
- ATTACHMENT IF LOAD WILL EXCEED
- FORK TRUCK MANUFACTURER'S
- LOAD CENTER RATING

SPECIAL FEATURES

NONE

| | | |
|---|--|-------------|
| APPROVAL | I, THE UNDERSIGNED, AGREE THAT THE PRODUCT AS REPRESENTED SATISFIES DESIGN AND DIMENSION REQUIREMENTS. I ALSO ACKNOWLEDGE MY DUTY TO CONFIRM PRODUCT AND INSTALLATION COMPLIANCE WITH ALL APPLICABLE FEDERAL, STATE AND LOCAL REGULATIONS AND STANDARDS. | |
| | UNITS REQUIRING APPROVAL DRAWINGS OR MODIFIED ARE NON-RETURNABLE | |
| | [] As drawn [] As marked | |
| | Signed: _____ | Date: _____ |
| Printed Name: _____ | | |
| LEAD TIME WILL START UPON RECEIPT OF SIGNED APPROVAL DRAWING | | |

| | | |
|-----------------------|-----------|-----------------------|
| DISTRIBUTOR'S NAME: | | P.O.# |
| VESTIL MANUFACTURING | | X |
| DRAWN BY: B.NOTHNAGEL | | DATE: 6/23/2015 |
| REFERENCE: X | | SCALE: 1:22 |
| QUOTED LEAD TIME: X | QUOTE # X | SALES: X |
| | | FILE NAME: 08-007-002 |